

Description

The 9QXL2001B is a 20-output very-low-additive phase jitter fanout buffer for PCIe Gen4, Gen5 and UPI applications. The 9QXL2001B provides two methods to control output enables; standard OE# pins and SMBus enable bits, or a simple 3-wire serial interface that is independent of the SMBus. The OE Control Mode is set via a hardware strap. It offers integrated terminations for 85Ω transmission lines.

PCIe Clocking Architectures

- Common Clocked (CC)
- Independent Reference (IR) with and without spread spectrum

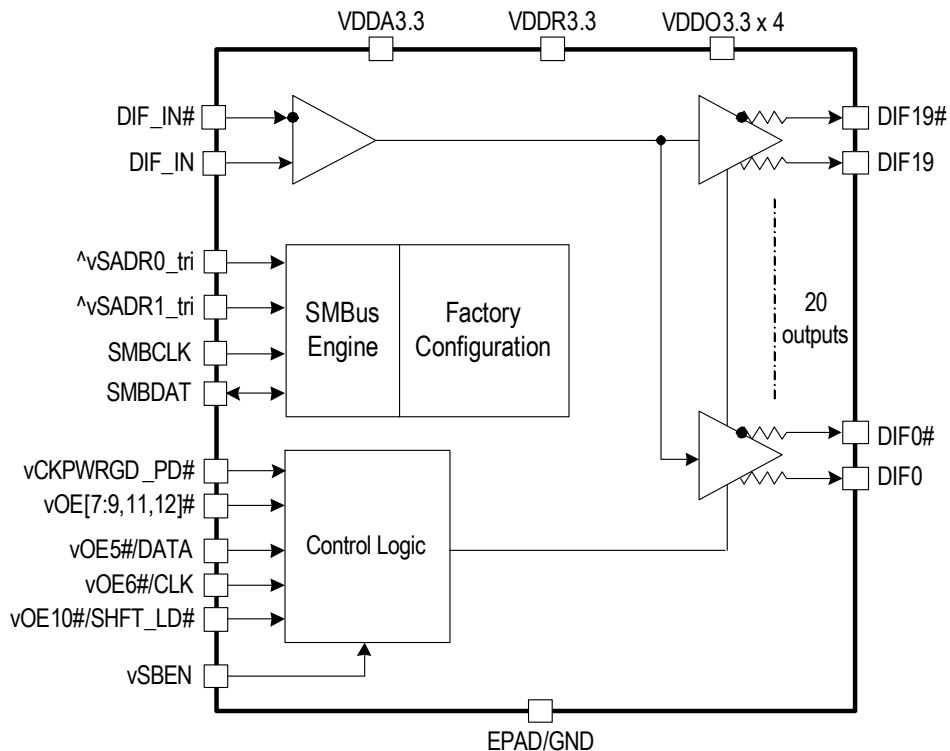
Typical Applications

- Servers, Storage, Networking, Accelerators

Key Specifications

- Output-to-output skew: < 50ps
- Additive phase jitter: DB2000Q < 40fs rms
- Additive phase jitter: PCIe Gen4 < 40fs rms
- Additive phase jitter: PCIe Gen5 < 20fs rms

Block Diagram



Features

- Two Output Enable Control modes:
 - Traditional 8 OE# pins allow hardware control of 8 outputs and 20 SMBus bits allow software control of each output
 - Simple 3-wire Side-Band Interface allows real-time control of all 20 outputs in real time
- Outputs remain Low/Low when powered up with floating input clock
- Low-Power HCSL (LP-HCSL) outputs:
 - $Z_o = 85\Omega$ outputs eliminate 80 resistors, saving 130mm² of area
 - Power consumption reduced by 50%
- 9 selectable SMBus addresses
- Spread spectrum compatible
- 6 × 6 mm dual-row 80-GQFN

Output Features

20 Low-Power HCSL (LP-HCSL) 85Ω output pairs

Contents

Description	1
PCIe Clocking Architectures	1
Typical Applications	1
Key Specifications	1
Features	1
Output Features	1
Block Diagram	1
Pin Assignments	3
Pin Descriptions	4
Output Control	7
Power Management	7
Output Enable Control on 9QXL2001B (DB2000QL)	8
Traditional Method	8
Side-Band Interface	8
Absolute Maximum Ratings	10
Thermal Characteristics	10
Electrical Characteristics	11
Test Loads	15
Alternate Terminations	16
SMBus Addressing	16
General SMBus Serial Interface Information	17
How to Write	17
How to Read	17
Package Outline Drawings	25
Marking Diagram	25
Ordering Information	25
Revision History	25

Pin Assignments

Figure 1. Pin Assignments for 6 × 6 mm 80-QFN Package – Top View

	1	2	3	4	5	6	7	8	9	10	11	12									
A	DIF17	DIF16#	DIF16	DIF15#	DIF15	DIF14#	DIF14	DIF13#	DIF13	DIF12#	DIF12	DIF11#	A								
B	DIF17#	VDDO3.3	NC	[^] vSADR0_tri	NC	VDDA3.3	NC	[^] vSADR1_tri	NC	vOE12#	VDDO3.3	DIF11	B								
C	DIF18	NC	<div style="border: 1px solid black; padding: 10px; text-align: center;"> <p>9QXL2001 6 x 6 mm, x 0.5mm pitch 80-QFN Package Top View EPAD is GND</p> </div>								vOE11#	DIF10#	C								
D	DIF18#	NC									NC	DIF10	D								
E	DIF19	vSBEN									vOE10#/SHF T_LD#	vOE9#	E								
F	DIF19#	NC									NC	DIF9#	F								
G	DIF_IN	NC									NC	DIF9	G								
H	DIF_IN#	VDDR3.3									vOE8#	DIF8#	H								
J	DIF0	NC									NC	DIF8	J								
K	DIF0#	NC									vOE7#	DIF7#	K								
L	DIF1	VDDO3.3									NC	SMBDAT	SMBCLK	NC	NC	vOE5#/DATA	NC	vOE6#/CLK	VDDO3.3	DIF7	L
M	DIF1#	DIF2									DIF2#	DIF3	DIF3#	vCKPWRGD _PD#	DIF4	DIF4#	DIF5	DIF5#	DIF6	DIF6#	M
	1	2	3	4	5	6	7	8	9	10	11	12									

Note: Pins with ^ prefix have internal pull-up resistor.
 Pins with v prefix have internal pull-down resistor.
 Pins with [^]v prefix have internal pull-up/pull-down resistor network biasing input to VDD/2.

Pin Descriptions

Table 1. Pin Descriptions

Number		Name	Type	Description
A	1	DIF17	Output	Differential true clock output.
A	2	DIF16#	Output	Differential complementary clock output.
A	3	DIF16	Output	Differential true clock output.
A	4	DIF15#	Output	Differential complementary clock output.
A	5	DIF15	Output	Differential true clock output.
A	6	DIF14#	Output	Differential complementary clock output.
A	7	DIF14	Output	Differential true clock output.
A	8	DIF13#	Output	Differential complementary clock output.
A	9	DIF13	Output	Differential true clock output.
A	10	DIF12#	Output	Differential complementary clock output.
A	11	DIF12	Output	Differential true clock output.
A	12	DIF11#	Output	Differential complementary clock output.
B	1	DIF17#	Output	Differential complementary clock output.
B	2	VDDO3.3	Power	Power supply for outputs. Nominally 3.3V.
B	3	NC	—	No connection.
B	4	\wedge vSADR0_tri	Input	SMBus address bit. This is a tri-level input that works in conjunction with other SADR pins, if present, to decode SMBus addresses. It has internal pull-up/down resistors to bias to $V_{DD}/2$. See the SMBus Address Selection table.
B	5	NC	—	No connection.
B	6	VDDA3.3	Power	3.3V power for the PLL core.
B	7	NC	—	No connection.
B	8	\wedge vSADR1_tri	Input	SMBus address bit. This is a tri-level input that works in conjunction with other SADR pins, if present, to decode SMBus addresses. It has internal pull-up/down resistors to bias to $V_{DD}/2$. See the SMBus Address Selection table.
B	9	NC	—	No connection.
B	10	vOE12#	Input	Active low input for enabling output 12. This pin has an internal pull-down. 1 = disable output, 0 = enable output.
B	11	VDDO3.3	Power	Power supply for outputs. Nominally 3.3V.
B	12	DIF11	Output	Differential true clock output.
C	1	DIF18	Output	Differential true clock output.
C	2	NC	—	No connection.
C	11	vOE11#	Input	Active low input for enabling output 11. This pin has an internal pull-down. 1 = disable output, 0 = enable output.
C	12	DIF10#	Output	Differential complementary clock output.
D	1	DIF18#	Output	Differential complementary clock output.
D	2	NC	—	No connection.

Table 1. Pin Descriptions (Cont.)

Number		Name	Type	Description
D	11	NC	—	No connection.
D	12	DIF10	Output	Differential true clock output.
E	1	DIF19	Output	Differential true clock output.
E	2	vSBEN	Input	Input that enables the Side-Band Interface for controlling output enables. This pin disables the output enable pins when asserted. It has an internal pull-down resistor. 0 = OE pins and SMBus enable bits control outputs, Side-band interface disabled. 1 = Side-Band Interface controls output enables, OE pins and SMBus enable bits are disabled.
E	11	vOE10#/SHFT_LD#	Input	Active low input for enabling output 10 or SHFT_LD# pin for the Side-Band Interface. Refer to the Side-Band Interface section for details. This pin has an internal pull-down. OE mode: 1 = disable output, 0 = enable output. Side-Band Mode: 1 = enable Side-Band Interface shift register, 0 = disable Side-Band Interface shift register. A falling edge transfers Side-Band shift register contents to output register.
E	12	vOE9#	Input	Active low input for enabling output 9. This pin has an internal pull-down. 1 = disable output, 0 = enable output.
F	1	DIF19#	Output	Differential complementary clock output.
F	2	NC	—	No connection.
F	11	NC	—	No connection.
F	12	DIF9#	Output	Differential complementary clock output.
G	1	DIF_IN	Input	HCSL true input.
G	2	NC	—	No connection.
G	11	NC	—	No connection.
G	12	DIF9	Output	Differential true clock output.
H	1	DIF_IN#	Input	HCSL complementary input.
H	2	VDDR3.3	Power	Power supply for differential input clock (receiver). This V _{DD} should be treated as an analog power rail and filtered appropriately. Nominally 3.3V.
H	11	vOE8#	Input	Active low input for enabling output 8. This pin has an internal pull-down. 1 = disable output, 0 = enable output.
H	12	DIF8#	Output	Differential complementary clock output.
J	1	DIF0	Output	Differential true clock output.
J	2	NC	—	No connection.
J	11	NC	—	No connection.
J	12	DIF8	Output	Differential true clock output.
K	1	DIF0#	Output	Differential complementary clock output.
K	2	NC	—	No connection.
K	11	vOE7#	Input	Active low input for enabling output 7. This pin has an internal pull-down. 1 = disable output, 0 = enable output.

Table 1. Pin Descriptions (Cont.)

Number		Name	Type	Description
K	12	DIF7#	Output	Differential complementary clock output.
L	1	DIF1	Output	Differential true clock output.
L	2	VDDO3.3	Power	Power supply for outputs. Nominally 3.3V.
L	3	NC	N/A	No connection.
L	4	SMBDAT	I/O	Data pin of SMBUS circuitry.
L	5	SMBCLK	Input	Clock pin of SMBUS circuitry.
L	6	NC	—	No connection.
L	7	NC	—	No connection.
L	8	vOE5#/DATA	Input	Active low input for enabling output 5 or the data pin for the Side-Band Interface. Refer to the Side-Band Interface section for details. This pin has an internal pull-down. OE mode: 1 = disable output, 0 = enable output. Side-Band mode: Data pin.
L	9	NC	—	No connection.
L	10	vOE6#/CLK	Input	Active low input for enabling output 6 or the clock pin for the Side-Band Interface shift register. Refer to the Side-Band Interface section for details. This pin has an internal pull-down. OE mode: 1 = disable output, 0 = enable output. Side Band mode: Clocks data into the Side-Band Interface shift register on the rising edge.
L	11	VDDO3.3	Power	Power supply for outputs. Nominally 3.3V.
L	12	DIF7	Output	Differential true clock output.
M	1	DIF1#	Output	Differential complementary clock output.
M	2	DIF2	Output	Differential true clock output.
M	3	DIF2#	Output	Differential complementary clock output.
M	4	DIF3	Output	Differential true clock output.
M	5	DIF3#	Output	Differential complementary clock output.
M	6	vCKPWRGD_PD#	Input	Input notifies device to sample latched inputs and start up on first high assertion. Low enters Power Down mode, subsequent high assertions exit Power Down mode. This pin has internal pull-down resistor.
M	7	DIF4	Output	Differential true clock output.
M	8	DIF4#	Output	Differential complementary clock output.
M	9	DIF5	Output	Differential true clock output.
M	10	DIF5#	Output	Differential complementary clock output.
M	11	DIF6	Output	Differential true clock output.
M	12	DIF6#	Output	Differential complementary clock output.
—		EPAD	GND	Connect EPAD to ground.

Output Control

Table 2. Output Control (SBEN = 0)

		Traditional Interface		Side Band Interface		Outputs
CKPWRGD_PD#	DIF_IN	OEx bit Byte[2:0]	OEx# Pin	MASKx Byte[10:8]	Qx	DIFx
0	X	X	X	X	X	Low/Low
1	Running	0	X	X	X	Low/Low
		1	0	X	X	Running
		1	1	X	X	Low/Low
1	Stopped	1	0	X	X	Stopped
		1	1	X	X	Low/Low

Table 3. Output Control (SBEN = 1)

		Traditional Interface		Side Band Interface		Outputs
CKPWRGD_PD#	DIF_IN	OEx bit Byte[2:0]	OEx# Pin	MASKx Byte[10:8]	Qx	DIFx
0	X	X	X	X	X	Low/Low
1	Running	X	X	0	0	Low/Low
		X	X	0	1	Running
		X	X	1	X	Running
1	Stopped	X	X	0	0	Low/Low
		X	X	0	1	Stopped
		X	X	1	X	Stopped

Power Management

Table 4. Power Connections

Pin Number		Description
V _{DD}	GND	
B6, H2	EPAD	Analog
B2, B11, L2, L11	EPAD	Outputs

Output Enable Control on 9QXL2001B (DB2000QL)

Traditional Method

The 20-output 9QXL2001B has two methods for enabling and disabling outputs. The first is the traditional method of OE# pins and SMBus output enable bits. Outputs 5 through 12 have dedicated output enable pins and each of the 20 outputs have dedicated SMBus output enable bits in Bytes[0:2] of the SMBus register set.

Side-Band Interface

The second method is a simple 3-wire serial interface referred to as the Side-Band Interface (SBI). This interface consists of DATA, CLK and SHFT_LD# pins. When the SHFT_LD# pin is high, the rising edge of CLK can shift DATA into the shift register. After shifting data, the falling edge of SHFT_LD# clocks the shift register contents to the Output register.

Both the SBI and the traditional interface feed common output enable/disable synchronization logic ensuring glitch free enable and disable of outputs, regardless of the method used.

Both interfaces are not active at the same time, and the SBEN pin selects which interface is active. Tying the SBEN high enables the SBI. Tying the SBEN pin low enables the traditional OE# pin/SMBus output enable interface. When the SBI is enabled, OE[7:9, 11,12]# are disabled and DATA, CLK and SHFT_LD# are enabled on OE5#, OE6# and OE10# respectively. Additionally, SMBus registers for masking off the disable function of the shift register (0 value of a bit) become active. When set to a one, the mask register forces its respective output to 'enabled'. This prevents accidentally disabling critical outputs when using the SBI.

An SMBus read back bit in Byte 4 indicates which output enable control interface is enabled.

When the SBI is enabled, and power has been applied, the SBI is active, even if the CKPWRGD_PD# pin indicates the part is in power down. This allows loading the shift register and transferring the contents to the output register before the assertion of CKPWRGD. Note that the mask registers are part of the normal SMBus interface and cannot be accessed when the CKPWRGD_PD# is low. Figure 1 provides a functional description of the SBI.

The SBI and the traditional SMBus output enable registers both default to the 'output enabled' state at power-up. The mask registers default to zero at power-up, allowing the shift register bits to disable their respective output. See [Figure 2](#).

Figure 2. Side Band Interface Control Logic – Functional Description

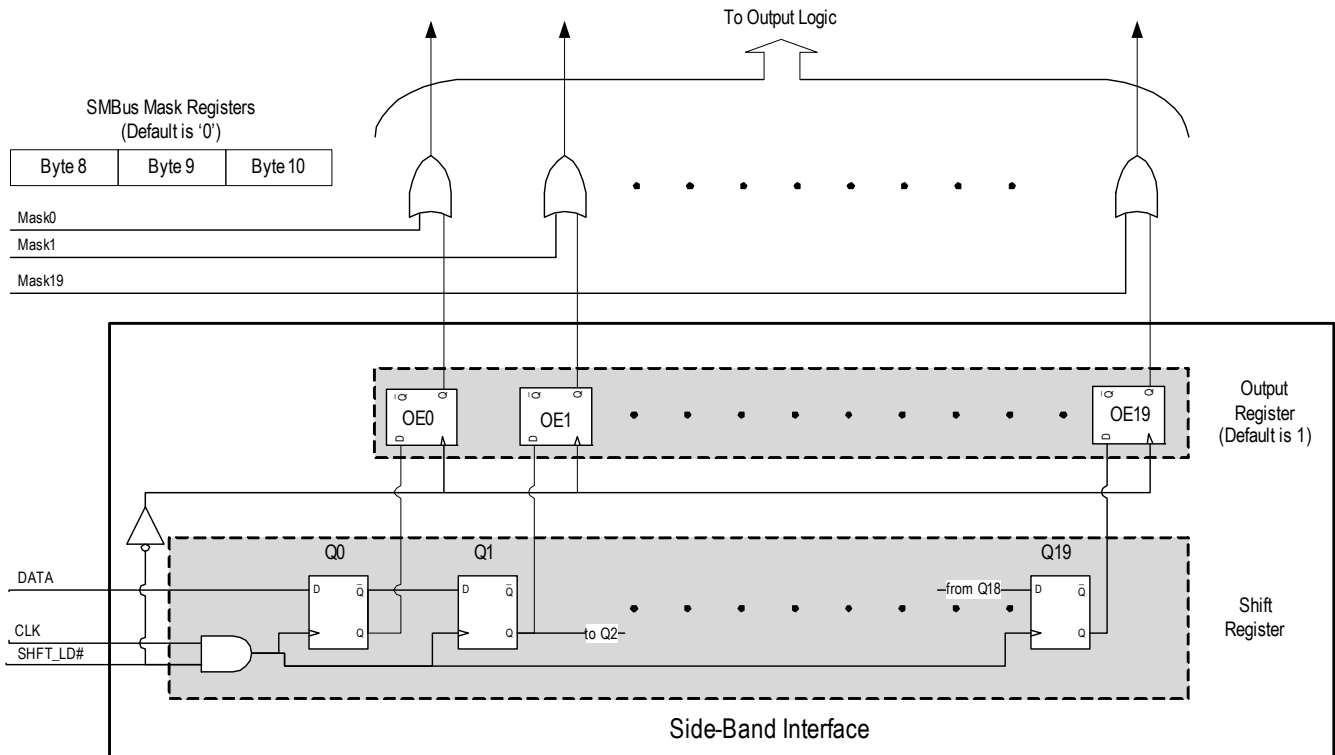
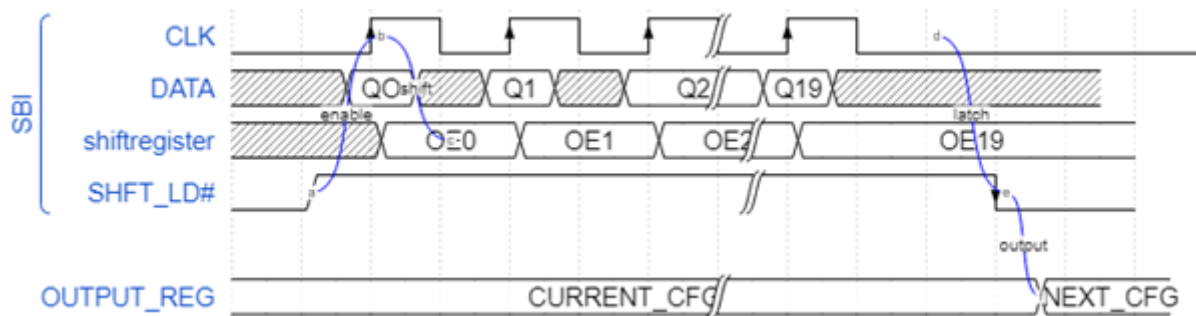


Figure 3 shows the basic timing of the side-band interface. The SHFT_LD# pin goes high to enable the CLK input. Next, the rising edge of CLK clocks enable DATA into the shift register. After the 20th clock for output 19, stop the clock low and drive the SHFT_LD# pin low. The falling edge of SHFT_LD# clocks the shift register contents to the output register, enabling or disabling the outputs. Always shift 20 bits of data into the shift register to control the outputs.

Figure 3. Side Band Interface Functional Timing



The SBI interface supports clock rates up to 10MHz. Multiple devices may share CLK and DATA pins. Dedicating a SHFT_LD# pin to each device allows its use as a chip-select pin. When the SHFT_LD# pin is low, the 9QXL2001 ignores any activity on the CLK and DATA pins.

Absolute Maximum Ratings

The absolute maximum ratings are stress ratings only. Stresses greater than those listed below can cause permanent damage to the device. Functional operation of the 9QXL2001B at absolute maximum ratings is not implied. Exposure to absolute maximum rating conditions may affect device reliability.

Table 5. Absolute Maximum Ratings

Parameter	Symbol	Conditions	Minimum	Typical	Maximum	Units	Notes
Supply Voltage	V_{DDx}				3.9	V	1,2
Input Low Voltage	V_{IL}		GND - 0.5			V	1
Input High Voltage	V_{IH}	Except for SMBus interface.			$V_{DD} + 0.5$	V	1,3
Input High Voltage	V_{IHSMB}	SMBus clock and data pins.			3.9	V	1
Storage Temperature	T_S		-65		150	°C	1
Junction Temperature	T_J	Maximum operating junction temperature.			125	°C	1
Input ESD Protection	ESD Prot	Human Body Model.	2500			V	1

¹ Guaranteed by design and characterization, not 100% tested in production.

² Operation under these conditions is neither implied nor guaranteed.

³ Not to exceed 3.9V.

Thermal Characteristics

Table 6. Thermal Characteristics

Parameter	Symbol	Conditions	Package	Typical Value	Units	Notes
Thermal Resistance	θ_{JC}	Junction to case.	NHG80	44	°C/W	1
	θ_{Jb}	Junction to base.		2	°C/W	1
	θ_{JA0}	Junction to air, still air.		33	°C/W	1
	θ_{JA1}	Junction to air, 1 m/s air flow.		29	°C/W	1
	θ_{JA3}	Junction to air, 3 m/s air flow.		28	°C/W	1
	θ_{JA5}	Junction to air, 5 m/s air flow.		27	°C/W	1

¹ EPAD soldered to board.

Electrical Characteristics

$T_A = T_{AMB}$. Supply voltages per normal operation conditions; see [Test Loads](#) for loading conditions.

Table 7. SMBus

Parameter	Symbol	Conditions	Minimum	Typical	Maximum	Units	Notes
SMBus Input Low Voltage	V_{ILSMB}				0.8	V	
SMBus Input High Voltage	V_{IHSMB}		2.1		V_{DDSMB}	V	
SMBus Output Low Voltage	V_{OLSMB}	At I_{PULLUP} .			0.4	V	
SMBus Sink Current	I_{PULLUP}	At V_{OL} .	4			mA	
Nominal Bus Voltage	V_{DDSMB}		2.7		3.6	V	1
SCLK/SDATA Rise Time	t_{RSMB}	(Max $V_{IL} - 0.15V$) to (Min $V_{IH} + 0.15V$).			1000	ns	1
SCLK/SDATA Fall Time	t_{FSMB}	(Min $V_{IH} + 0.15V$) to (Max $V_{IL} - 0.15V$).			300	ns	1
SMBus Operating Frequency	f_{SMB}	SMBus operating frequency.			400	kHz	5

¹ Guaranteed by design and characterization, not 100% tested in production.

² Control input must be monotonic from 20% to 80% of input swing.

³ Time from deassertion until outputs are > 200mV.

⁴ DIF_IN input.

⁵ The device must be powered up with CKPWRGD_PD# = '1' for the SMBus to be active

Table 8. DIF_IN Clock Input Parameters

Parameter	Symbol	Conditions	Minimum	Typical	Maximum	Units	Notes
Input Crossover Voltage – DIF_IN	V_{CROSS}	Crossover voltage.	100		900	mV	1
Input Swing – DIF_IN	V_{SWING}	Differential value.	200			mV	1
Input Slew Rate – DIF_IN	dv/dt	Measured differentially.	0.7			V/ns	1,2
Input Leakage Current	I_{IN}	CLK_IN#, $V_{IN} = 0.8V$, CLK_IN, $V_{IN} = V_{DD}$.	-150		40	μA	
Input Duty Cycle	d_{tin}	Measurement from differential waveform.	45		55	%	1

¹ Guaranteed by design and characterization, not 100% tested in production.

² Slew rate measured through $\pm 75mV$ window centered around differential zero.

Table 9. Input/Supply/Common Parameters

Parameter	Symbol	Conditions	Minimum	Typical	Maximum	Units	Notes
Supply Voltage	V_{DDx}	Supply voltage for core and analog.	3.135	3.3	3.465	V	
Ambient Operating Temperature	T_{AMB}	Industrial range.	-40	25	85	$^{\circ}C$	
Input High Voltage	V_{IH}	Single-ended inputs, except SMBus, tri-level inputs.	2		$V_{DD} + 0.3$	V	
Input Low Voltage	V_{IL}	Single-ended inputs, except SMBus, tri-level inputs.	GND - 0.3		0.8	V	

Table 9. Input/Supply/Common Parameters (Cont.)

Parameter	Symbol	Conditions	Minimum	Typical	Maximum	Units	Notes
Input High Voltage	V_{IH}	Tri-level inputs.	2.2		$V_{DD} + 0.3$	V	
Input Mid Voltage	V_{IM}	Tri-level inputs.	1.2	$V_{DD}/2$	1.8	V	
Input Low Voltage	V_{IL}	Tri-level inputs.	GND - 0.3		0.8	V	
Input Current	I_{IN}	Single-ended inputs, $V_{IN} = GND$, $V_{IN} = V_{DD}$.	-5		5	μA	
	I_{INP}	Single-ended inputs. $V_{IN} = 0 V$; inputs with internal pull-up resistors. $V_{IN} = V_{DD}$; inputs with internal pull-down resistors.	-50		50	μA	
Input Frequency	F_{IN}	$V_{DD} = 3.3V$.	1		400	MHz	
Pin Inductance	L_{pin}				7	nH	1
Capacitance	C_{IN}	Logic inputs, except DIF_IN.	1.5		5	pF	1
	C_{INDIF_IN}	DIF_IN differential clock inputs.	1.5		2.7	pF	1,4
	C_{OUT}	Output pin capacitance.			6	pF	1
Clk Stabilization	T_{STAB}	From V_{DD} power-up and after input clock stabilization or de-assertion of PD# to 1st clock.		1.0	1.8	ms	1,2
OE# Latency	$t_{LATOE\#}$	DIF start after OE# assertion. DIF stop after OE# deassertion.	4	5	10	clocks	1,2,3
Tdrive_PD#	t_{DRVPD}	DIF output enable after PD# de-assertion.		76	300	μs	1,3
Tfall	t_F	Fall time of control inputs.			5	ns	2
Trise	t_R	Rise time of control inputs.			5	ns	2

¹ Guaranteed by design and characterization, not 100% tested in production.

² Control input must be monotonic from 20% to 80% of input swing.

³ Time from deassertion until outputs are > 200mV.

⁴ DIF_IN input.

Table 10. Side Band Interface

Parameter	Symbol	Conditions	Minimum	Typical	Maximum	Units	Notes
Clock Period	t_{PERIOD}	Clock period.	40			ns	
Setup Time to Clock	t_{SETUP}	SHFT setup to CLK rising edge.	10			ns	
Data Setup Time	t_{DSU}	DATA setup to CLK rising edge.	5			ns	
Data Hold Time	t_{DHOLD}	DATA hold after CLK rising edge.	2			ns	1
Delay Time	t_{DELAY}	Delay from CLK rising edge to LD# falling edge.	10			ns	1
Propagation Delay	t_{PD}	Delay from LD# falling edge to next output configuration taking effect.	4		10	clocks	3
Slew Rate	t_{SLEW}	CLK input (between 20% and 80%).	0.7		4	V/ns	2

¹ Guaranteed by design and characterization, not 100% tested in production.

² Control input must be monotonic from 20% to 80% of input swing.

³ Refers to device differential input clock.

Table 11. LP-HCSL Outputs Driving High Impedance Receiver

Parameter	Symbol	Conditions	Minimum	Typical	Maximum	Industry Limit	Units	Notes
Slew Rate	dV/dt	Scope averaging on, fast setting.	2	2.4	4	1 – 4	V/ns	1,2,3
Slew Rate Matching	Δ dV/dt	Single-ended measurement.		4.8	15	20	%	
Maximum Voltage	Vmax	Measurement on single ended signal using absolute value. (scope averaging off).	700	800	900	660 – 1150	mV	7,8
Minimum Voltage	Vmin		-150	-43	75	-300 – +150		1,5,7,8
Crossing Voltage (abs)	Vcross_abs	Scope averaging off.	250	391	550	250–550	mV	1,6,7
Crossing Voltage (var)	Δ -Vcross	Scope averaging off.		18	50	140	mV	1,6,7

¹ Guaranteed by design and characterization, not 100% tested in production.

² Measured from differential waveform.

³ Slew rate is measured through the Vswing voltage range centered around differential 0 V. This results in a \pm 150mV window around differential 0V.

⁴ Matching applies to rising edge rate for Clock and falling edge rate for Clock#. It is measured using a \pm 75mV window centered on the average cross point where Clock rising meets Clock# falling. The median cross point is used to calculate the voltage thresholds the oscilloscope is to use for the edge rate calculations.

⁵ Vcross is defined as voltage where Clock = Clock# measured on a component test board and only applies to the differential rising edge (i.e. Clock rising and Clock# falling).

⁶ The total variation of all Vcross measurements in any particular system. Note that this is a subset of Vcross_min/max (Vcross absolute) allowed. The intent is to limit Vcross induced modulation by setting Δ -Vcross to be smaller than Vcross absolute.

⁷ At default SMBus settings.

⁸ Includes 300mV of overshoot for Vmax and 300mV of undershoot for Vmin.

Table 12. Current Consumption

Parameter	Symbol	Conditions	Minimum	Typical	Maximum	Units
Operating Supply Current	I _{DDVDD}	Source termination, all outputs 100MHz, C _L = 2pF; Z _o = 85 Ω .		169	195	mA
	I _{DDVDDA/R}			5	6	mA
Powerdown Current	I _{DDVDDPD}	All differential pairs low-low.		1	2	mA
	I _{DDVDDA/RPD}	All differential pairs low-low.		2	3	mA

Table 13. Skew and Differential Jitter Parameters

Parameter	Symbol	Conditions	Minimum	Typical	Maximum	Units	Notes
CLK_IN, DIF[x:0]	t _{PD_BYP}	Input-to-output skew.	2	2.7	3.4	ns	1,2,3,4,5,7
DIF[x:0]	t _{SKEW_ALL}	Output-to-output skew across all outputs.		35	50	ps	1,2,3,7
Duty Cycle Distortion	t _{DCD}	Measured differentially at 100MHz.	-0.5	-0.2	0.5	%	1,6,7

¹ Measured into fixed 2pF load cap. Input to output skew is measured at the first output edge following the corresponding input.

² Measured from differential cross-point to differential cross-point.

³ All input-to-output specs refer to the timing between an input edge and the specific output edge created by it.

⁴ Measured with scope averaging on to find mean value.

⁵ Guaranteed by design and characterization, not 100% tested in production.

⁶ Duty cycle distortion is the difference in duty cycle between the output and the input clock when the device is operated in bypass mode.

⁷ Measured from differential waveform.

Table 14. Filtered Phase Jitter Parameters – PCIe Common Clocked (CC) Architectures

Parameter	Symbol	Conditions	Minimum	Typical	Maximum	Industry Limits	Units	Notes
Additive Phase Jitter	$t_{jphPCIeG1-CC}$	PCIe Gen1		0.2	5	Not applicable	ps (p-p)	1,2,3,4
	$t_{jphPCIeG2-CC}$	PCIe Gen2 Low Band 10kHz < f < 1.5MHz (PLL BW of 5–16MHz or 8–5MHz, CDR = 5MHz)		0.004	0.005		ps (rms)	1,2,4,6
		PCIe Gen2 High Band 1.5MHz < f < Nyquist (50MHz) (PLL BW of 5–16MHz or 8–5MHz, CDR = 5MHz)		0.07	0.09		ps (rms)	1,2,4,6
	$t_{jphPCIeG3/4-CC}$	PCIe Gen3, Gen4 (PLL BW of 2–4MHz or 2–5MHz, CDR = 10MHz)		0.03	0.04		ps (rms)	1,2,4,6
	$t_{jphPCIeG5-CC}$	PCIe Gen5 (see PCIe Gen5 specifications for details)		0.01	0.02		ps (rms)	1,2,4,6

Table 15. Filtered Phase Jitter Parameters – PCIe Independent Reference (IR) Architectures

Parameter	Symbol	Conditions	Minimum	Typical	Maximum	Industry Limits	Units	Notes
Additive Phase Jitter	$t_{jphPCIeG2-SRIS}$	PCIe Gen2 (PLL BW of 16MHz, CDR = 5MHz)		0.09	0.11	Not applicable	ps (rms)	1,2,4,6
	$t_{jphPCIeG3-SRIS}$	PCIe Gen3 (PLL BW of 2–4MHz, CDR = 10MHz)		0.02	0.03		ps (rms)	1,2,4,6

Notes on PCIe Filtered Phase Jitter tables

¹ Applies to all differential outputs, guaranteed by design and characterization.

² Applies to all outputs when driven by a low phase noise source.

³ Sample size of at least 100K cycles. This figure extrapolates to 108ps pk-pk at 1M cycles for a BER of 1^{-12} .

⁴ Additive jitter for RMS values is calculated by solving the following equation for b [$b = \sqrt{c^2 - a^2}$] where “a” is rms input jitter and “c” is rms total jitter.

⁵ IR is the new name for Separate Reference Independent Spread (SRIS) and Separate Reference no Spread (SRNS) PCIe clock architectures. According to the PCIe Base Specification Rev4.0 version 1.0, the jitter transfer functions and corresponding jitter limits are not defined for the IR clock architecture. The IR filters from the PCIe Base Specification, Rev 3.1a are used to populate this table. There are no accepted filters or limits for IR clock architectures at PCIe Gen1 or Gen4 data rates at the time of publication.

⁶ Measured using SMA100B signal source, or equivalent, and a phase noise analyzer.

Table 16. Filtered Phase Jitter Parameters – DB2000Q Filter

Parameter	Symbol	Conditions	Minimum	Typical	Maximum	Specification Limit	Units	Notes
Additive Phase Jitter	$t_{jphDB2000Qadd}$	100MHz		23	25	80	fs (rms)	1,2,3

¹ Measured using SMA100B signal source, or equivalent, and a phase noise analyzer.

² After applying DB2000Q filter.

³ Additive jitter for RMS values is calculated by solving for b where $[b = \sqrt{c^2 - a^2}]$ where “a” is rms input jitter and “c” is rms total jitter.

Table 17. Unfiltered Phase Jitter Parameters – 12kHz to 20MHz

Parameter	Symbol	Conditions	Minimum	Typical	Maximum	Industry Limits	Units	Notes
Additive Phase Jitter	$t_{jph12k-20Madd}$	100MHz		97	106	Not applicable	fs (rms)	1,2,3
		156.25MHz		86	94			

¹ Measured using SMA100B signal source, or equivalent, and a phase noise analyzer.

² 12kHz-20MHz brick wall filter.

³ Additive jitter for RMS values is calculated by solving for b where $[b = \sqrt{c^2 - a^2}]$ where “a” is rms input jitter and “c” is rms total jitter.

Test Loads

Figure 4. AC/DC Test Load for High Impedance Receivers

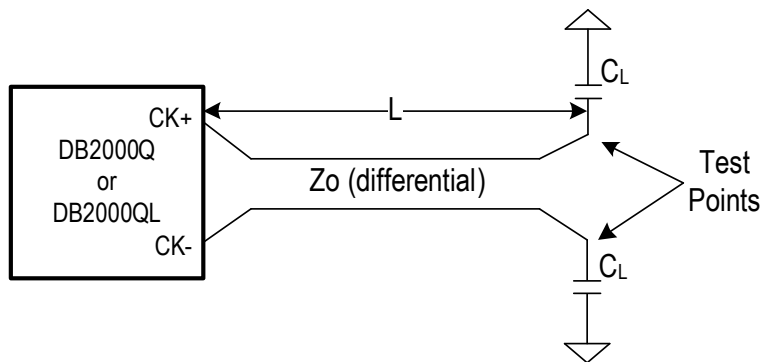


Figure 5. Test Setup for DB2000Q Additive Phase Jitter Measurement

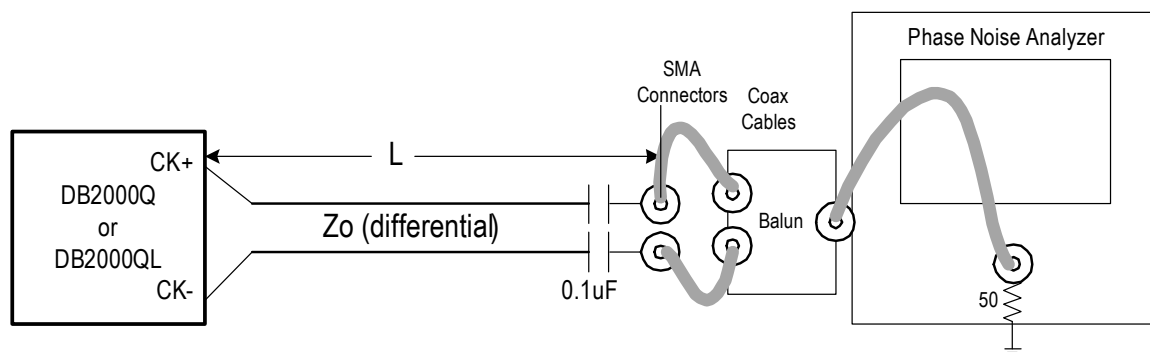


Table 18. Parameters for Test Loads

Rs (Ω)	Zo (Ω)	L (cm)	C _L (pF)
Internal	85	25.4	2

Alternate Terminations

The LP-HCSL output can easily drive other logic families. See [“AN-891 Driving LVPECL, LVDS, and CML Logic with IDT’s “Universal” Low-Power HCSL Outputs”](#) for termination schemes for LVPECL, LVDS, CML and SSTL.

SMBus Addressing

Table 19. SMBus Address Selection

SADR(1:0)_tri	SMBus Address (Read/Write bit = 0)
00	D8
0M	DA
01	DE
M0	C2
MM	C4
M1	C6
10	CA
1M	CC
11	CE

General SMBus Serial Interface Information

How to Write

- Controller (host) sends a start bit
- Controller (host) sends the write address
- IDT clock will **acknowledge**
- Controller (host) sends the beginning byte location = N
- IDT clock will **acknowledge**
- Controller (host) sends the byte count = X
- IDT clock will **acknowledge**
- Controller (host) starts sending Byte N through Byte N+X-1
- IDT clock will **acknowledge** each byte **one at a time**
- Controller (host) sends a stop bit

Index Block Write Operation		
Controller (Host)		IDT (Slave/Receiver)
T	starT bit	
Slave Address		
WR	WRite	
Beginning Byte = N		ACK
		ACK
Data Byte Count = X		ACK
Beginning Byte N		ACK
O	X Byte	O
O		O
O		O
Byte N + X - 1		ACK
P	stoP bit	

How to Read

- Controller (host) will send a start bit
- Controller (host) sends the write address
- IDT clock will **acknowledge**
- Controller (host) sends the beginning byte location = N
- IDT clock will **acknowledge**
- Controller (host) will send a separate start bit
- Controller (host) sends the read address
- IDT clock will **acknowledge**
- IDT clock will send the data byte count = X
- IDT clock sends Byte N+X-1
- IDT clock sends **Byte 0 through Byte X (if X_(H) was written to Byte 8)**
- Controller (host) will need to acknowledge each byte
- Controller (host) will send a not acknowledge bit
- Controller (host) will send a stop bit

Index Block Read Operation		
Controller (Host)		IDT (Slave/Receiver)
T	starT bit	
Slave Address		
WR	WRite	
Beginning Byte = N		ACK
		ACK
RT	Repeat starT	
Slave Address		
RD	ReaD	
		ACK
		Data Byte Count=X
ACK		Beginning Byte N
ACK		O
O		O
O		O
O		
		Byte N + X - 1
N	Not acknowledge	
P	stoP bit	

SMBus Table: Output Enable Register (Register functional only when SBEN = 0)

Byte 0	Name	Control Function	Type	0	1	Default
Bit 7	Reserved					0
Bit 6	DIF_19_En	Output Enable	RW	Low/Low	Enable	1
Bit 5	DIF_18_En	Output Enable	RW	Low/Low	Enable	1
Bit 4	DIF_17_En	Output Enable	RW	Low/Low	Enable	1
Bit 3	DIF_16_En	Output Enable	RW	Low/Low	Enable	1
Bit 2	Reserved					0
Bit 1	Reserved					0
Bit 0	Reserved					0

SMBus Table: Output Enable Register (Register functional only when SBEN = 0)

Byte 1	Name	Control Function	Type	0	1	Default
Bit 7	DIF_7_En	Output Enable	RW	Disabled Low/Low	OE7# Controls	1
Bit 6	DIF_6_En	Output Enable	RW		OE6# Controls	1
Bit 5	DIF_5_En	Output Enable	RW		OE5# Controls	1
Bit 4	DIF_4_En	Output Enable	RW		Enabled	1
Bit 3	DIF_3_En	Output Enable	RW		Enabled	1
Bit 2	DIF_2_En	Output Enable	RW		Enabled	1
Bit 1	DIF_1_En	Output Enable	RW		Enabled	1
Bit 0	DIF_0_En	Output Enable	RW		Enabled	1

SMBus Table: Output Enable Register (Register functional only when SBEN = 0)

Byte 2	Name	Control Function	Type	0	1	Default
Bit 7	DIF_15_En	Output Enable	RW	Low/Low	Enabled	1
Bit 6	DIF_14_En	Output Enable	RW		Enabled	1
Bit 5	DIF_13_En	Output Enable	RW		Enabled	1
Bit 4	DIF_12_En	Output Enable	RW		OE12# Controls	1
Bit 3	DIF_11_En	Output Enable	RW		OE11# Controls	1
Bit 2	DIF_10_En	Output Enable	RW		OE10# Controls	1
Bit 1	DIF_9_En	Output Enable	RW		OE9# Controls	1
Bit 0	DIF_8_En	Output Enable	RW		OE8# Controls	1

SMBus Table: OE# Pin Readback Register

Byte 3	Name	Control Function	Type	0	1	Default
Bit 7	RB_OE12	Status of OE12#	R	Pin Low	Pin High	Real-time
Bit 6	RB_OE11	Status of OE11#	R			Real-time
Bit 5	RB_OE10	Status of OE10#	R			Real-time
Bit 4	RB_OE9	Status of OE9#	R			Real-time
Bit 3	RB_OE8	Status of OE8#	R			Real-time
Bit 2	RB_OE7	Status of OE7#	R			Real-time
Bit 1	RB_OE6	Status of OE6#	R			Real-time
Bit 0	RB_OE5	Status of OE5#	R			Real-time

SMBus Table: SBEN Readback Register

Byte 4	Name	Control Function	Type	0	1	Default
Bit 7		Reserved				0
Bit 6		Reserved				0
Bit 5		Reserved				0
Bit 4		Reserved				0
Bit 3		Reserved				0
Bit 2		Reserved				0
Bit 1		Reserved				0
Bit 0	RB_SBEN	Status of SBEN	R	Pin Low	Pin High	Real-time

SMBus Table: Vendor & Revision ID Register

Byte 5	Name	Control Function	Type	0	1	Default
Bit 7	RID3	REVISION ID	R	B rev is 0001		0
Bit 6	RID2		R			0
Bit 5	RID1		R			x
Bit 4	RID0		R			x
Bit 3	VID3	VENDOR ID	R	IDT/ICS		0
Bit 2	VID2		R			0
Bit 1	VID1		R			0
Bit 0	VID0		R			1

SMBus Table: Device ID

Byte 6	Name	Control Function	Type	0	1	Default
Bit 7	Device ID 7 (MSB)		R	C9		1
Bit 6	Device ID 6		R			1
Bit 5	Device ID 5		R			0
Bit 4	Device ID 4		R			0
Bit 3	Device ID 3		R			1
Bit 2	Device ID 2		R			0
Bit 1	Device ID 1		R			x
Bit 0	Device ID 0		R			1

SMBus Table: Byte Count Register

Byte 7	Name	Control Function	Type	0	1	Default
Bit 7	Reserved					0
Bit 6	Reserved					0
Bit 5	Reserved					0
Bit 4	BC4	Writing to this register configures how many bytes will be read back.	RW	Default value is 7.		0
Bit 3	BC3		RW			0
Bit 2	BC2		RW			1
Bit 1	BC1		RW			1
Bit 0	BC0		RW			1

SMBus Table: Side Band Mask Register (Register functional only when SBEN = 1)

Byte8	Name	Control Function	Type	0	1	Default
Bit 7	Mask7	Masks off Side-band Disable	RW	Side-band shift register may disable the output	Forces output to always be enabled regardless of side-band shift register value	0
Bit 6	Mask6	Masks off Side-band Disable	RW			0
Bit 5	Mask5	Masks off Side-band Disable	RW			0
Bit 4	Mask4	Masks off Side-band Disable	RW			0
Bit 3	Mask3	Masks off Side-band Disable	RW			0
Bit 2	Mask2	Masks off Side-band Disable	RW			0
Bit 1	Mask1	Masks off Side-band Disable	RW			0
Bit 0	Mask0	Masks off Side-band Disable	RW			0

SMBus Table: Side Band Mask Register (Register functional only when SBEN = 1)

Byte 9	Name	Control Function	Type	0	1	Default
Bit 7	Mask15	Masks off Side-band Disable	RW	Side-band shift register may disable the output	Forces output to always be enabled regardless of side-band shift register value	0
Bit 6	Mask14	Masks off Side-band Disable	RW			0
Bit 5	Mask13	Masks off Side-band Disable	RW			0
Bit 4	Mask12	Masks off Side-band Disable	RW			0
Bit 3	Mask11	Masks off Side-band Disable	RW			0
Bit 2	Mask10	Masks off Side-band Disable	RW			0
Bit 1	Mask9	Masks off Side-band Disable	RW			0
Bit 0	Mask8	Masks off Side-band Disable	RW			0

SMBus Table: Side Band Mask Register (Register functional only when SBEN = 1)

Byte 10	Name	Control Function	Type	0	1	Default
Bit 7	Reserved					0
Bit 6	Reserved					0
Bit 5	Reserved					0
Bit 4	Reserved					0
Bit 3	Mask19	Masks off Side-band Disable	RW	Side-band shift register may disable the output	Forces output to always be enabled regardless of side-band shift register value	0
Bit 2	Mask18	Masks off Side-band Disable	RW			0
Bit 1	Mask17	Masks off Side-band Disable	RW			0
Bit 0	Mask16	Masks off Side-band Disable	RW			0

SMBus Table: Output Impedance and Slew Rate Trim Register

Byte 11	Name	Control Function	Type	0	1	Default
Bit 7	ZUP_DIF_19	Impedance Trim DIF_19	RW	00 or 11 = Nominal 01 = -5%, 10 = +5%		0
Bit 6	ZDWN_DIF_19		RW			0
Bit 5	Reserved					0
Bit 4	ZUP_DIF_18	Impedance Trim DIF_18	RW	00 or 11 = Nominal 01 = -5%, 10 = +5%		0
Bit 3	ZDWN_DIF_18		RW			0
Bit 2	Reserved					0
Bit 1	ZUP_DIF_17	Impedance Trim DIF_17	RW	00 or 11 = Nominal 01 = -5%, 10 = +5%		0
Bit 0	ZDWN_DIF_17		RW			0

SMBus Table: Output Configuration Register

Byte 12	Name	Control Function	Type	0	1	Default
Bit 7	Reserved					0
Bit 6	ZUP_DIF_16	Impedance Trim DIF_16	RW	00 or 11 = Nominal 01 = -5%, 10 = +5%		0
Bit 5	ZDWN_DIF_16		RW			0
Bit 4	Reserved					0
Bit 3	ZUP_DIF_15	Impedance Trim DIF_15	RW	00 or 11 = Nominal 01 = -5%, 10 = +5%		0
Bit 2	ZDWN_DIF_15		RW			0
Bit 1	Reserved					0
Bit 0	Reserved					0

SMBus Table: Output Configuration Register

Byte 13	Name	Control Function	Type	0	1	Default
Bit 7	ZUP_DIF_14	Impedance Trim DIF_14	RW	00 or 11 = Nominal 01 = -5%, 10 = +5%		0
Bit 6	ZDWN_DIF_14		RW			0
Bit 5	Reserved					0
Bit 4	ZUP_DIF_13	Impedance Trim DIF_13	RW	00 or 11 = Nominal 01 = -5%, 10 = +5%		0
Bit 3	ZDWN_DIF_13		RW			0
Bit 2	Reserved					0
Bit 1	ZUP_DIF_12	Impedance Trim DIF_12	RW	00 or 11 = Nominal 01 = -5%, 10 = +5%		0
Bit 0	ZDWN_DIF_12		RW			0

SMBus Table: Output Configuration Register

Byte 14	Name	Control Function	Type	0	1	Default
Bit 7	Reserved					0
Bit 6	ZUP_DIF_11	Impedance Trim DIF_11	RW	00 or 11 = Nominal 01 = -5%, 10 = +5%		0
Bit 5	ZDWN_DIF_11		RW			0
Bit 4	Reserved					0
Bit 3	ZUP_DIF_10	Impedance Trim DIF_10	RW	00 or 11 = Nominal 01 = -5%, 10 = +5%		0
Bit 2	ZDWN_DIF_10		RW			0
Bit 1	Reserved					0
Bit 0	Reserved					0

SMBus Table: Output Configuration Register

Byte 15	Name	Control Function	Type	0	1	Default
Bit 7	ZUP_DIF_9	Impedance Trim DIF_9	RW	00 or 11 = Nominal 01 = -5%, 10 = +5%		0
Bit 6	ZDWN_DIF_9		RW			0
Bit 5	Reserved					0
Bit 4	ZUP_DIF_8	Impedance Trim DIF_8	RW	00 or 11 = Nominal 01 = -5%, 10 = +5%		0
Bit 3	ZDWN_DIF_8		RW			0
Bit 2	Reserved					0
Bit 1	ZUP_DIF_7	Impedance Trim DIF_7	RW	00 or 11 = Nominal 01 = -5%, 10 = +5%		0
Bit 0	ZDWN_DIF_7		RW			0

SMBus Table: Output Configuration Register

Byte 16	Name	Control Function	Type	0	1	Default
Bit 7	Reserved					0
Bit 6	ZUP_DIF_6	Impedance Trim DIF_6	RW	00 or 11 = Nominal 01 = -5%, 10 = +5%		0
Bit 5	ZDWN_DIF_6		RW			0
Bit 4	Reserved					0
Bit 3	ZUP_DIF_5	Impedance Trim DIF_5	RW	00 or 11 = Nominal 01 = -5%, 10 = +5%		0
Bit 2	ZDWN_DIF_5		RW			0
Bit 1	Reserved					0
Bit 0	Reserved					0

SMBus Table: Output Configuration Register

Byte 17	Name	Control Function	Type	0	1	Default
Bit 7	ZUP_DIF_4	Impedance Trim DIF_4	RW	00 or 11 = Nominal 01 = -5%, 10 = +5%		0
Bit 6	ZDWN_DIF_4		RW			0
Bit 5	Reserved					0
Bit 4	ZUP_DIF_3	Impedance Trim DIF_3	RW	00 or 11 = Nominal 01 = -5%, 10 = +5%		0
Bit 3	ZDWN_DIF_3		RW			0
Bit 2	Reserved					0
Bit 1	ZUP_DIF_2	Impedance Trim DIF_2	RW	00 or 11 = Nominal 01 = -5%, 10 = +5%		0
Bit 0	ZDWN_DIF_2		RW			0

SMBus Table: Output Configuration Register

Byte 18	Name	Control Function	Type	0	1	Default
Bit 7	Reserved					0
Bit 6	ZUP_DIF_1	Impedance Trim DIF_1	RW	00 or 11 = Nominal 01 = -5%, 10 = +5%		0
Bit 5	ZDWN_DIF_1		RW			0
Bit 4	Reserved					0
Bit 3	ZUP_DIF_0	Impedance Trim DIF_0	RW	00 or 11 = Nominal 01 = -5%, 10 = +5%		0
Bit 2	ZDWN_DIF_0		RW			0
Bit 1	Reserved					0
Bit 0	Reserved					0

Byte 19 is Reserved.

SMBus Table: Stop State Configuration Register

Byte 20	Name	Control Function	Type	0	1	Default
Bit 7	AMP[2]	Global Differential output Control	RW	0.3V–1V 100mV/step Default=750mV		1
Bit 6	AMP[1]		RW			0
Bit 5	AMP[0]		RW			1
Bit 4	Reserved					0
Bit 3	Reserved					0
Bit 2	Reserved					1
Bit 1	STOPST[1]	Differential Stop Mode State	RW	00 = Low/Low	10 = High/Low	0
Bit 0	STOPST[0]		RW	01 = HiZ/HiZ	11 = Low/High	0

SMBus Table: PD_RESTORE

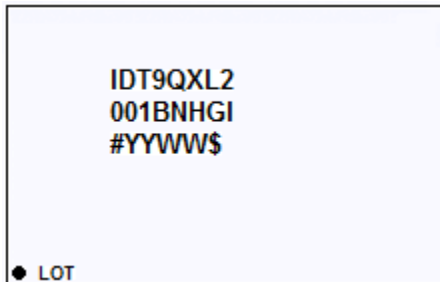
Byte 21	Name	Control Function	Type	0	1	Default
Bit 7	Reserved					0
Bit 6	Reserved					0
Bit 5	Reserved					0
Bit 4	Reserved					0
Bit 3	PD_RESTORE#	Save Configuration in Power Down	RW	Config Cleared	Config Saved	1
Bit 2	Reserved					0
Bit 1	Reserved					0
Bit 0	Reserved					0

Package Outline Drawings

The package outline drawings are appended at the end of this document and are accessible from the link below. The package information is the most current data available.

www.idt.com/document/psc/nhg80-package-outline-600x600mm-body-050mm050mm-pitch-gqfn

Marking Diagram



- Lines 1 and 2: part number
 - “I” denotes industrial temperature.
- Line 3:
 - “#” denotes the stepping number.
 - “YYWW” is the last digits of the year and work week that the part was assembled.
 - “\$” denotes mark code.
- “LOT” denotes the lot sequence code.

Ordering Information

Orderable Part Number	Package	Carrier Type	Temperature
9QXL2001BNHGI	6 × 6 mm, 0.5mm pitch 80-GQFN	Tray	-40° to +85°C
9QXL2001BNHGI8	6 × 6 mm, 0.5mm pitch 80-GQFN	Tape and Reel	-40° to +85°C

“G” designates PB-free configuration, RoHS compliant.

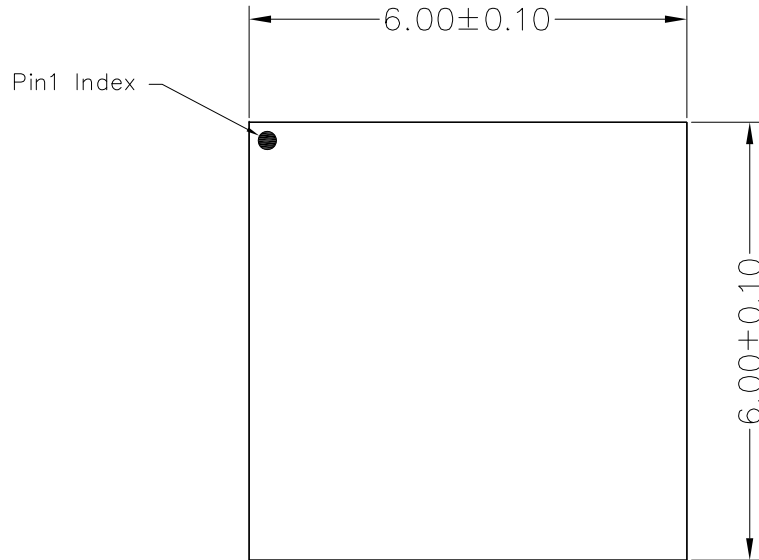
“B” is the device revision designator (will not correlate with the datasheet revision).

Revision History

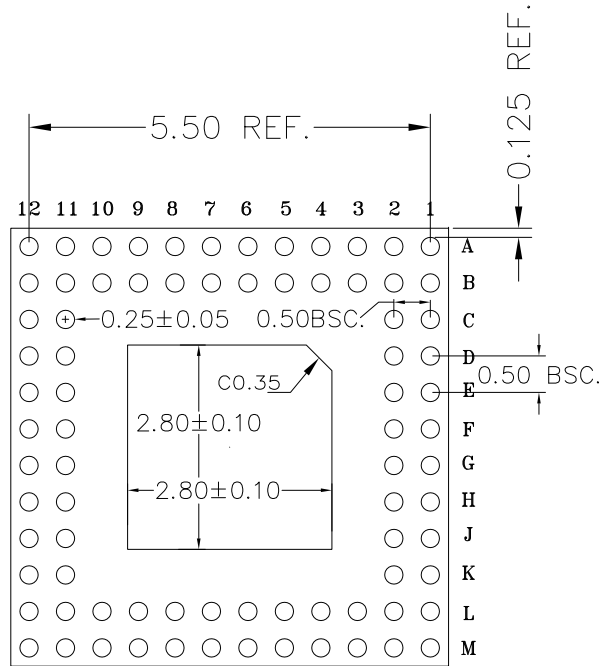
Revision Date	Description of Change
January 7, 2020	Updated Bytes 0, 1, and 2 register tables to SBEN = 0.
June 10, 2019	Updated Marking Diagram notes.
May 28, 2019	Updated I _{DDVDD} typical value from 143mA to 169mA.
February 26, 2019	Added Thermal Characteristics table.
February 15, 2019	Initial release.

DATE		REVISIONS	
CREATED	REV	DESCRIPTION	AUTHOR
05/26/15	00	INITIAL RELEASE	JH
05/26/16	01	UPDATE LAND PATTERN DIMENSION	JH
03/29/17	02	UPDATE PACKAGE THICKNESS	JH
04/01/17	03	UPDATE PACKAGE THICKNESS WITH TOLERANCE RANGE	JH

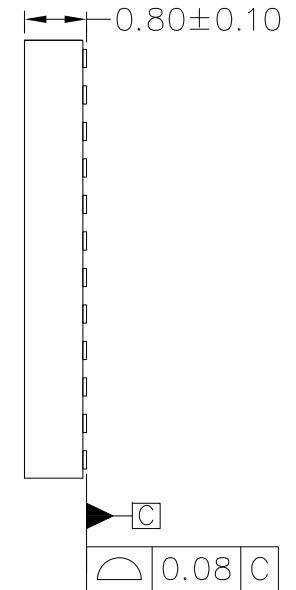
NOTE: REFER TO DCP FOR OFFICIAL RELEASE DATE



TOP VIEW




BOTTOM VIEW



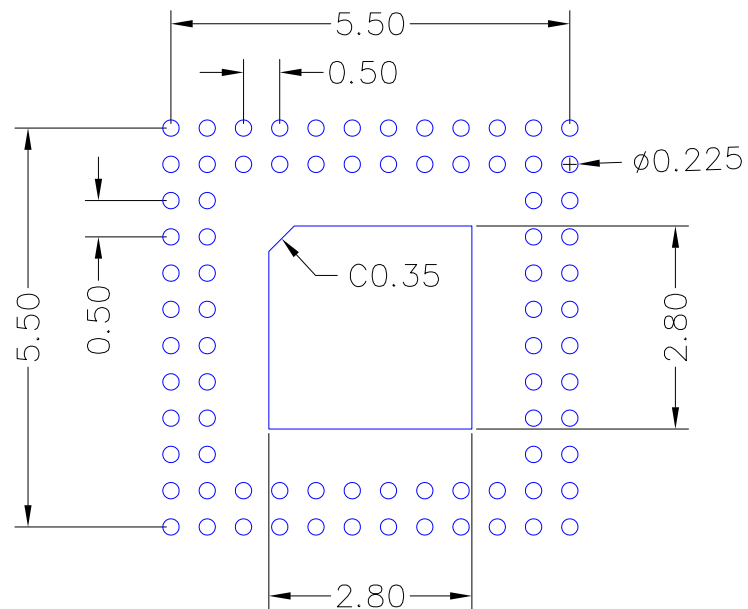
SIDE VIEW

NOTES:

1. DIMENSIONING AND TOLERANCING PER ASME Y14.5M-1994.
2. ALL DIMENSIONS ARE IN MILLIMETERS.

TOLERANCES UNLESS SPECIFIED		 www.IDT.com	6024 SILVER CREEK VALLEY ROAD, SAN JOSE, CA 95138 PHONE: (408) 284-8200 FAX: (408) 284-3572
DECIMAL	ANGULAR		
XX± 0.05 ±		TITLE NHG80 PACKAGE OUTLINE	
XXX± 0.012		6.00x6.00mm BODY	
XXXX±		0.50mm/0.50mm PITCH GQFN	
		SIZE C	DRAWING No. PSC-4496
		REV 03	
DO NOT SCALE DRAWING			SHEET 1 OF 2


DATE CREATED	REVISIONS		
	REV	DESCRIPTION	AUTHOR
05/26/15	00	INITIAL RELEASE	JH
05/26/16	01	UPDATE LAND PATTERN DIMENSION	JH
03/29/17	02	UPDATE PACKAGE THICKNESS	JH
04/01/17	03	UPDATE PACKAGE THICKNESS WITH TOLERANCE RANGE	JH
NOTE: REFER TO DCP FOR OFFICIAL RELEASE DATE			



RECOMMENDED LAND PATTERN

NOTE:

- 1) ALL dimensions are in mm, Angles in degrees.
- 2) Top down view, as view on PCB.
- 3) NSMD Land Pattern Assumed.
- 4) Land Pattern Recommendation as per IPC-7351B generic requirement for surface mount design and Land Pattern.

TOLERANCES UNLESS SPECIFIED DECIMAL ANGULAR XX± 0.05 ± XXX± 0.012 XXXX±	 www.IDT.com	6024 SILVER CREEK VALLEY ROAD. SAN JOSE, CA 95138 PHONE: (408) 284-8200 FAX: (408) 284-3572	
		TITLE NHG80 PACKAGE OUTLINE 6.00x6.00mm BODY 0.50mm/0.50mm PITCH GQFN	
SIZE C	DRAWING No. PSC-4496	REV 03	
DO NOT SCALE DRAWING		SHEET	2 OF 2

Notice

1. Descriptions of circuits, software and other related information in this document are provided only to illustrate the operation of semiconductor products and application examples. You are fully responsible for the incorporation or any other use of the circuits, software, and information in the design of your product or system. Renesas Electronics disclaims any and all liability for any losses and damages incurred by you or third parties arising from the use of these circuits, software, or information.
2. Renesas Electronics hereby expressly disclaims any warranties against and liability for infringement or any other claims involving patents, copyrights, or other intellectual property rights of third parties, by or arising from the use of Renesas Electronics products or technical information described in this document, including but not limited to, the product data, drawings, charts, programs, algorithms, and application examples.
3. No license, express, implied or otherwise, is granted hereby under any patents, copyrights or other intellectual property rights of Renesas Electronics or others.
4. You shall not alter, modify, copy, or reverse engineer any Renesas Electronics product, whether in whole or in part. Renesas Electronics disclaims any and all liability for any losses or damages incurred by you or third parties arising from such alteration, modification, copying or reverse engineering.
5. Renesas Electronics products are classified according to the following two quality grades: "Standard" and "High Quality". The intended applications for each Renesas Electronics product depends on the product's quality grade, as indicated below.
 - "Standard": Computers; office equipment; communications equipment; test and measurement equipment; audio and visual equipment; home electronic appliances; machine tools; personal electronic equipment; industrial robots; etc.
 - "High Quality": Transportation equipment (automobiles, trains, ships, etc.); traffic control (traffic lights); large-scale communication equipment; key financial terminal systems; safety control equipment; etc.Unless expressly designated as a high reliability product or a product for harsh environments in a Renesas Electronics data sheet or other Renesas Electronics document, Renesas Electronics products are not intended or authorized for use in products or systems that may pose a direct threat to human life or bodily injury (artificial life support devices or systems; surgical implantations; etc.), or may cause serious property damage (space system; undersea repeaters; nuclear power control systems; aircraft control systems; key plant systems; military equipment; etc.). Renesas Electronics disclaims any and all liability for any damages or losses incurred by you or any third parties arising from the use of any Renesas Electronics product that is inconsistent with any Renesas Electronics data sheet, user's manual or other Renesas Electronics document.
6. When using Renesas Electronics products, refer to the latest product information (data sheets, user's manuals, application notes, "General Notes for Handling and Using Semiconductor Devices" in the reliability handbook, etc.), and ensure that usage conditions are within the ranges specified by Renesas Electronics with respect to maximum ratings, operating power supply voltage range, heat dissipation characteristics, installation, etc. Renesas Electronics disclaims any and all liability for any malfunctions, failure or accident arising out of the use of Renesas Electronics products outside of such specified ranges.
7. Although Renesas Electronics endeavors to improve the quality and reliability of Renesas Electronics products, semiconductor products have specific characteristics, such as the occurrence of failure at a certain rate and malfunctions under certain use conditions. Unless designated as a high reliability product or a product for harsh environments in a Renesas Electronics data sheet or other Renesas Electronics document, Renesas Electronics products are not subject to radiation resistance design. You are responsible for implementing safety measures to guard against the possibility of bodily injury, injury or damage caused by fire, and/or danger to the public in the event of a failure or malfunction of Renesas Electronics products, such as safety design for hardware and software, including but not limited to redundancy, fire control and malfunction prevention, appropriate treatment for aging degradation or any other appropriate measures. Because the evaluation of microcomputer software alone is very difficult and impractical, you are responsible for evaluating the safety of the final products or systems manufactured by you.
8. Please contact a Renesas Electronics sales office for details as to environmental matters such as the environmental compatibility of each Renesas Electronics product. You are responsible for carefully and sufficiently investigating applicable laws and regulations that regulate the inclusion or use of controlled substances, including without limitation, the EU RoHS Directive, and using Renesas Electronics products in compliance with all these applicable laws and regulations. Renesas Electronics disclaims any and all liability for damages or losses occurring as a result of your noncompliance with applicable laws and regulations.
9. Renesas Electronics products and technologies shall not be used for or incorporated into any products or systems whose manufacture, use, or sale is prohibited under any applicable domestic or foreign laws or regulations. You shall comply with any applicable export control laws and regulations promulgated and administered by the governments of any countries asserting jurisdiction over the parties or transactions.
10. It is the responsibility of the buyer or distributor of Renesas Electronics products, or any other party who distributes, disposes of, or otherwise sells or transfers the product to a third party, to notify such third party in advance of the contents and conditions set forth in this document.
11. This document shall not be reprinted, reproduced or duplicated in any form, in whole or in part, without prior written consent of Renesas Electronics.
12. Please contact a Renesas Electronics sales office if you have any questions regarding the information contained in this document or Renesas Electronics products.

(Note1) "Renesas Electronics" as used in this document means Renesas Electronics Corporation and also includes its directly or indirectly controlled subsidiaries.

(Note2) "Renesas Electronics product(s)" means any product developed or manufactured by or for Renesas Electronics.

(Rev.4.0-1 November 2017)

Corporate Headquarters

TOYOSU FORESIA, 3-2-24 Toyosu,
Koto-ku, Tokyo 135-0061, Japan
www.renesas.com

Contact Information

For further information on a product, technology, the most up-to-date version of a document, or your nearest sales office, please visit:
www.renesas.com/contact/

Trademarks

Renesas and the Renesas logo are trademarks of Renesas Electronics Corporation. All trademarks and registered trademarks are the property of their respective owners.