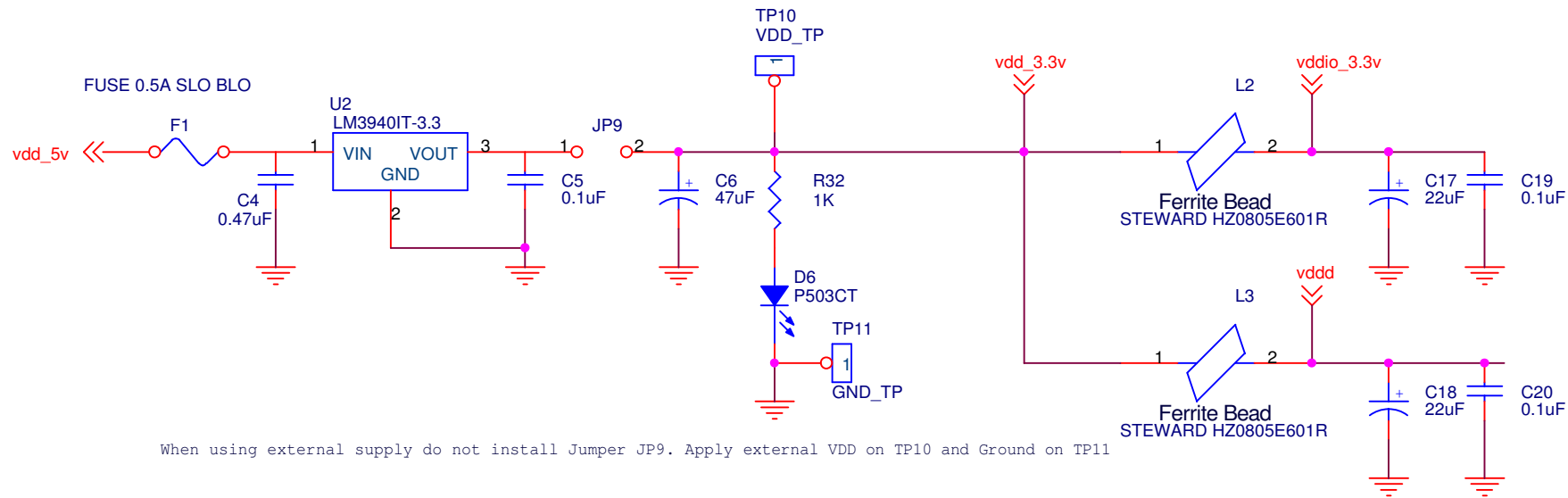
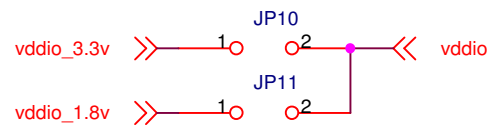
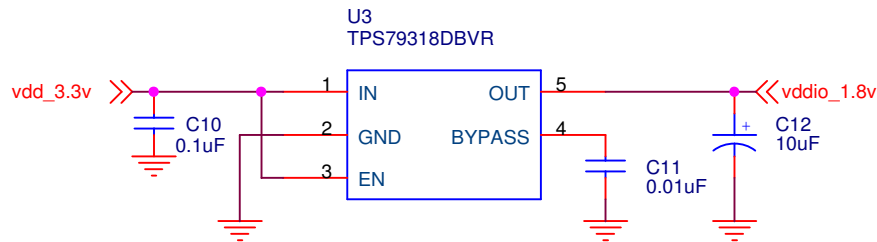


Title		
ICS1894 Eval Board		
Size	Document Number	Rev
	ICS1894	1.2
Date:	Wednesday, February 17, 2010	Sheet 1 of 2



When using external supply do not install Jumper JP9. Apply external VDD on TP10 and Ground on TP11



Jumper selection for Vddio voltage

Title		
ICS1894 Eval Board		
Size	Document Number	Rev
	ICS1894	
Date:	Wednesday, February 17, 2010	Sheet 2 of 2