

## Introduction

The P9025AC wireless power receiver is a WPC-compliant integrated circuit used to receive wireless power inductively. To achieve WPC compliance, the Foreign Object Detection (FOD) feature must be enabled and tuned on both the transmitter (Tx) and Receiver (Rx).

In any wireless power transfer system where a magnetic field is induced to transfer energy, the power transfer flux is also present outside the Tx and Rx coils. Although this field decays proportionally to the inverse square of the distance, it is typical that these fields intersect with other permeable materials (such as copper, steel or Lithium Ion batteries). These ferrous materials that are unrelated to the power transfer but necessary to the product, absorb a portion of the transmitted energy and appear as a system loss in efficiency. Other ferrous objects that are not part of the system may also be present, such as keys, coins, or other foreign objects - and they too may absorb energy during operation. As a safety precaution, the Tx will disable power transfer whenever the losses are measured to be higher than a pre-determined threshold.

Most wireless power systems will have some permeable materials present by design on the Tx and Rx side of the system (such as the final product casing). This is normal and can be accounted for by tuning the FOD parameters of the system. The P9025AC has internal OTP registers that are used to configure the FOD parameters required to ignore losses from known system design objects and only report losses associated with actual foreign objects. Additionally, the P9025AC offers an external global FOD offset adjustment resistor from FOD2 pin to GND. This resistor can add a positive or negative offset to the reported power by the device based on the pre-programmed FOD curve.

For WPC-compliant systems, the loss allowed due to foreign objects is 350 mW, not including known losses due to the Tx and Rx systems. For systems where WPC compliance is not a requirement, FOD can be programmed to accept losses greater than 350 mW, or can be disabled completely.

## Getting Started

The P9025AC has two external resistors for changing (tuning) the received power value that is reported to the Tx. The resistor from pin FOD1 to GND is used to select one of several pre-programmed banks of FOD values. The resistor from pin FOD2 to GND is an additional offset adjustment and shifts the entire reported received power curve up or down. Details on how to adjust these values is explained later in this guide.

Before starting to tune the system FOD, careful consideration should be taken to determine to what degree FOD is required in the application. When WPC compliance is not required, increasing the FOD loss threshold or disabling FOD completely can significantly reduce the effort and costs associated with tuning. The three options are as follows:

**Option #1: Disabling FOD** – some applications will not need any form of FOD, such as fixed location chargers. This eliminates the need for tuning completely. Skip to the Disabling FOD section for details on how to disable FOD.

**Option #2: “Good Enough” FOD** – some applications want FOD to a degree, but do not require a strict FOD detection threshold. This is typical of systems where the Tx and Rx are paired, and where WPC-compliance is not necessary. This type of tuning can be accomplished in a short time with just a few simple measurements and two external resistors. This guide will instruct users on how to achieve this.

**Option #3: WPC-compliant FOD** – this is for applications that require Qi Certification from one of the WPC certification centers. This typically requires precision tuning with the help of an FOD expert and special tools. This degree of tuning falls outside the scope of this guide. IDT will refer customers to a third party support team for tuning and pre-certification testing.

## FOD Tuning Overview

The WPC Foreign Object Detection (FOD) method involves continuous measurement by the Tx and Rx devices independently. The Rx reports the measured output power to the Tx through the wireless communication. The Tx then compares the values to the input power to check if an excessive amount of power is being lost somewhere in-between. If the product is part of a WPC-compliant system, the acceptable foreign object losses in excess of the known losses is 350 mW or less. For non-compliant systems, the acceptable losses can be higher, or disabled all together.

During system development, the known Tx power losses need to be determined. Some power is consumed by the transmitter in the form of digital processing, losses in the DC to AC inverter, passive components, and metallic objects needed for the product (such as cases, screws, copper foil). These losses are inherent to the specific Tx and are determined by measuring the Tx against a calibrated Rx. These known losses should be subtracted from the calculation when the system checks for a foreign object. These losses will be referred to as TXLOSSES:

$$Tx_{POWER\_FOD} = Vin(V) \times Iin(A) - Tx_{LOSSES} \quad \text{[Equation 1]}$$

where,

Vin = input voltage to the Tx controller IC (measured at REG\_IN pin on P9038)

Iin = input current to the Tx module (measured across RSNS (R2) on P9038)

TXLOSSES = Sum of power consumed by Tx system to generate B-field for power transfer and decode communication packets

Respectively, the Rx device measures the power that it is receiving (i.e. delivering to the load) and reports that value to the Tx module. Since the Rx circuit and system also consume power during operation, these fixed losses must be added to the reported received power value so that they are not considered as foreign object losses in the transmitter's calculation. Unfortunately, the fixed losses are not linear with respect to the load current. Therefore, the P9025AC device has been pre-programmed with multiple FOD curves that can be selected using the resistor on pin FOD1. These FOD1 settings are intended to include the Rx operational losses and other end-product specific metallic material losses, such as the receiver's casing. The reported power calculation is as follows:

$$Rx_{POWER\_FOD} = OUT(V) \times Iout(A) + Rx_{LOSSES} \quad \text{[Equation 2]}$$

where,

OUT = output voltage of the Rx device

Iout = output current from the Rx device

RXLOSSES = Sum power consumed by Rx product to rectify B-field for power delivery determined by the FOD1 bank selection and the FOD2 resistance to GND.

$$Rx_{LOSSES} = mcf(\text{region}) \times (Iout \times 5V) + bcf(\text{region}) + FOD2 \text{ Offset} \quad \text{[Equation 3]}$$

where,

5V= basis voltage of the Rx device power reporting calculation

Iout = output current from the Rx device

mcf(region) = programmed slope adjustment of FOD tuning by power region

bcf(region) = programmed offset adjustment of FOD tuning by power region

FOD2 Offset = Additional offset set by FOD2 resistor (sometimes referred to as Pa)

The regions vary based on the output current. There are 5 regions, so there are 5 mcf values and 5 bcf values that need to be programmed in order to report correct RXLOSSES value to the Tx based on the selected FOD1 bank.

Once the FOD1 trim settings are determined and FOD2 offset is incorporated, the reported power by the Rx (RXPOWER\_FOD) is now a total power value as opposed to just the power delivered to the load. This will allow the FOD calculation to be accurate based on the operating power levels of the Tx module and the Rx module when no foreign objects are present.

$$FOD_{Pdiff} = TX_{POWER\_FOD} - RX_{POWER\_FOD} \text{ [Equation 4]}$$

where,

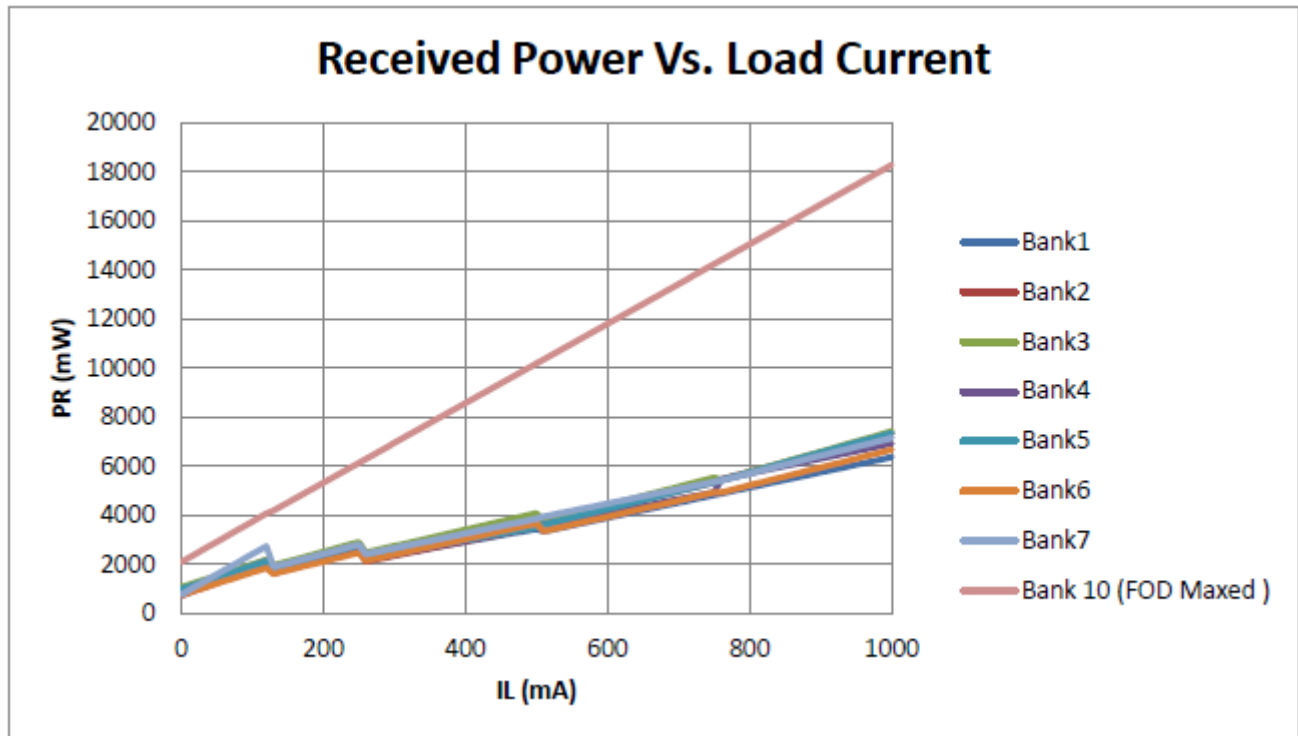
$$-350mW \leq FOD_{PDIFF} \leq 0mW \text{ for 0 to 1A load levels}$$

### Pre-programmed Banks (FOD1)

The P9025AC device is pre-programmed with FOD default curves in an effort to expedite and simplify development of wireless charging systems. These allow end-users the option of using a resistor to select the FOD curve that mostly closely matches the end product. IDT derived these particular curves based on existing systems with a variety of permeable materials near the Tx and Rx coils. The following curves are the default values stored in the FOD banks of the P9025AC-RNDGI device (refer to the P9025-R-EVK FOD Calculator.xlsx for exact values).

The Rx Reported Received Power vs. Load Current graph is an indication of the power lost due to the electrical operations required for the Tx and Rx to function as the load current changes. As you can see, the reported Power received is approximately 1W when no external load is applied and can exceed 7W when 5W is delivered to the load.

**Figure 1. P9025AC-R Default FOD1 Curves Banks 1- 7, 10 (Maxes out power reported to essentially disable FOD). Banks 8 and 9 are Reserved for Custom Trimming to be Performed by an FOD Expert using Specialized Equipment.**



In order to program the P9025AC to properly account for losses due to foreign objects, the Rx Reported Received Power vs. Load Current curves must be understood. These curves display the transmitted power of the Tx including the power delivered to the load. The Tx device will monitor the power level that it is consuming (by measuring the RMS input current and DC input voltage), then compare this result to the reported received power level (the point on each curve based on selected bank). In order to be WPC-compliant, the Tx measured power can be equal to or less than up to 350 mW less than the Rx reported received power across the load spectrum.

Typically, some offsets are included in the reported received power value in order to avoid false FOD disconnects due to coil misalignments. These offsets are incorporated by shifting the FOD curve up above the actual power in order to guarantee that the Tx power level and the reported power levels are within the 350 mW threshold even when the Rx is off-center by 5 mm from the optimal alignment location in any direction except the z-direction. The bank used to determine the reported power vs. output load current is selectable by installing a resistor from pin FOD1 to GND. The following table lists the resistance ( $\pm 1\%$ ) needed to select each internal FOD1 bank:

**Table 1: FOD1 Bank Selection Table**

Bank #	1	2	3	4	5	6	7	8	9	10
R <sub>FOD1</sub> (k $\Omega$ )	150 to open	113	97.6	75	64.9	56.2	49.9	45.3	40.2	20 to 33.2

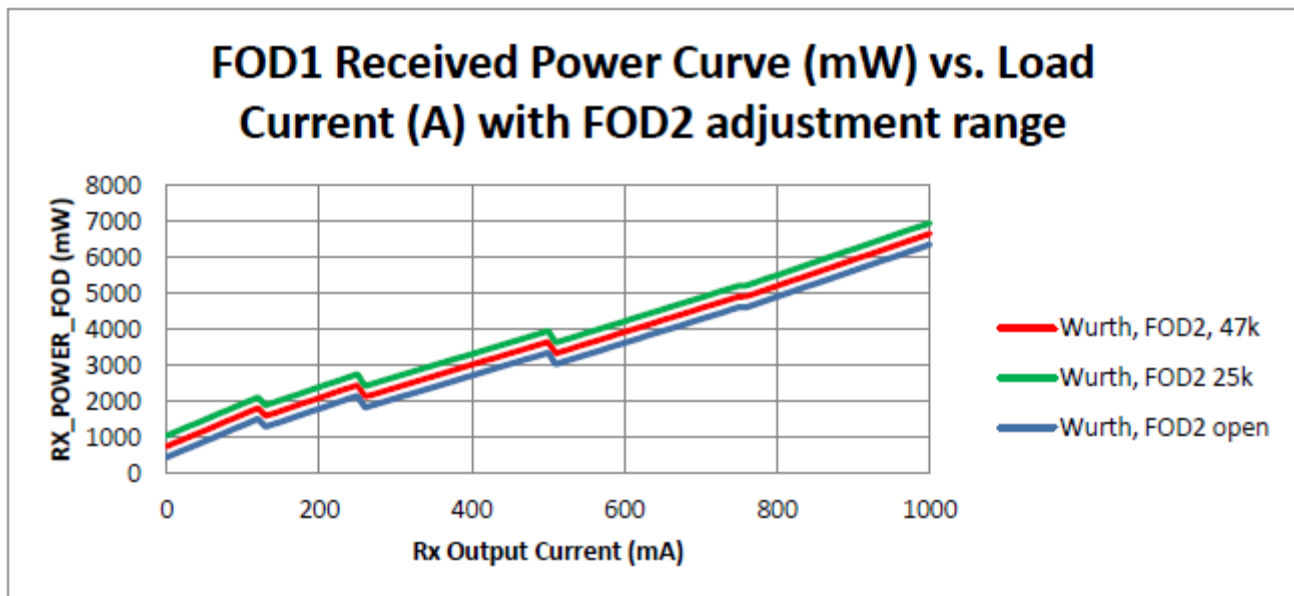
Power offsets are described in more detail in the next section.

## Global Offset (FOD2)

The P9025AC offers an additional layer of flexibility that allows a global power offset to be added to the RXPOWER\_FOD reported level. This offset is applied by connecting an external resistor from pin FOD2 to GND and directly affects the received power level that is reported to the transmitter across the load spectrum. The adjustment range allows for  $\pm 300$  mW shifts to the reported power value at all load levels across the spectrum. The magnitude of the FOD2 constant offset adjustment is dependent upon the value of the FOD2 resistor and is added to the output power. The valid range for the FOD2 offset resistance is 20k $\Omega$  up to open circuit where 20 k $\Omega$  results in a +300mW offset and open (FOD2 pin floating) results in -300mW offset.

The following graph indicates the theoretical FOD curve needed to be WPC V1.1.2 Pre-Certified with the P9025AC when using the recommended layout and bill-of-materials in the P9025-R-EVK reference kit and shows the reported power shifts that would occur at the positive and negative ends of the FOD2 adjustment range.

**Figure 2. P9025AC-R-EVK with Wurth FOD Curve (Bank 1),  $\pm$  FOD2 Global Offset Minimum and Maximum Variation Allowance**



The P9025AC has a 1.8V reference connected by a current mirror to the FOD2 resistor which reflects the current to an internal ADC. The external FOD2 resistor creates a voltage at the ADC input and the offset is proportional to the resistance to GND at the FOD2 pin. The ADC input voltage (cannot be measured externally) can be determined using the following equation:

$$V_{FOD2} = \frac{1.8V \times 25k\Omega}{(R_{FOD2}k\Omega)} \text{ [Equation 6]}$$

Next the Power received reported value is shifted proportionally to the VFOD2 voltage. At 0.9V, the offset is 0 mW. At 0 V, the offset is -300mW and at 1.8V, the offset is +300mW. The Rx reported received power shift can be calculated using the following equation:

$$\text{Power Received Reported Offset Shift (P}_A(\text{FOD2})) = (V_{FOD2} * 333.333) - 300 \text{ mW [Equation 7]}$$

where,

VFOD2 is found using equation 6

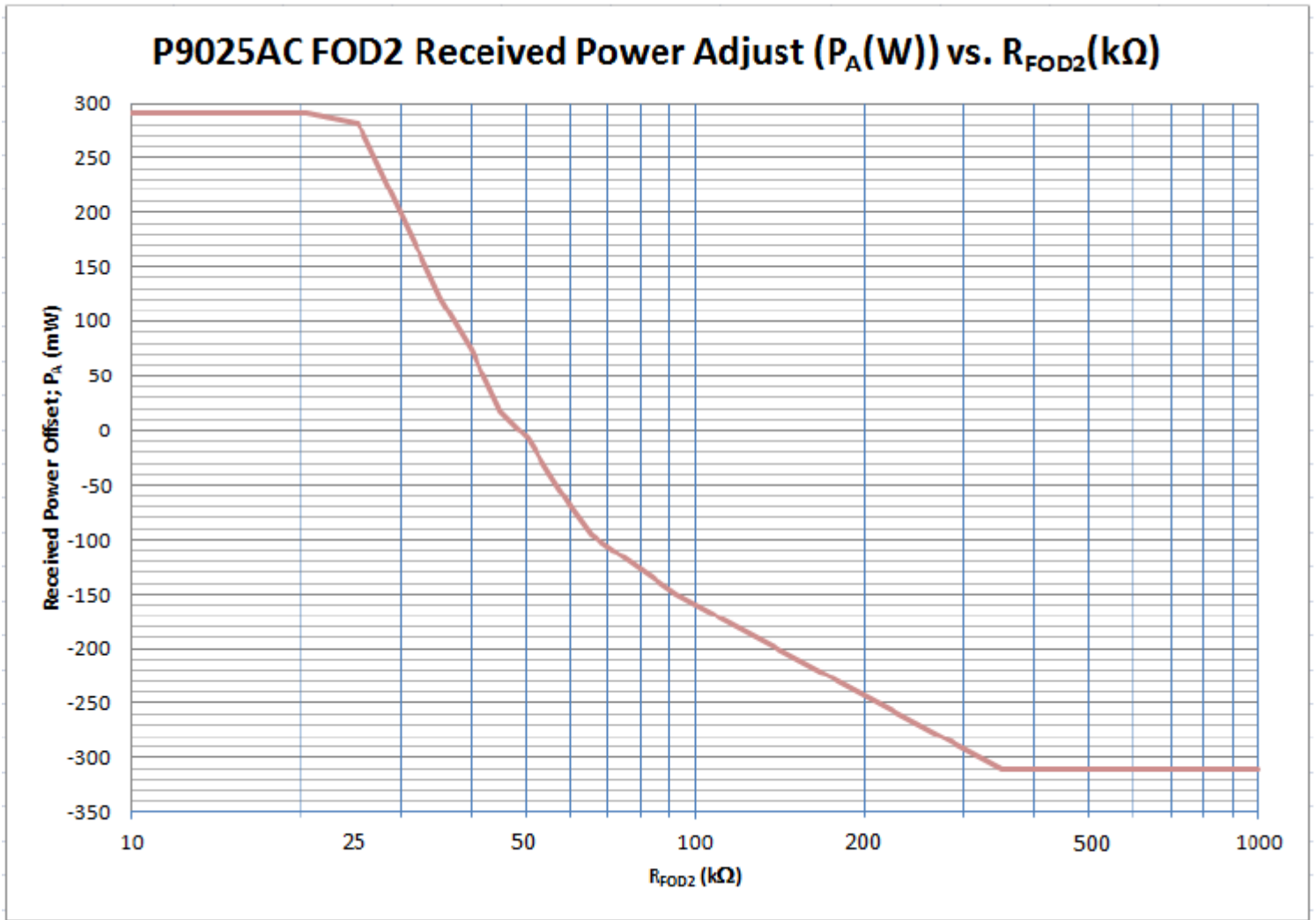
The VFOD2 scaling factor is 333.333 (unit considered as mA)

**Table 2: FOD2 Global Offset Example Values based on RFOD2 Resistance**

FOD2 Resistor (kΩ)	VFOD2 Voltage (V)	Global Offset (mW)
25	1.8	300.00
35	1.28	-128.57
50	0.90	0.00
100	0.45	-150
250	0.18	-240
350	0.128	-257
OPEN	0	-300.00

The above table is for reference to validate accurate calculations and check results. Additionally, the following curve may be used to estimate the appropriate FOD2 resistance to achieve the required additional offset shift:

Figure 3. P9025AC FOD2 Global Offset Shift vs. FOD2 Resistance to GND



## Option #1: Disabling FOD

Disabling FOD can be done with a few simple steps:

First, P9038 Tx needs to be configured with GPIO4 connected to LDO2p5V with a resistor so that the pin is always at 2.5V during startup. This will disable the P9038 from shutting down due to changes from expected input power levels that deviate from the reported power value from the Rx.

Second, the FOD1 pin on the P9025AC Rx should be connected to GND. This will have the effect of selecting the pre-programmed Bank 10, which maxes out the reported power level. If using the P9025AC-R-EVK reference board, this can be accomplished by placing a zero-ohm resistor in R4.

Third, the resistor from FOD2 to GND on the P9025AC Rx should be set to 20k $\Omega$ . This will add +300 mW of offset to the reported power value and make it so that FOD-invoked shutdowns cannot happen when using the P9038, and will be very unlikely when using the P9025AC with other WPC transmitters. If using the P9025AC-R-EVK reference board, this is resistor R5.

## Option #2: “Good Enough” FOD

In many applications, it is not required to be WPC-compliant. This is especially true for applications where the transmitter and receiver will be designed as a pair, and no guarantee for interoperability with other devices is needed. By removing the 350 mW hard requirement for foreign object losses, it provides tremendous flexibility to use and adjust one of the pre-programmed FOD curves. This eliminates the need for costly testing and device configuration.

To aid in the selection of the most appropriate FOD curve and make offset adjustments, a working spreadsheet is available. The spreadsheet is titled P9025-R-EVK FOD Calculator and can be downloaded at [www.idt.com/P9025AC-R-EVK](http://www.idt.com/P9025AC-R-EVK). The spreadsheet should be used in conjunction with following these steps:

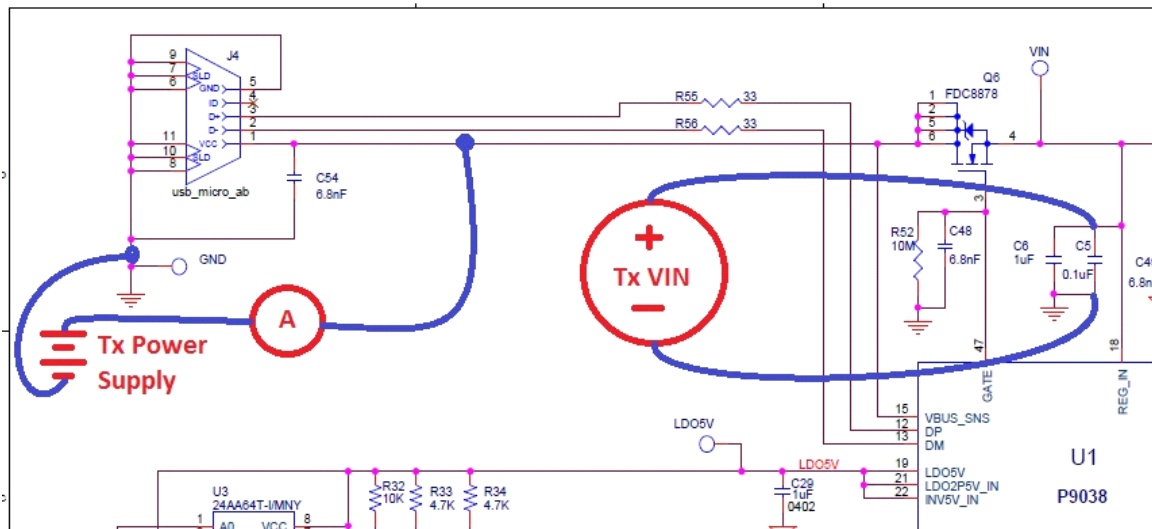
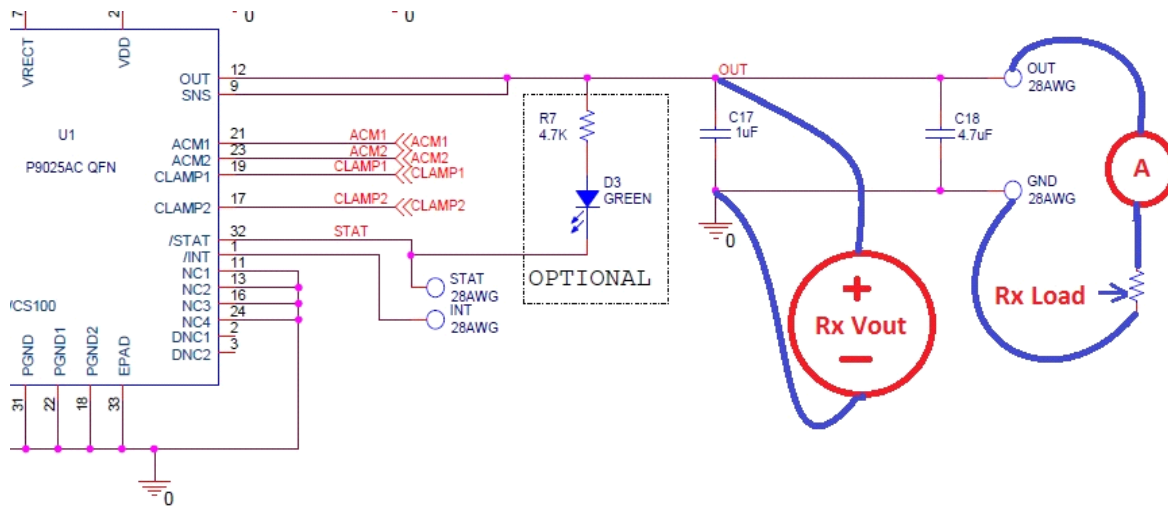
1. Create a bench setup that allows for accurate current measurements and voltage measurements of the system under design.
2. P9025AC measurements should take place directly across the OUT capacitor and the current should be measured as it leaves the P9025AC OUT node (see [Figure 4](#)).
3. P9038 current measurements should take place at any point along the input power line feeding the sense resistor and across the REG\_IN pin capacitor (see [Figure 4](#)).
4. Find the optimal alignment location by placing the Rx on the Tx and moving around the Tx surface until the input current to the Tx reaches the minimum RMS value while the Rx is connected to the Tx and the output is present and stable (This should typically occur at the point when the center Rx coil opening (inner diameter) is directly above the center of the opening in the Tx coil (inner diameter)).
5. Move the Rx coil exactly 5mm away from the Optimal Alignment Location in any direction.
6. Measure and record the input current, input voltage, and output voltage while sweeping the output load from 0 mA to 1000 mA in approximately 50mA steps. While doing so, fill in Columns B, C and D at each load current level listed in column A on the Measurements tab. The input and output power levels will be calculated for you. Ideally, this should be performed with the final assembled wireless Tx and Rx products being built and the opposite Tx or Rx IDT EVK. Enter these values in the left hand input table labeled First data set.
7. Move the Rx coil exactly 5mm away from the Optimal Alignment Location in any direction that is 90° Clock-wise or counter-clockwise from the direction chosen for step 5. For example, if the Rx was move +5mm in the x-direction in step 5, move the Rx ±5mm in the y-direction in step 7. Repeat step 6, with the exception of entering the data in the right hand data entry table (Columns: N,O, and P) labeled Second data set.
  - a. For fixed alignment systems, enter the same data collected in step 6 in the second table indicated in step 7 (enter the same data in both tables, First and Second data sets are identical).
8. Make sure that no cell in the Output Voltage (V) columns D and P turns RED in after entering all the data. If the Output Voltage columns turn RED the system is not performing properly and the new product should be debugged to determine the source of the excessive losses and they should be corrected before proceeding.
9. Check the fit of the resulting input power curve from of the system under test to the default curves displayed on the FOD\_Curves tab of the spreadsheet or check the 'Delta from Pre-programmed Banks' table on the Measurements tab for a column that has very few or no red cells. (see [Figure 5](#))
  - a. If all the cells in at least one bank are within -350 mW of the difference of input power and reported power, the cells will be white with black text (no red). That is the best fit FOD curve bank and should be selected. The necessary FOD2 offset value will be displayed in green below the table and the appropriate FOD2 resistor should be installed to result in that offset (if no FOD2 cell is green, it means the required offset shift is beyond the trim range).

In this case, use the determined FOD1 bank that has the green highlighted number beneath the Bank # by setting the specified FOD1 resistance (found above the Bank#). Then, set the FOD2 resistor value as shown for that bank. None of the available pre-programmed Banks meet the FOD thresholds at all load levels.
  - b. If no banks are free from red cells (or cells that are white with orange text), that means one or more points spanning the load has a variation greater than the input power transmitted or less than -350 mW from the input power compared to the pre-configured curves. The engineer has two options: look for a "good enough" fit where the variation exceeds 350 mW, or, come up with a custom set of values that will need to programmed into the device.

When the Bank# columns are comprised of black and orange numerical values, this means that the error for that bank is above target by more than 350mW after the necessary FOD2 Offset shift has been implemented. This means that foreign objects are expected to be capable of consuming more power than the WPC specification allows at each load level that corresponds to an orange texted cell. In this case, the spreadsheet predicts the best Bank to use regarding all load levels and will indicate the recommended bank by highlighting the suggested FOD1 and FOD2 resistances to use under the Bank# row. The listed values in the FOD1 section are the largest reported power error contained within the best fitting Bank and the system designer should determine if the error is acceptable for the product under design.

To determine custom values, Bank 8 or Bank 9 can be adjusted using the Hexadecimal values on the PR\_Banks tab until the selected bank column no longer has red cells. IDT will refer customers to a third party support team for programming the P9025AC with a custom FOD configuration.

**Figure 4. Power Measurement Connection Diagram**



**Figure 5. P9025AC\_FOD\_Calculator.xls Measurements Entry Tab (Second data set not shown but must also**



be filled in)

P9025AC Power Measurements										New System									
Rx Load Current (mA)	Input Voltage	Input Current	Output Voltage	Input Power ( Output Power (W)															
0	5.31	0.157	5.1	832.1	0														
30	5.29	0.189	5.099	999.81	152.97														
50	5.27	0.221	5.098	1164.67	254.9														
100	5.25	0.3	5.097	1575	509.7														
150	5.23	0.3285	5.096	1718.055	764.4														
200	5.21	0.37	5.095	1927.2	1019														
250	5.19	0.452	5.094	2345.88	1273.5														
300	5.17	0.482	5.093	2491.94	1527.9														
350	5.15	0.495	5.092	2543.25	1782.2														
400	5.13	0.568	5.091	2913.84	2036.4														
450	5.11	0.641	5.09	3275.51	2290.5														
500	5.09	0.714	5.089	3634.26	2544.5														
550	5.07	0.787	5.088	3990.09	2798.4														
600	5.05	0.86	5.087	4343	3052.2														
650	5.03	0.933	5.086	4692.39	3305.9														
700	5.01	1.006	5.085	5040.06	3559.5														
750	4.99	1.079	5.084	5384.21	3813														
800	4.97	1.152	5.083	5725.44	4066.4														
850	4.95	1.225	5.082	6063.75	4319.7														
900	4.93	1.298	5.081	6399.14	4572.9														
950	4.91	1.371	5.08	6731.61	4826														
1000	4.89	1.444	5.079	7061.16	5079														

Delta from Pre-programmed Banks											
Rx Load Current (mA)	Bank1	Bank2	Bank3	Bank4	Bank5	Bank6	Bank7	Bank8	Bank9	Bank10	
0	-47.9	118.1	-223.9	16.1	-143.9	80.1	80.1	832.1	832.1	-1247.9	
30	-202.6255469	-23.9360375	-335.5942969	-139.9702734	-259.6284766	-24.991	-248.09527	999.81	999.81	-1576.1	
50	-252.7225781	-72.2401625	-357.0038281	-190.9637891	-283.7274609	-1.798	-413.83879	1164.7	1164.7	-1741.8	
100	-379.7851663	-194.8203125	-412.3476563	-320.2657871	-345.7949211	-85.936	-830.01758	1575	1575	-2158	
150	-335.816875	-68.41179687	-385.5953906	-263.2282031	-272.6361663	-26.943	-314.04461	1718.1	1718.1	-2792.9	
200	-463.8625	-251.5890625	-573.167875	-442.0109375	-442.221875	-174.96	-488.43281	1927.7	1927.7	-3393.5	
250	-383.573125	-226.233281	-552.2039844	-412.2586719	-317.2723438	-114.45	-454.28602	2345.9	2345.9	-3785.6	
300	88.38921875	155.0845313	-245.0365625	109.0025	2.75640625	103.25	-159.28266	2491.9	2491.9	-4449.9	
350	-110.8925781	-83.74804687	-521.2226563	-118.84373	-192.1308594	-157.56	-402.50977	2549.3	2549.3	-5202.9	
400	-2.894375	-15.300625	-490.12875	-39.41	-79.738125	-110.08	-338.45688	2913.8	2913.8	-5648.6	
450	102.1838281	50.22679688	-461.9548438	37.10375	29.73460938	-67.527	-277.32398	3275.5	3275.5	-6097.2	
500	204.3420313	112.8342188	-436.7009375	110.6875	136.2873438	-26.892	-219.1109	3634.3	3634.3	-6548.8	
550	411.5021094	32.9528125	-33.76546875	166.0509375	95.5930625	385.97	-187.30844	3990.1	3990.1	-7003.2	
600	455.0859375	43.578125	-58.296875	242.59375	88.640625	409.78	-128.34375	4343	4343	-7460.6	
650	495.7497656	51.28296875	-85.7128125	316.2165625	78.76734375	430.67	-72.299063	4693	4693	-7920.9	
700	533.4935937	56.0678125	-15.1196875	386.919375	65.9740625	448.64	-19.174375	5040.1	5040.1	-8384.2	
750	568.3174219	57.9325625	-149.4110938	454.7021875	50.26078125	463.69	31.0303125	5384.2	5384.2	-8850.3	
800	600.22125	-38.2475	-312.7875	30.53375	-12.34125	508.47	28.47125	5725.4	5725.4	-9319.4	
850	629.2050781	-86.16796875	-107.7636719	63.91210937	-75.64257813	484.72	4.72070312	6063.7	6063.7	-9791.4	
900	655.2689062	-137.0083375	-187.1685938	94.37046875	-141.8639063	458.05	-21.949844	6399.1	6399.1	-10266	
950	678.4127344	-170.763063	-269.4935156	121.9088281	-211.0052344	428.46	-15.540391	6731.6	6731.6	-10744	
1000	698.6385625	-217.43375	-354.7384375	146.5271875	-283.065625	395.95	-84.050938	7061.2	7061.2	-11225	

FOD2 Offset = -698.6385625 251.5890625 573.167875 -454.7021875 449.221875 -508.47 830.017578 -7061.2 -7061.2 11225

Enter Input current/voltage and Output voltage

Select bank with no red cells or get Tuned Professionally or adjust Bank 8 or 9 to red-free

Apply FOD2 offset as indicated

P9025AC Power Measurements										New System									
Rx Load Current (mA)	Input Voltage	Input Current	Output Voltage	Input Power ( Output Power (mW)															
0	5.31	0.157	5.1	832.1	0														
30	5.29	0.189	5.099	999.81	152.97														
50	5.27	0.221	5.098	1164.67	254.9														
100	5.25	0.3	5.097	1575	509.7														
150	5.23	0.3285	5.096	1718.055	764.4														
200	5.21	0.37	5.095	1927.2	1019														
250	5.19	0.452	5.094	2345.88	1273.5														
300	5.17	0.482	5.093	2491.94	1527.9														
350	5.15	0.495	5.092	2543.25	1782.2														
400	5.13	0.568	5.091	2913.84	2036.4														
450	5.11	0.641	5.09	3275.51	2290.5														
500	5.09	0.714	5.089	3634.26	2544.5														
550	5.07	0.787	5.088	3990.09	2798.4														
600	5.05	0.86	5.087	4343	3052.2														
650	5.03	0.933	5.086	4692.39	3305.9														
700	5.01	1.006	5.085	5040.06	3559.5														
750	4.99	1.079	5.084	5384.21	3813														
800	4.97	1.152	5.083	5725.44	4066.4														
850	4.95	1.225	5.082	6063.75	4319.7														
900	4.93	1.298	5.081	6399.14	4572.9														
950	4.91	1.371	5.08	6731.61	4826														
1000	4.89	1.444	5.079	7061.16	5079														

The following table represents the difference between reported power by OTP Bank # and includes the contribution of the FOD2 Offset Adjustment to the reported power level											
Total Reported Power Differences (FOD1 Bank Selector plus FOD2 Offset Costs)	Bank 1	Bank 2	Bank 3	Bank 4	Bank 5	Bank 6	Bank 7	Bank 8	Bank 9	Bank 10	
0	150 to open	113	37.6	64.9	56.2	49.9	45.3	40.2	0 to 33.2		
30	Don't Use	Don't Use	Don't Use	-541.03	Don't Use	-585.51	-314.34	Don't Use	Don't Use	-11524.83	

Rx Load Current (mA)	Bank 1	Bank 2	Bank 3	Bank 4	Bank 5	Bank 6	Bank 7	Bank 8	Bank 9	Bank 10
0	252.10	-26.39	-192.62	316.30	-200.10	380.10	0.00	1032.10	1032.10	-1541.30
30	84.73	-191.56	-315.21	147.33	-401.03	254.44	-341.64	1239.81	1239.81	-1895.34
50	26.20	-248.22	-343.39	87.87	-438.54	240.38	-526.35	1464.67	1464.67	-2074.25
100	-121.93	-391.70	-417.59	-62.59	-519.13	178.42	-374.94	1875.00	1875.00	-2522.64
150	-35.62	-223.50	-354.32	36.77	-408.92	273.06	-334.14	2018.06	2018.06	-3092.85
200	-163.86	-406.67	-541.69	-142.01	-585.51	125.04	-568.53	2227.70	2227.70	-3693.51
250	-83.57	-391.32	-520.39	-112.26	-553.56	185.55	-534.39	2645.88	2645.88	-4095.63
300	388.38	-0.00	-213.16	408.00	-153.59	403.25	-239.38	2791.34	2791.34	-4743.88
350	189.11	-238.83	-433.34	181.16	-339.43	142.44	-482.61	2843.25	2843.25	-5502.97
400	297.11	-170.39	-458.95	260.59	-216.03	188.92	-415.56	3213.84	3213.84	-5348.58
450	402.16	-104.86	-430.60	337.10	-106.55	232.47	-357.42	3575.51	3575.51	-6397.21
500	504.34	-42.25	-405.42	410.70	0.00	273.11	-299.21	3934.26	3934.26	-6848.77
550	711.50	-122.13	-449.05	466.05	-40.69	685.37	-267.41	4290.09	4290.09	-7503.24
600	755.03	-111.51	-471.02	542.59	-47.85	709.79	-208.44	4643.00	4643.00	-7760.63
650	795.15	-103.80	-444.47	616.22	-51.52	730.61	-152.40	4992.39	4992.39	-8220.95
700	833.43	-93.02	-484.84	686.92	-70.31	748.64	-39.27	5340.06	5340.06	-8684.16
750	868.32	-87.15	-488.13	754.70	-86.03	763.63	-43.07	5684.21	5684.21	-9150.33
800	900.22	-193.33	0.00	830.53	-148.63	808.47	-156.3	6025.44	6025.44	-9619.40
850	929.21	-241.25	-76.48	903.31	-211.93	844.72	-75.38	6363.75	6363.75	-10031.40
900	955.27	-292.09	-155.89	974.37	-278.15	879.05	-102.05	6699.14	6699.14	-10566.31
950	978.41	-345.35	-238.21	1041.91	-347.29	916.45	-131.64	7031.61	7031.61	-11044.14
1000	998.64	-401.25	-323.43	1116.53	-419.33	955.95	-164.15	7361.16	7361.16	-11524.83

FOD2 Offset Resistance (kΩ)	500.00	1000	45.28	500.00	916.2	500.00	68.21	500.00	500.00	25.00
FOD2 Offset Required (k)	-638.64	-155.08	31.28	-454.70	-136.28	-508.47	-80.10	-7061.16	-7061.16	1247.30

\* If calculated value of FOD2 based on selected Bank # from above is red, offset adjustment is out of range and is not sufficient to compensate, use a different Bank #

Measure Input voltage and current and measure output voltage at each indicated Rx Load Current Level.

Select Bank associated with the 'Green' Cell Install FOD1 resistance indicated above Bank #

Install FOD2 resistance indicated in cell of select Bank #

### **Option #3: WPC-compliant FOD**

In order to program the FOD parameters with a high degree of accuracy, an AVID Technologies system (Qi FOD Transmitter / Receiver) or Nok9 system (CATS LP100 MDT & BST Reference Testers) should be used in conjunction with calibrated lab equipment. These laboratories offer excellent Qi compliance FOD determination services and they are recommended.

Due to the cost associated with these items or services, it is recommended to consider Option #2 if WPC certification is not a hard requirement. IDT will refer customers to a third party support team for tuning and pre-certification testing.

---

## Revision History

Rev. 08/10/2015 Initial release  
Rev. 08/26/2015 Fixed typo in Equation 4



**Corporate Headquarters**  
6024 Silver Creek Valley Road  
San Jose, CA 95138 USA

**Sales**  
1-800-345-7015 or 408-284-8200  
Fax: 408-284-2775  
www.IDT.com

**Tech Support**  
[www.idt.com/support/technical-support](http://www.idt.com/support/technical-support)

DISCLAIMER Integrated Device Technology, Inc. (IDT) and its subsidiaries reserve the right to modify the products and/or specifications described herein at any time and at IDT's sole discretion. All information in this document, including descriptions of product features and performance, is subject to change without notice. Performance specifications and the operating parameters of the described products are determined in the independent state and are not guaranteed to perform the same way when installed in customer products. The information contained herein is provided without representation or warranty of any kind, whether express or implied, including, but not limited to, the suitability of IDT's products for any particular purpose, an implied warranty of merchantability, or non-infringement of the intellectual property rights of others. This document is presented only as a guide and does not convey any license under intellectual property rights of IDT or any third parties.

IDT's products are not intended for use in applications involving extreme environmental conditions or in life support systems or similar devices where the failure or malfunction of an IDT product can be reasonably expected to significantly affect the health or safety of users. Anyone using an IDT product in such a manner does so at their own risk, absent an express, written agreement by IDT.

Integrated Device Technology, IDT and the IDT logo are registered trademarks of IDT. Product specification subject to change without notice. Other trademarks and service marks used herein, including protected names, logos and designs, are the property of IDT or their respective third party owners.

Copyright ©2015 Integrated Device Technology, Inc.. All rights reserved.