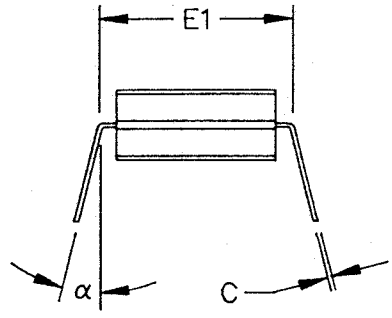
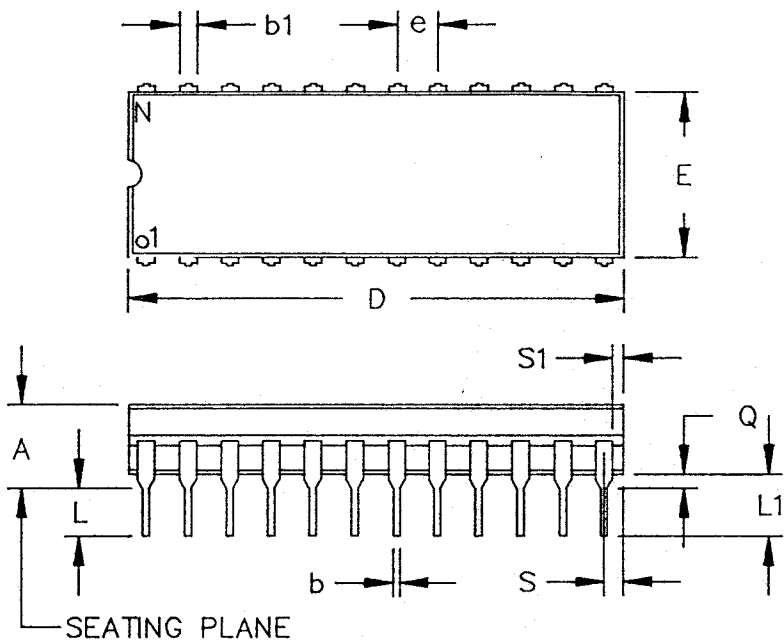
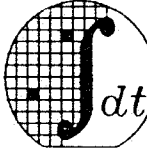


REV	DCN	DESCRIPTION	DATE	APPROVED
06	17517	UPDATED TO STANDARDIZE DWG	6/20/90	P. Mueller



- NOTES: (UNLESS OTHERWISE SPECIFIED)
1. ALL DIMENSIONS ARE IN INCHES.
 2. BSC - BASIC LEAD SPACING BETWEEN CENTERS.
 3. SYMBOL "N" REPRESENTS THE NUMBER OF LEADS.

SYMBOL	MIN	MAX			CONFIGURATION	EXCEPTIONS		
A	.140	.200			D-9	NONE		
b	.015	.021	MIL-M-38510		MO-058-AA	NONE		
b1	.045	.065	JEDEC					
C	.009	.014	TOLERANCES UNLESS OTHERWISE SPECIFIED FRAC DEC ANGLES ± - ± - ± -		 Integrated Device Technology, Inc. 3236 Scott Blvd., Santa Clara, CA 95051 (408) 727-6116 FAX: (408) 727-2328			
D	1.240	1.280						
E	.285	.310						
E1	.300	.320	APPROVALS	DATE				
e	.100 BSC		DRAWN	03/90	24 LD CERDIP MKT DWG (300 MIL)			
L	.125	.175	CHECKED	6/90				
L1	.150	-						
Q	.015	.060			SCALE	SIZE	DRAWING NO.	REV
S	.030	.080			N/A	A	PSC-2022	06
S1	.005	-			DO NOT SCALE DRAWING			SHEET 2 OF 2
alpha	0°	15°						
N	24							