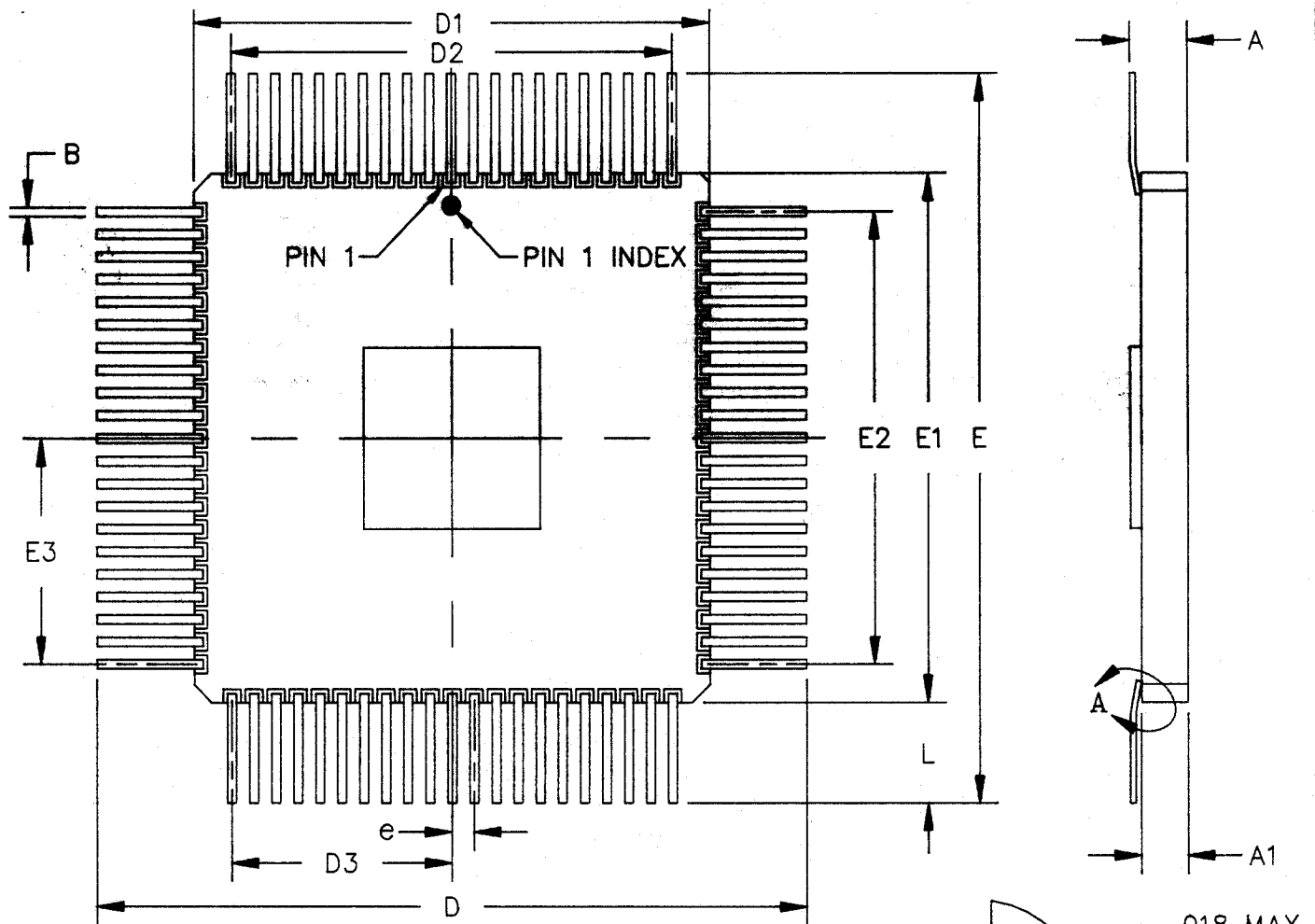
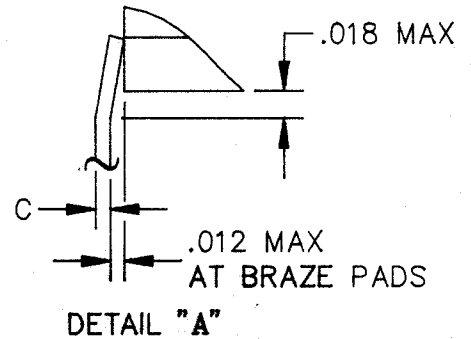


REV	DCN	DESCRIPTION	DATE	APPROVAL
00	19251	ORIGINAL ISSUE	10/23/90	
01	20679	CHANGED D/E DIM	6/21/91	<i>B. Ouan</i>



- NOTES: (UNLESS OTHERWISE SPECIFIED)
1. ALL DIMENSIONS ARE IN INCHES.
 2. BSC - BASIC LEAD SPACING BETWEEN CENTERS.
 3. SYMBOL "N" REPRESENTS NUMBER OF LEADS.

JEDEC	NOT REGISTERED
EXCEPTIONS	
MIL-M-38510	NOT LISTED
EXCEPTIONS	



SYMBOL	MIN	MAX
A	-	.140
A1	-	.105
B	.014	.020
C	.007	.013
D/E	1.940	1.960
D1/E1	1.130	1.170
D2/E2	1.000 BSC	
D3/E3	.500 BSC	
e	.050 BSC	
L	.350	.450
N	84	
ND/NE	21	

TOLERANCES UNLESS OTHERWISE SPECIFIED	
FRAC	DEC
± -	± -
± -	± -
APPROVALS	DATE
DRAWN <i>Ad</i>	10/90
CHECKED <i>BR</i>	6/25/91



Integrated Device Technology, Inc.

3236 Scott Blvd., Santa Clara, CA 95051

(408) 727-6116 FAX: (408) 727-2328

84 LD QUAD FLAT PACK
(CAVITY UP) - MKT DWG

SCALE	SIZE	DRAWING NO.	REV
N/A	A	PSC-2087	01

DO NOT SCALE DRAWING

SHEET 2 OF 2