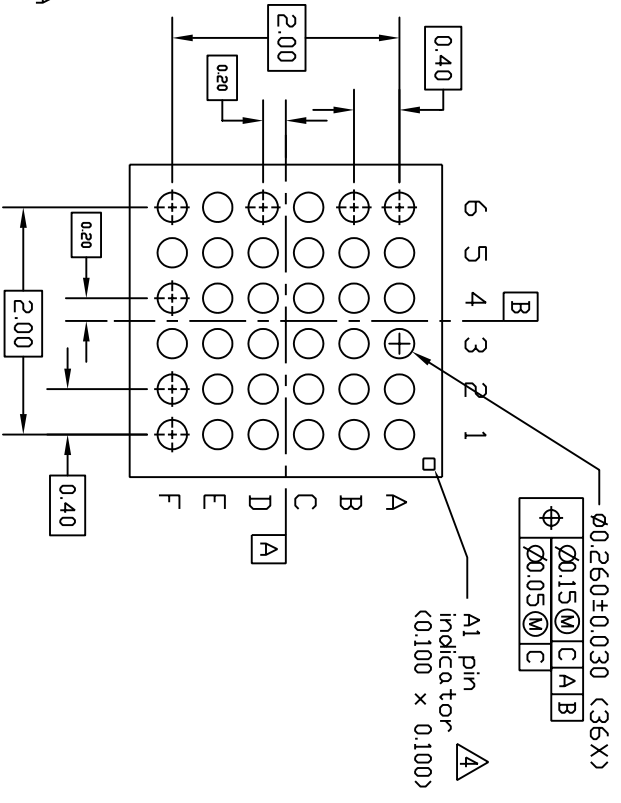
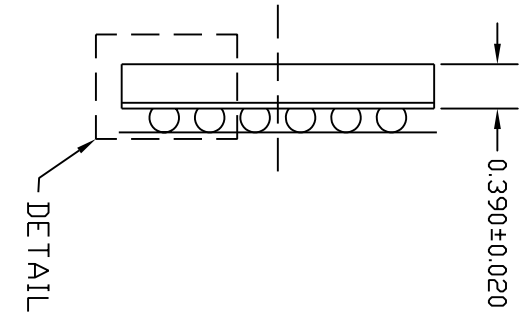
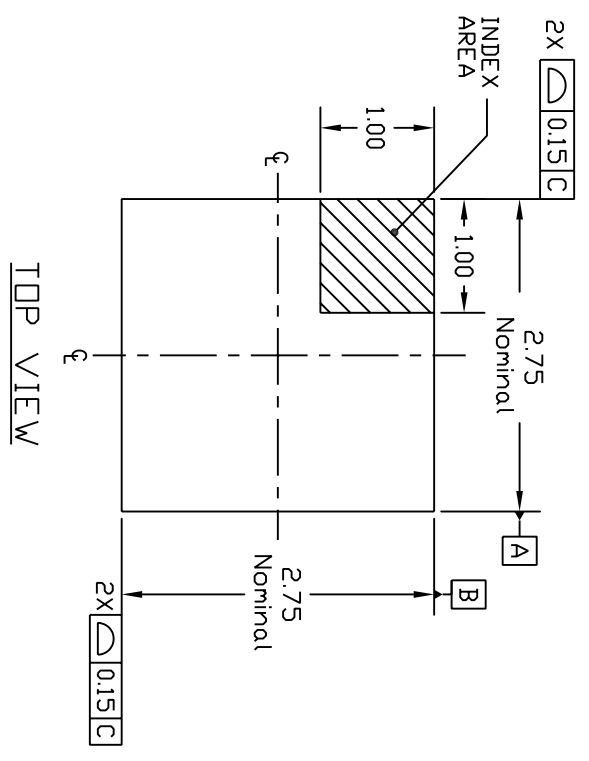


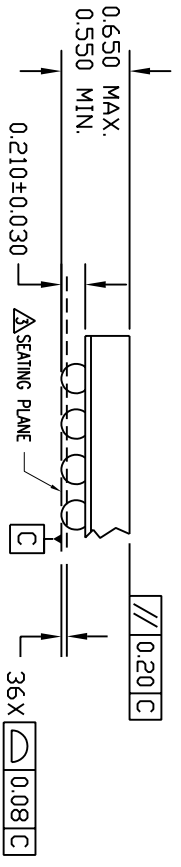
NOTES:

1. ALL DIMENSIONS AND TOLERANCES ARE PER ASME Y14.5M-1994.
 2. ALL DIMENSIONS ARE IN MILLIMETERS.
- ▲ SEATING PLANE AND PRIMARY DATUM -C- ARE DEFINED BY THE CONTACT POINTS OF THREE OR MORE SOLDER BALLS THAT SUPPORT THE DEVICE WHEN PLACED ON A TOP OF A PLANAR SURFACE.
- ▲ BOTTOM PIN#1 INDICATOR OPTIONAL.

REVISIONS		DCN	REV	DESCRIPTION	DATE	APPROVED
			00	INITIAL RELEASE	02/04/11	MJR



DETAIL A
(ROTATED 90 DEG CW)



TOLERANCES UNLESS SPECIFIED		6024 SILVER CREEK VALLEY ROAD, SAN JOSE, CA 95138	
DECIMAL	ANGULAR	PHONE: (408) 284-8200	
xxx± 0.05	±	WWW.IDT.COM	
xxxx± 0.012	±	WWW.IDT.COM	
xxxx±		FAK: (408) 284-3572	
APPROVALS	DATE	TITLE	SIZE
DRAWN <i>MJR</i>	19/11/10	AHC36 PACKAGE OUTLINE	C
CHECKED		2.75 x 2.75 mm BODY	DRAWING No.
		0.4mm PITCH DSBGA	PSC-4319
		DO NOT SCALE DRAWING	REV
			00
			SHEET 1 OF 1