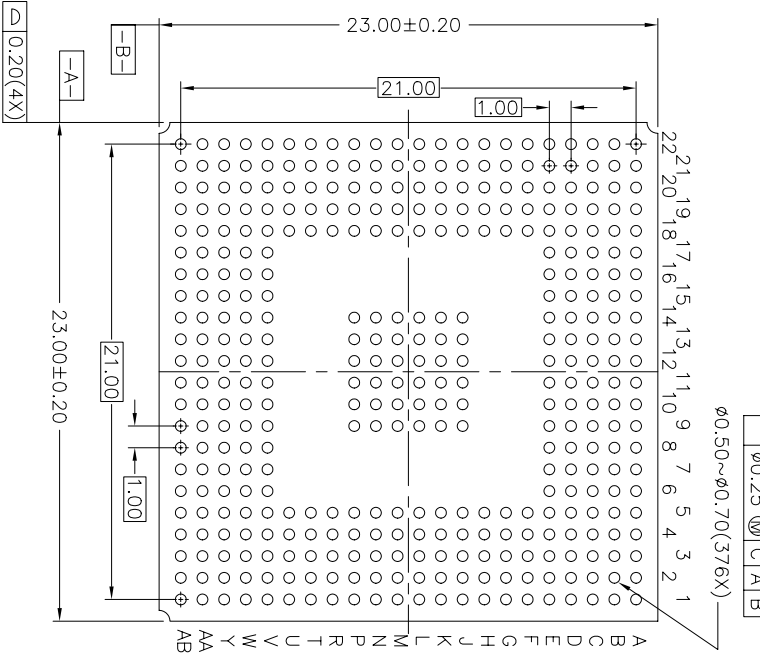
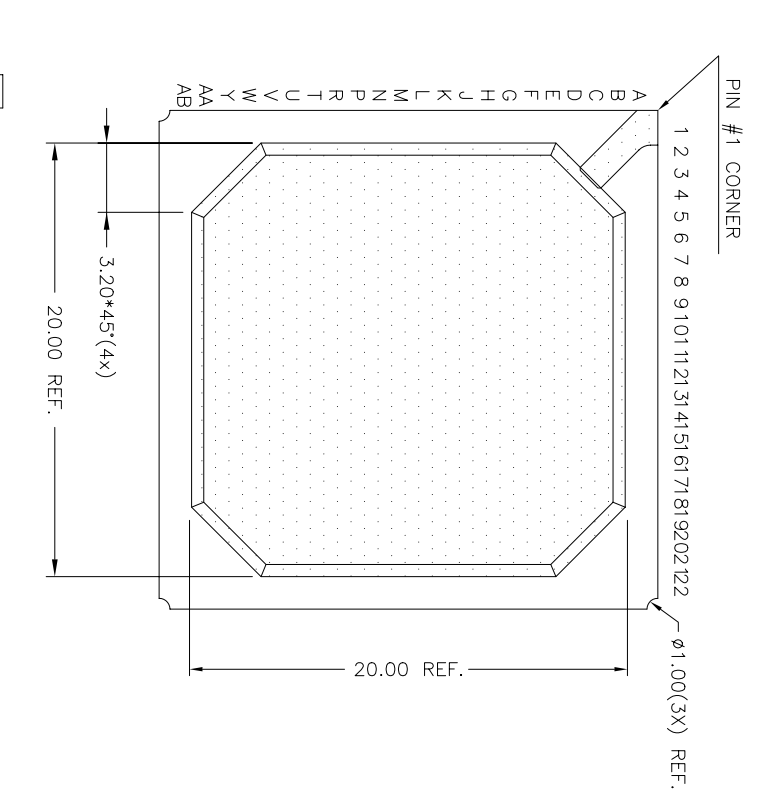
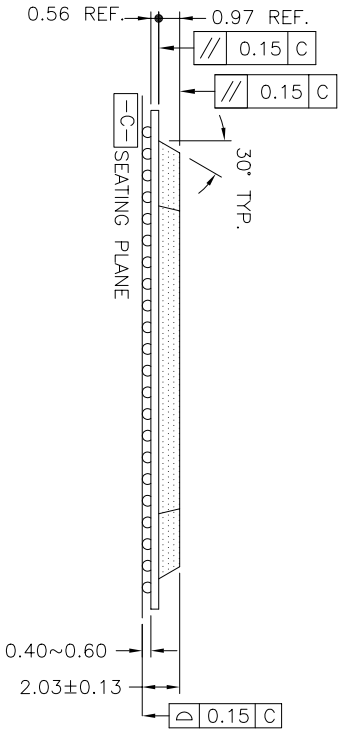


REVISIONS				
DCN	REV	DESCRIPTION	DATE	APPROVED
00		INITIAL RELEASE	07/08/09	P.PAIK



Ball Pitch :	1.0	Substrate Thickness :	0.56
Ball Diameter :	0.6	Mold Thickness :	0.97



TOLERANCES
UNLESS SPECIFIED
DECIMAL ±0.10
ANGULAR ±1°

www.IDT.com

6024 SILVER CREEK
VALLEY ROAD, SAN JOSE,
CA 95138
PHONE: (408) 284-8200
FAX: (408) 284-3572

AM/AMG 376 PACKAGE OUTLINE
23 x 23 mm BODY
1.00 mm PITCH PBGA

APPROVALS	DATE	SIZE	DRAWING No.	REV
DRAMN <i>QAC</i>	7/7/09	C	PSC-4269	00
CHECKED				

DO NOT SCALE DRAWING

SHEET 1 OF 1