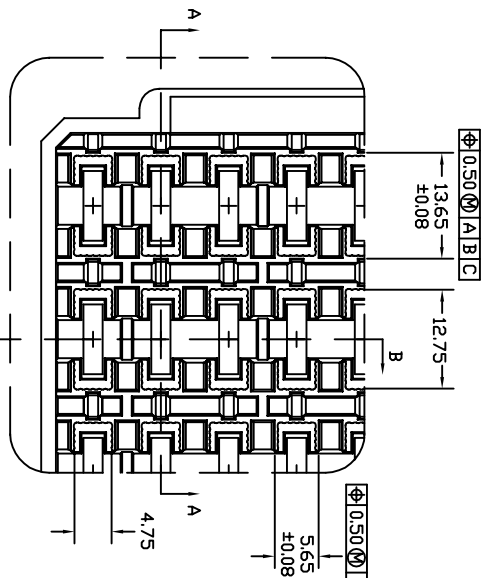


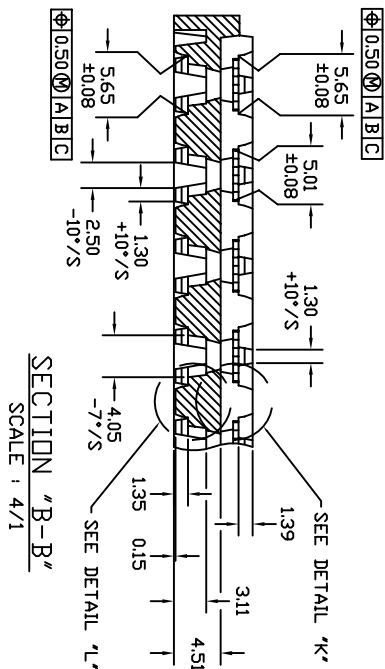
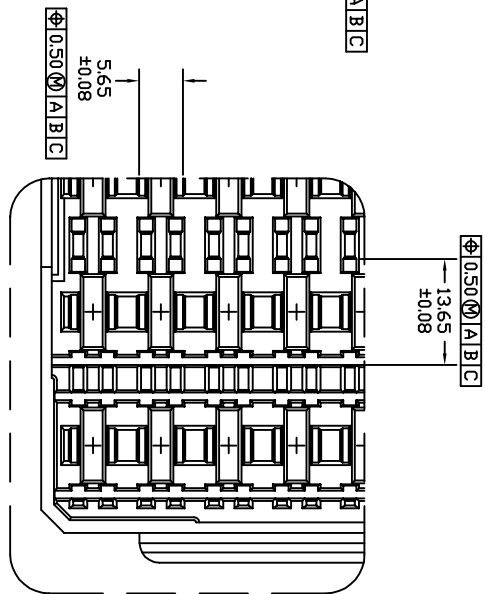
NOTES : (UNLESS OTHERWISE SPECIFIED)  
 1. ALL DIMENSIONS ARE IN mm.  
 2. NUMBER OF POCKET : 15 X 18 = 270 POCKETS

TOLERANCES UNLESS OTHERWISE SPECIFIED DECIMAL 1 XX ± .10		APPROVALS		DATE	
		DRAWN		SCALE	
		DATE		N/A	
WWW.IDT.COM		TITLE:		BF/BFG 96 SHIPPING TRAY	
6024 Silver Creek Valley Road, San Jose, CA 95138 PHONE: (408) 284-8200 FAX: (408) 284-3572		STOCK NO.		DRAWING NO.	
		N/A		MSC-1484-A	
		DO NOT SCALE DRAWING		REV 00	
		SHEET 1 OF 2			

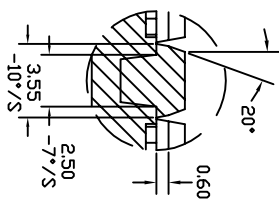
TOP VIEW  
DETAIL "B"  
SCALE : 3/1  
(FROM SHT.#1)



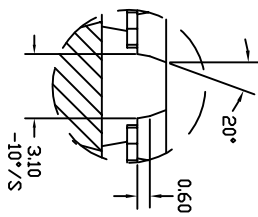
BOTTOM VIEW  
DETAIL "B"  
SCALE : 3/1  
(FROM SHT.#1)



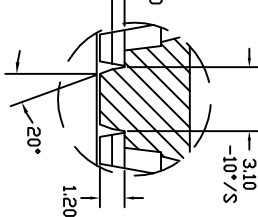
SECTION "B-B"  
SCALE : 4/1



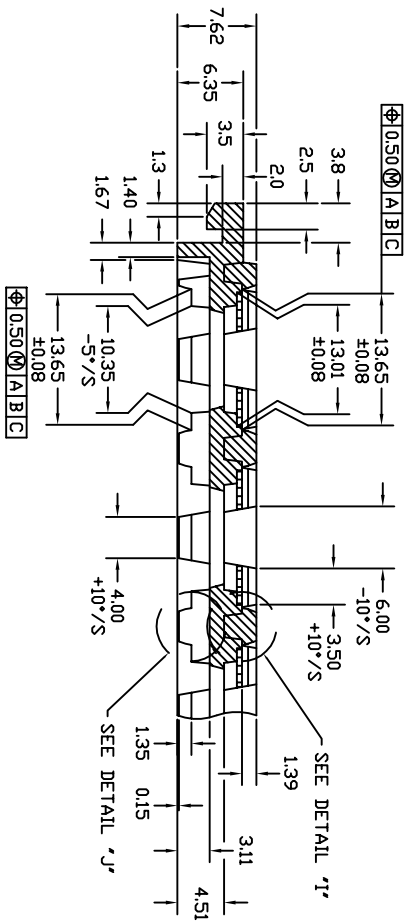
DETAIL "I"  
SCALE : 8/1



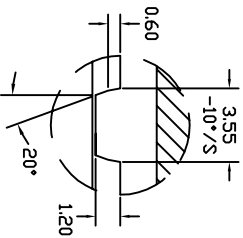
DETAIL "K"  
SCALE : 8/1



DETAIL "L"  
SCALE : 8/1



SECTION "A-A"  
SCALE : 4/1



DETAIL "J"  
SCALE : 8/1

TOLERANCES UNLESS OTHERWISE SPECIFIED  
DECIMAL  
XX ± .10  
ANGLE



6024 Silver Creek Valley Road,  
San Jose, CA 95138  
PHONE: (408) 284-8200  
FAX: (408) 284-3572

APPROVALS DATE

TITLE:

BF/BFG 96 SHIPPING TRAY

SCALE  
N/A

STOCK NO.

N/A

DRAWING NO.

MSC-1484-A

REV

00

DO NOT SCALE DRAWING

SHEET 2 OF 2