

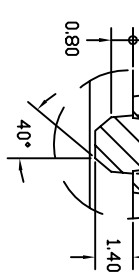
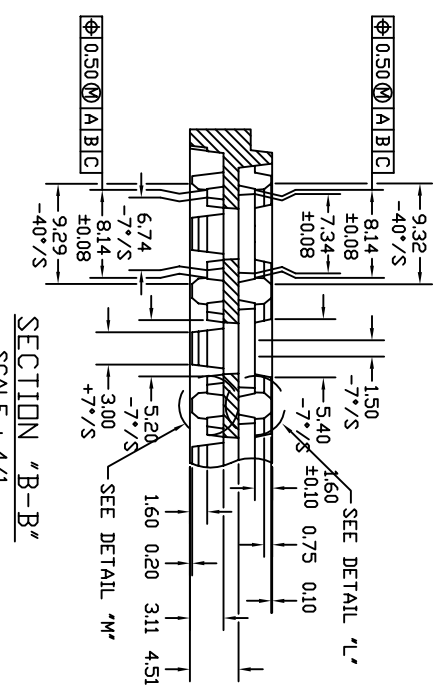
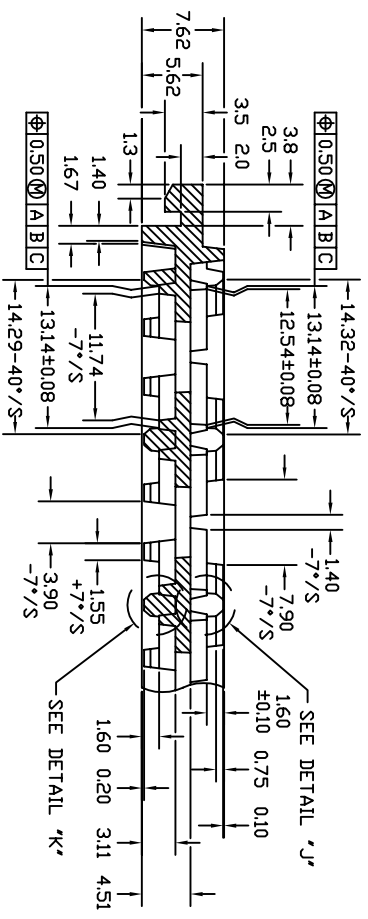
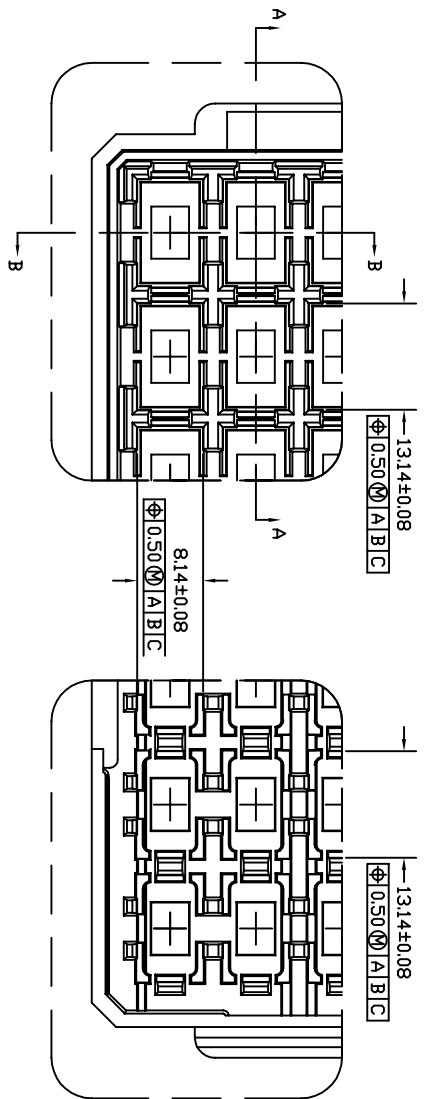
NOTES : (UNLESS OTHERWISE SPECIFIED)
1. NUMBER OF POCKET : 12 X 20 = 240 POCKETS


TOLERANCES UNLESS OTHERWISE SPECIFIED
DECIMAL : X ±.25
 XX ±.13
 XXX ±.13
ANGLE : ±5°
ANGULAR : ±



6024 Silver Creek Valley Road,
San Jose, CA 95138
PHONE: (408) 284-8200
FAX: (408) 284-3572

TITLE:		BK/BKG150 SHIPPING TRAY	
STOCK NO.	N/A	DRAWING NO.	MSC-4775-A
REV	N/A	SCALE	N/A
DO NOT SCALE DRAWING	SHEET 1 OF 2		



TOLERANCES UNLESS OTHERWISE SPECIFIED	
DECIMAL :	.X ±.25
	.XX ±.13
	.XXX ±.13
ANGLE :	±5°
ANGULAR :	±
	
6024 Silver Creek Valley Road, San Jose, CA 95138 PHONE: (408) 284-8200 FAX: (408) 284-3572	
WWW.IDT.COM	
TITLE:	BK/BKG150 SHIPPING TRAY
STOCK NO.	N/A
DRAWING NO.	MSC-4775-A
REV	00
SCALE	N/A
SIZE	N/A
DO NOT SCALE DRAWING	SHEET 2 OF 2