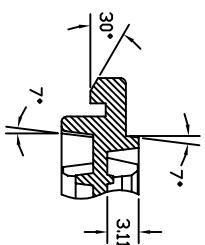


SECTION "X-X"

SECTION "Y-Y"

TRAY STACKING DETAIL
SCALE: 3/1



DETAIL "H"
SCALE: 4/1

NOTES: (UNLESS OTHERWISE SPECIFIED)
1. NUMBER OF POCKET: 8 X 17 = 136 POCKETS

TOLERANCES UNLESS OTHERWISE SPECIFIED
DECIMAL: X ±.25
XX ±.13
.XXX ±.13
ANGLE: ±5°
ANGULAR: ±



6024 Silver Creek Valley Road,
San Jose, CA 95138
PHONE: (408) 284-8200
FAX: (408) 284-3572

TITLE:

BQ/BQG165 SHIPPING TRAY

SCALE
N/A

SIZE
N/A

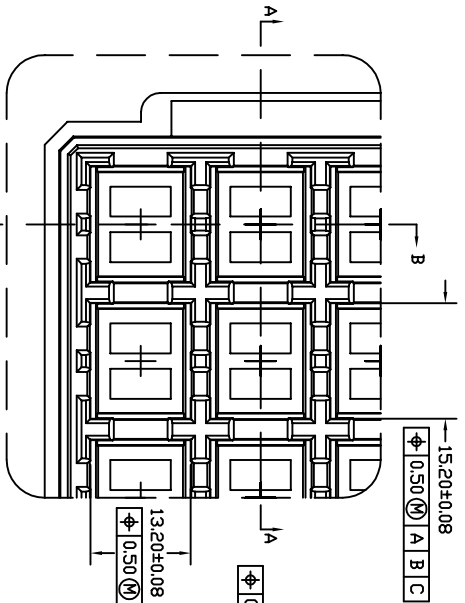
STOCK NO. N/A

REV
00

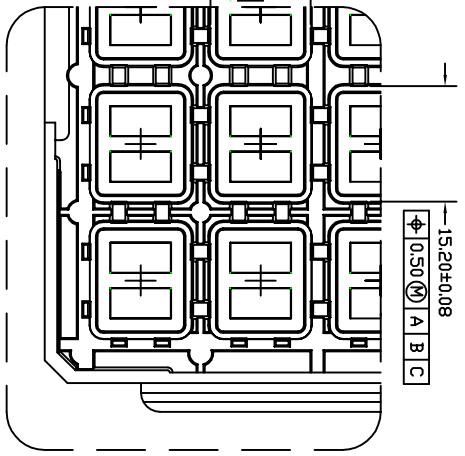
DRAWING NO. MSC-4756-A

DO NOT SCALE DRAWING

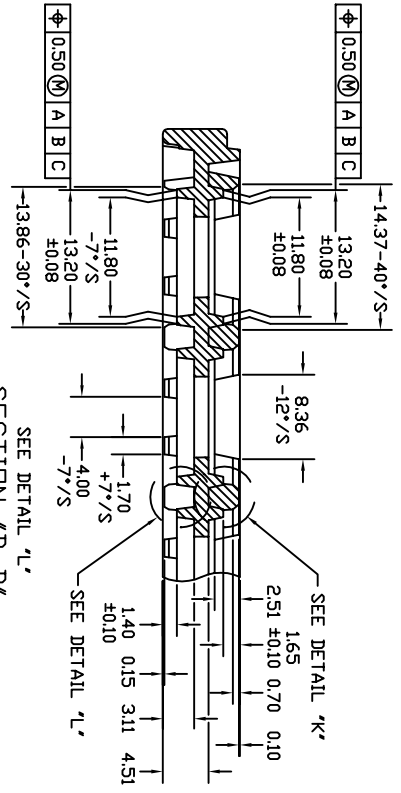
SHEET 1 OF 2



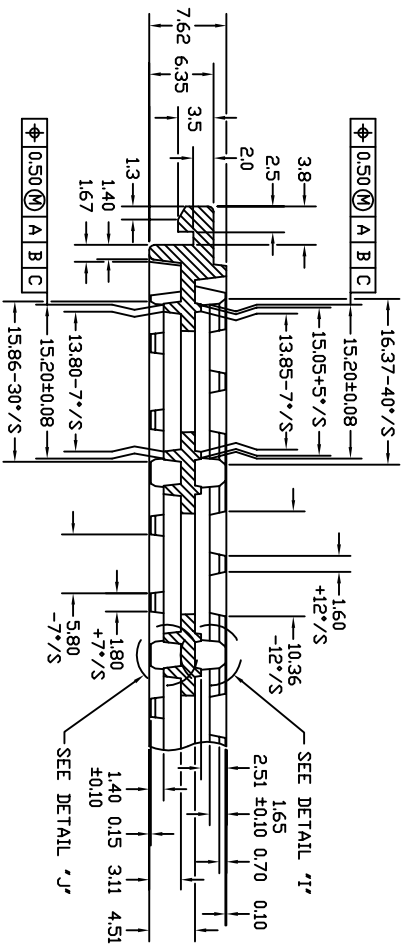
DETAIL "B"
SCALE : 3/1
(FROM SHT.#1)



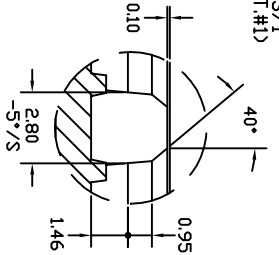
DETAIL "B"
SCALE : 3/1
(FROM SHT.#1)



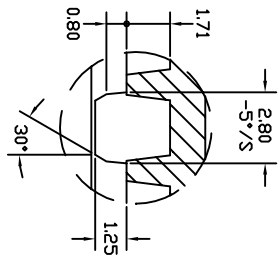
SECTION "B-B"
SCALE : 4/1



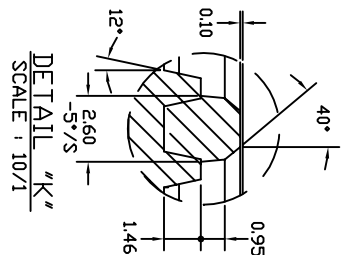
SECTION "A-A"
SCALE : 4/1



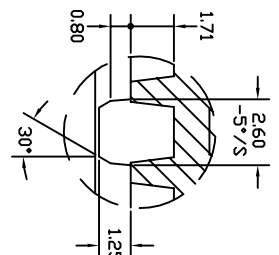
DETAIL "I"
SCALE : 10/1



DETAIL "J"
SCALE : 10/1



DETAIL "K"
SCALE : 10/1



DETAIL "L"
SCALE : 10/1

TOLERANCES UNLESS OTHERWISE SPECIFIED
DECIMAL :
.X ±.25
.XX ±.13
.XXX ±.13
ANGLE : ±5°
ANGULAR : ±



6024 Silver Creek Valley Road,
San Jose, CA 95138
PHONE: (408) 284-8200
FAX: (408) 284-3572

TITLE: BQ/BQG165 SHIPPING TRAY

STOCK NO.	DRAWING NO.	SCALE
N/A	MSC-4756-A	N/A
DO NOT SCALE DRAWING	REV	N/A
	00	
	SHEET 2 OF 2	