

NOTES : (UNLESS OTHERWISE SPECIFIED)
 1. NUMBER OF POCKET : 8 X 23 = 184 POCKETS

TOLERANCES UNLESS OTHERWISE SPECIFIED
 DECIMAL : X ±.25
 .XX ±.13
 .XXX
 ANGLE : ±0.5°
 ANGULAR : ±



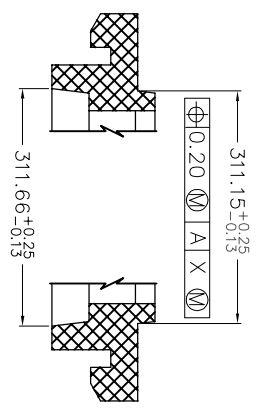
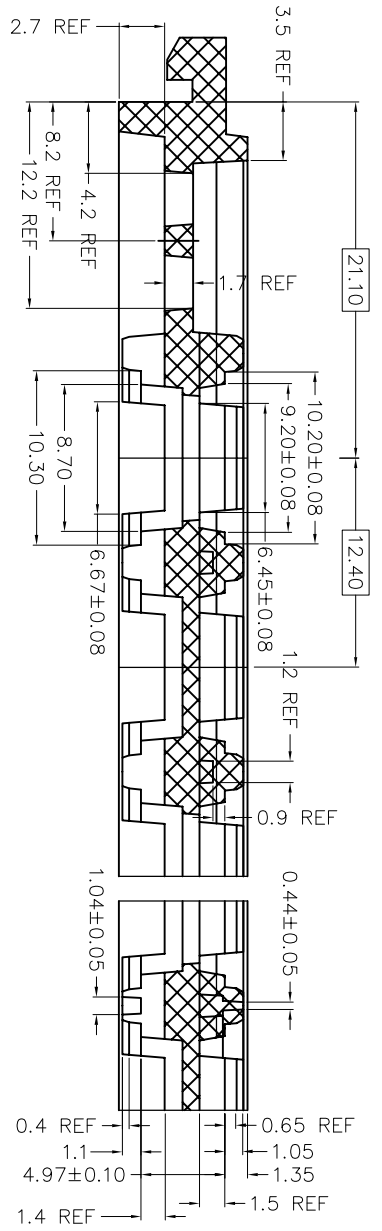
6024 Silver Creek Valley Road,
 San Jose, CA 95138
 PHONE: (408) 284-8200
 FAX: (408) 284-3572

TITLE:
 BTG 180 SHIPPING TRAY (OID
 DIVISION)

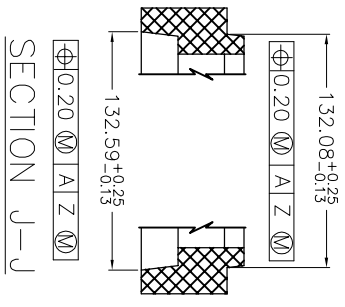
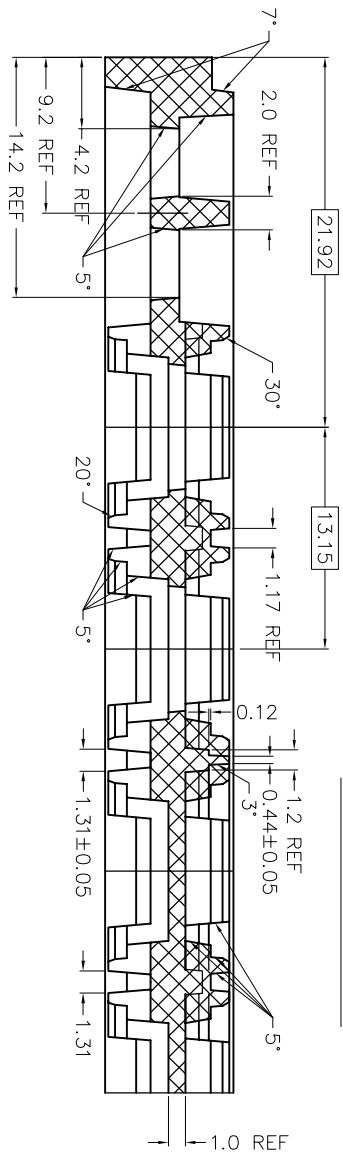
SCALE
 N/A

STOCK NO. N/A
 DRAWING NO. MSC-7969-A
 REV 00
 DO NOT SCALE DRAWING SHEET 1 OF 2

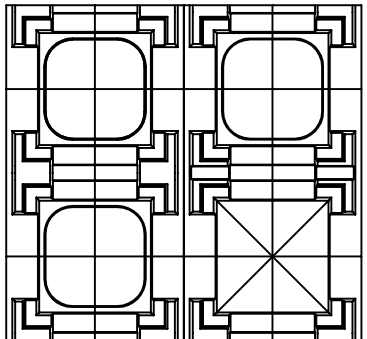
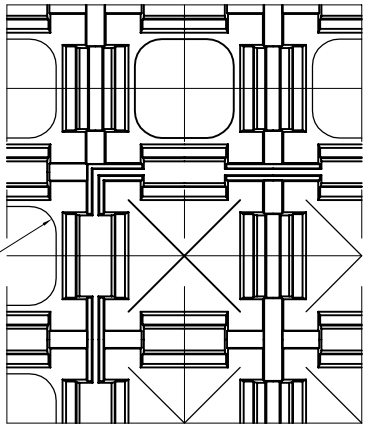
SECTION A-A



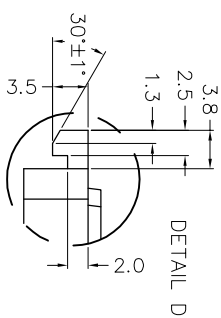
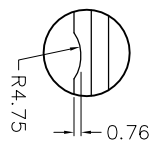
SECTION B-B



SECTION J-J



BOTTOM VIEW OF CELL



NOTE: SCALLOP IS CENTERED ON SIDE OF TRAY

TOLERANCES UNLESS OTHERWISE SPECIFIED
 DECIMAL : X ± .25
 .XX ± .13
 .XXX
 ANGLE : ± 0.5°
 ANGULAR : ±



6024 Silver Creek Valley Road,
 San Jose, CA 95138
 PHONE: (408) 284-8200
 FAX: (408) 284-3572

TITLE:		BITG 180 SHIPPING TRAY (OID DIVISION)	
STOCK NO.	N/A	DRAWING NO.	MSC-7969-A
REV	N/A	SCALE	N/A
DO NOT SCALE DRAWING		SHEET 2 OF 2	