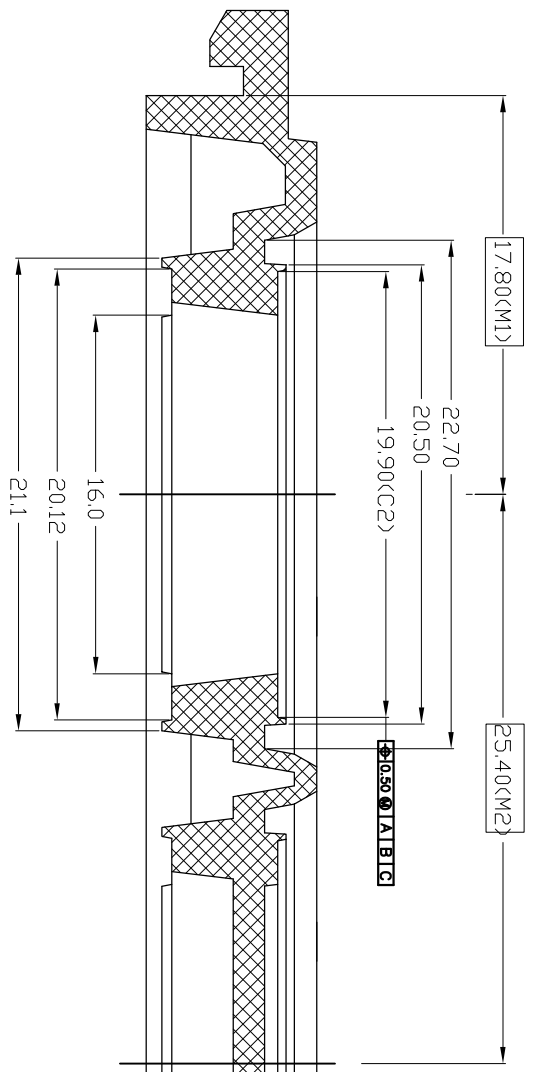


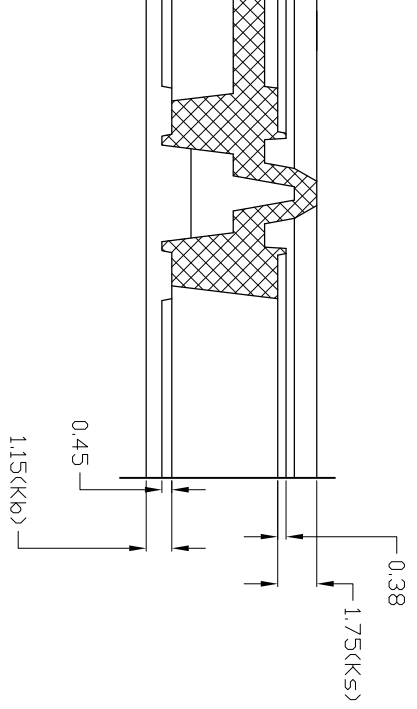
TOLERANCES UNLESS OTHERWISE SPECIFIED
 DECIMAL : X ±.25
 .XX ±.13
 .XXX ±.13
 ANGLE : ±5°
 ANGULAR : ±

IDT
 www.IDT.com
 6024 Silver Creek Valley Road,
 San Jose, CA 95138
 PHONE: (408) 284-8200
 FAX: (408) 284-3572

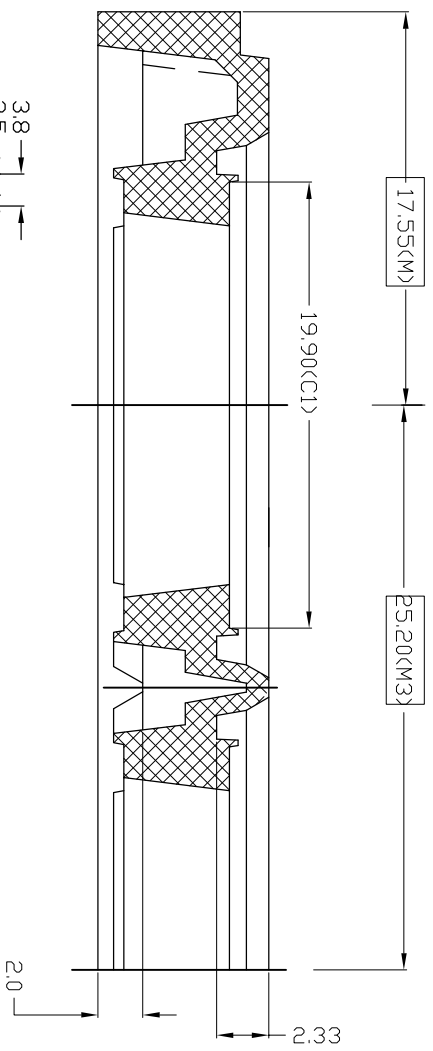
TITLE:	DA/DAG144/176,DD/DDG144 & EK/EK144 SHIPPING TRAY	SCALE:	N/A
STOCK NO.	N/A	SIZE:	N/A
DRAWING NO.	MSC-7010-A	REV:	00
DO NOT SCALE DRAWING	SHEET 1 OF 2		



SECTION A-A



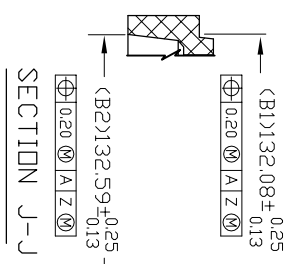
SECTION B-B



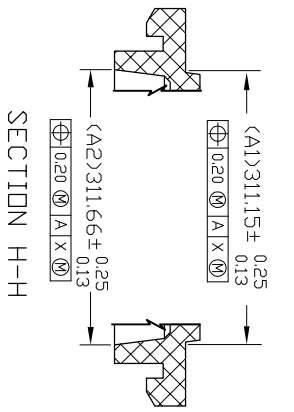
DETAIL D

DETAIL C

NOTE: SCALLUP IS CENTERED ON SIDE OF TRAY



SECTION J-J



SECTION H-H

TOLERANCES UNLESS OTHERWISE SPECIFIED
 DECIMAL : X ±.25
 .XX ±.13
 .XXX ±.13
 ANGLE : 45°
 ANGULAR : ±



6024 Silver Creek Valley Road,
 San Jose, CA 95138
 PHONE: (408) 284-8200
 FAX: (408) 284-3572

TITLE:		DA/DAG144/176,DD/DDG144 & EK/EKG144 SHIPPING TRAY	
STOCK NO.	N/A	DRAWING NO.	MSC-7010-A
REV		SCALE	N/A
DO NOT SCALE DRAWING		SHEET 2 OF 2	