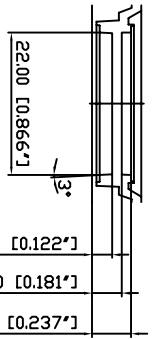
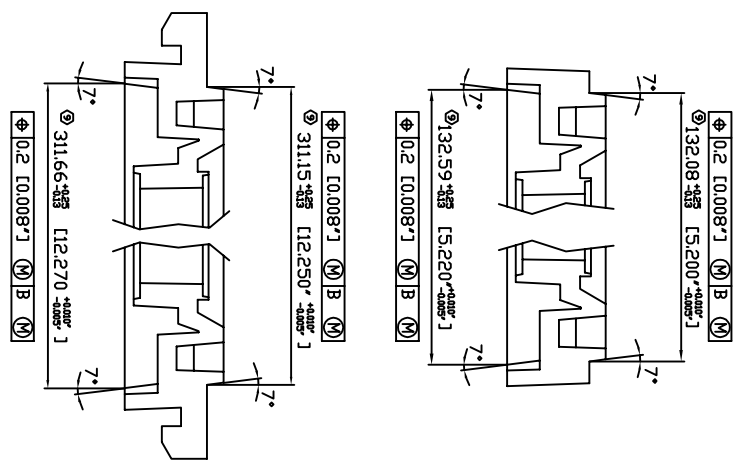


SECTION C-C

3.10 [0.122']
4.60 [0.181']
6.02 [0.237']



TRAY STAKING DETAIL



TOLERANCES UNLESS OTHERWISE SPECIFIED
DECIMAL : X ±.25
.XX ±.13
.XXX ±.13
ANGLE : ±5°
ANGULAR : ±

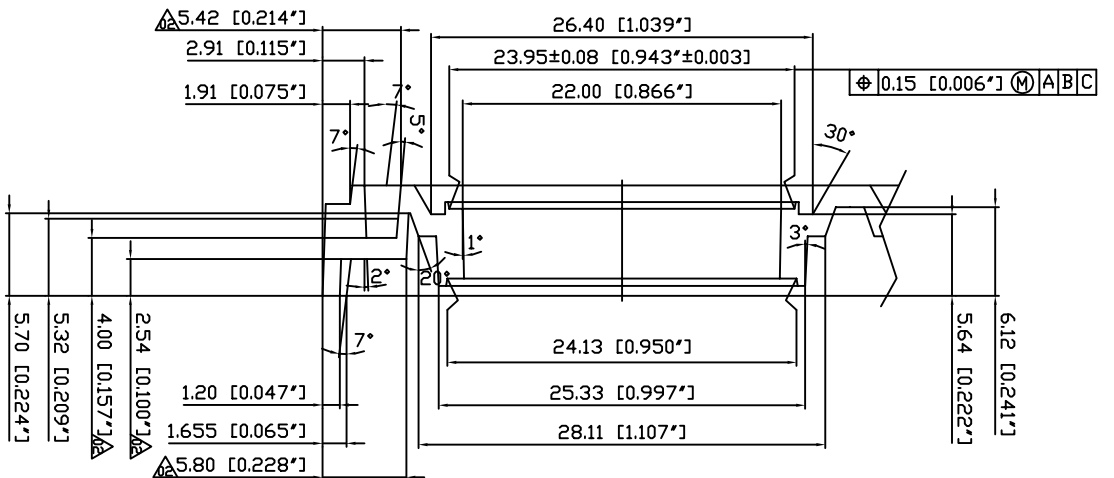
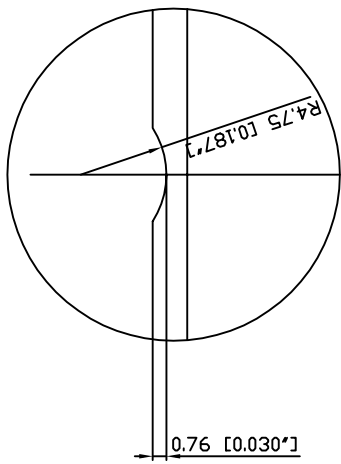
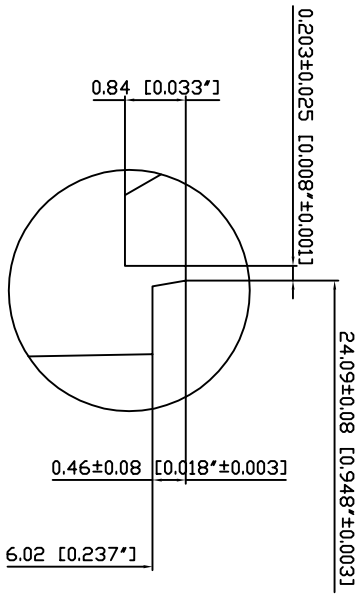
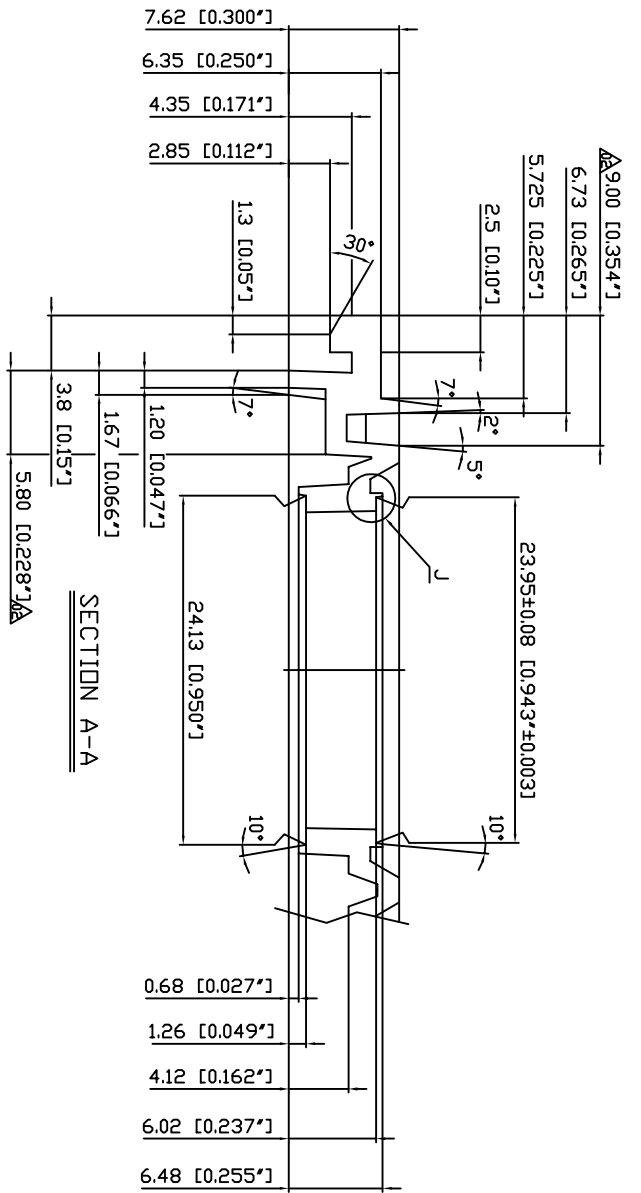


www.IDT.com

6024 Silver Creek Valley Road,
San Jose, CA 95138
PHONE: (408) 284-8200
FAX: (408) 284-3572

TITLE:
EQG176 SHIPPING TRAY

STOCK NO.	N/A	DRAWING NO.	MSC-5947-A	REV	00
SCALE	N/A	SIZE	N/A	DO NOT SCALE DRAWING	SHEET 1 OF 2



TOLERANCES UNLESS OTHERWISE SPECIFIED
 DECIMAL : X ±.25
 .XX ±.13
 .XXX ±.13
 ANGLE : 45°
 ANGULAR : ±



6024 Silver Creek Valley Road,
 San Jose, CA 95138
 PHONE: (408) 284-8200
 FAX: (408) 284-3572

TITLE:

EQG176 SHIPPING TRAY

SCALE
 N/A

STOCK NO.
 N/A

SIZE
 N/A

DRAWING NO.
 MSC-5947-A

REV
 00

DO NOT SCALE DRAWING SHEET 2 OF 2