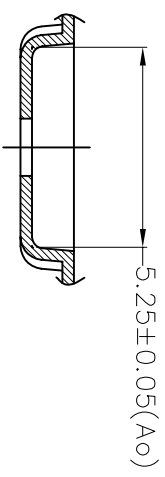
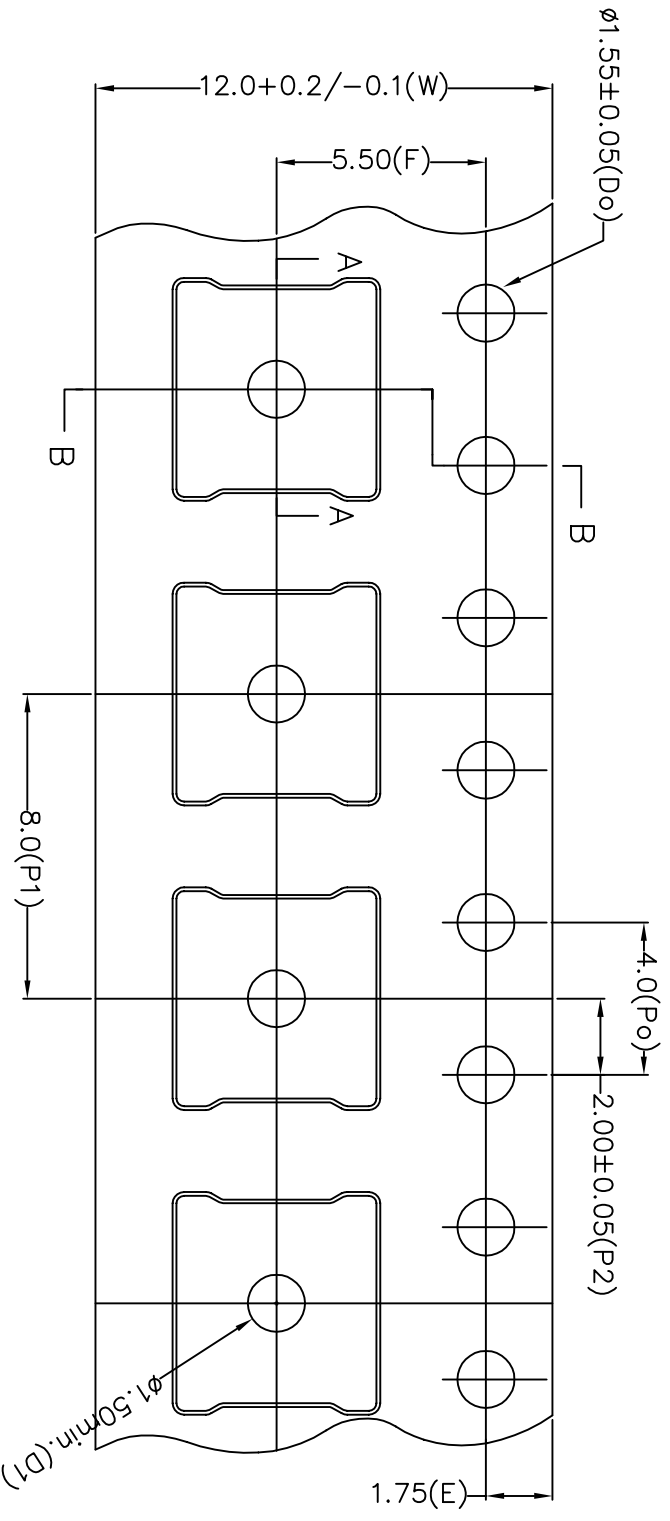


Section B-B



Section A-A

TOLERANCES UNLESS OTHERWISE SPECIFIED
 DECIMAL : X ±
 .XX ±
 .XXX ±
 ANGLE : ±
 ANGULAR : ±



6024 Silver Creek Valley Road,
 San Jose, CA 95138
 PHONE: (408) 284-8200
 FAX: (408) 284-3572

TITLE: FNG 36, LEG 32, NRG 20/28/32, NDG 40/44, NLG 32, NCG 40 & NTG 40 CARRIER TAPE

SCALE: N/A

STOCK NO. N/A

DRAWING NO. MSC-7597-A

REV. 03

DO NOT SCALE DRAWING SHEET 1 OF 1