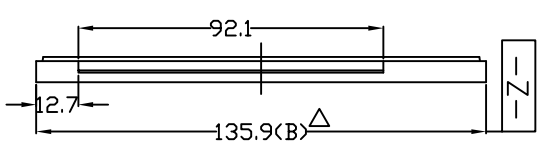
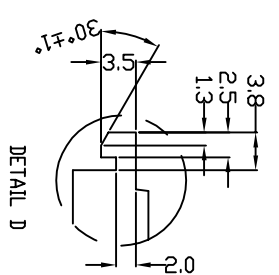
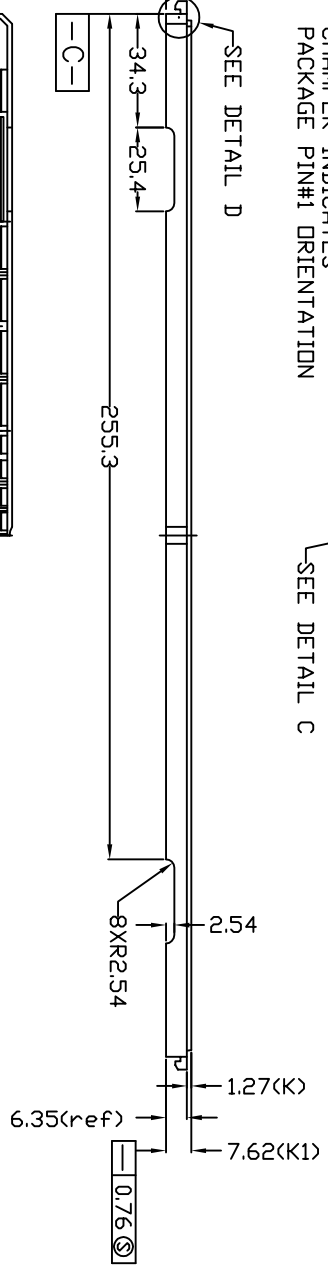


NOTE: SCALLUP IS CENTERED ON SIDE OF TRAY

DETAIL C

R4.75

0.76



NOTES : (UNLESS OTHERWISE SPECIFIED)

1. NUMBER OF POCKET : 4 X 9 = 36 POCKETS

TOLERANCES UNLESS OTHERWISE SPECIFIED

DECIMAL : X ±.25

XX ±.13

.XXX ±.13

ANGLE : ±5°

ANGULAR : ±



6024 Silver Creek Valley Road,  
 San Jose, CA 95138  
 PHONE: (408) 284-8200  
 FAX: (408) 284-3572

TITLE: HM/HMG/HMH784 & RM784 SHIPPING TRAY

STOCK NO. N/A

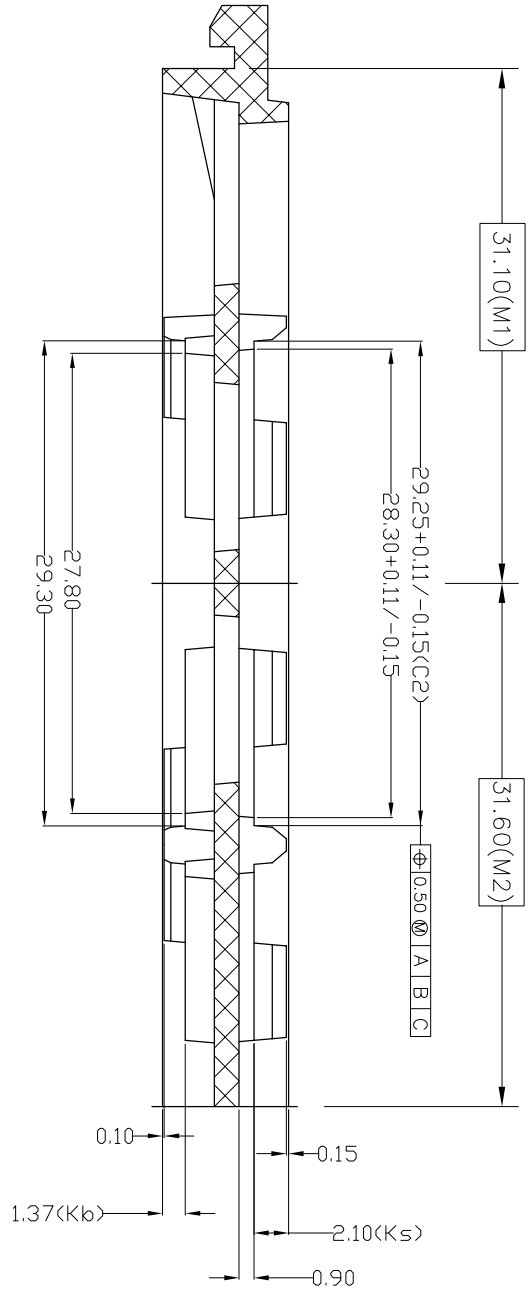
DRAWING NO. MSC-5709-A

SCALE N/A

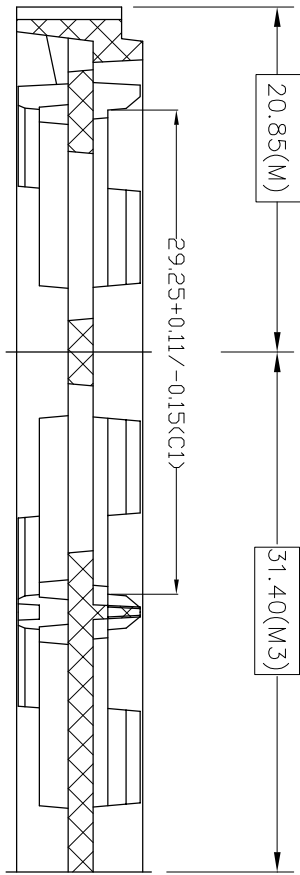
REV N/A

DO NOT SCALE DRAWING

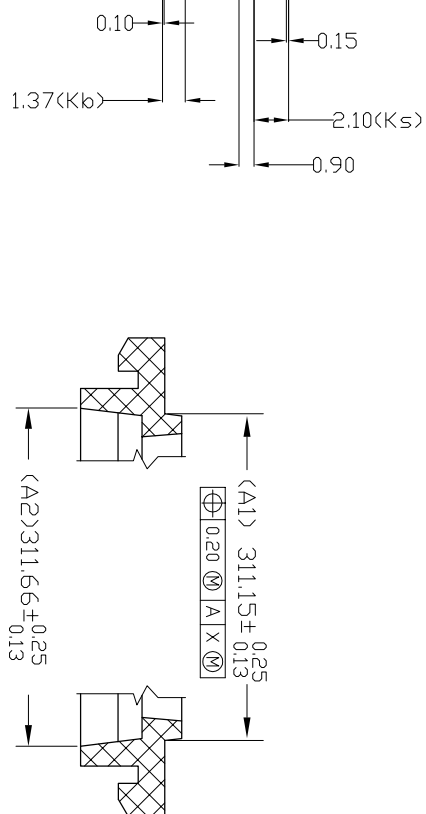
SHEET 1 OF 2



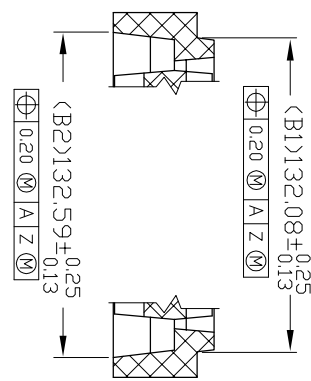
SECTION A-A



SECTION B-B



SECTION H-H



SECTION J-J

TOLERANCES UNLESS OTHERWISE SPECIFIED  
 DECIMAL : X ±.25  
 .XX ±.13  
 .XXX ±.13  
 ANGLE : 45°  
 ANGULAR : ±

**IDT**  
 www.IDT.com  
 6024 Silver Creek Valley Road,  
 San Jose, CA 95138  
 PHONE: (408) 284-8200  
 FAX: (408) 284-3572

TITLE: HM/HMG/HMH784 & RM784 SHIPPING TRAY  
 STOCK NO. N/A  
 DRAWING NO. MSC-5709-A  
 REV N/A

SCALE N/A  
 SIZE N/A  
 DO NOT SCALE DRAWING SHEET 2 OF 2