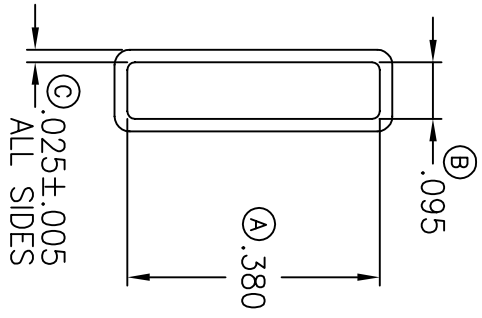
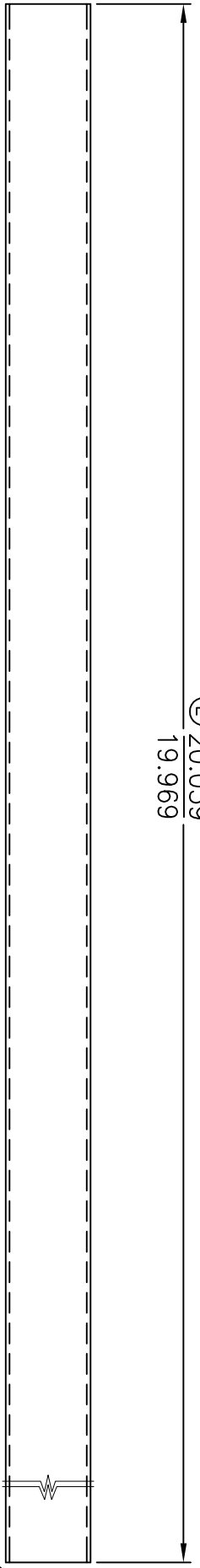


Ⓛ 20.039
19.969



TOLERANCES UNLESS OTHERWISE SPECIFIED
 DECIMAL .25
 .XX ± .13
 .XXX ± .13
 ANGLE ±.5°
 APPROVALS DATE

IDT
 6024 Silver Creek Valley Road,
 San Jose, CA 95138
 PHONE: (408) 284-8200
 FAX: (408) 284-3572
 www.IDT.com

SCALE	N/A
TITLE:	LC 20 & LZ 28 SHIPPING TUBE
STOCK NO.	N/A
DRAWING NO.	MSC-7544-A
REV	00
DO NOT SCALE DRAWING	SHEET 1 OF 1