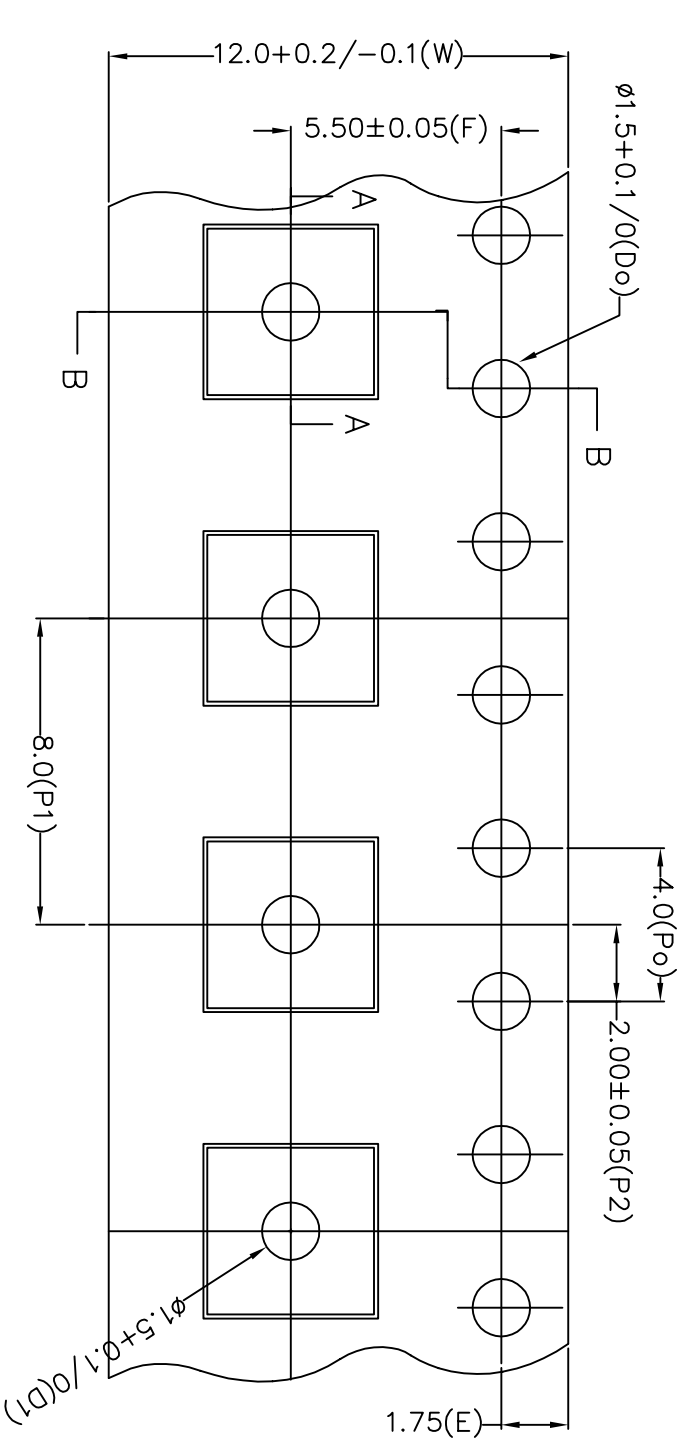
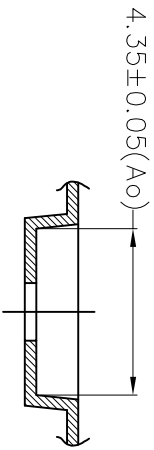


Section B-B



Section A-A



- NOTES : (UNLESS OTHERWISE SPECIFIED)
- SUPPLIER : E-PAK
 - SUPPLIER PART NUMBER : eca1788-PS-BLK-520
 - Po/P1 TO PITCHES CUMULATIVE TOLERANCE ON TAPE : ±0.20 mm
 - REFER TO MSA-3018 FOR THE ALLOWABLE CAMBER REQUIREMENT.
 - MATERIAL : BLACK CONDUCTIVE POLYSTYRENE.
 - ao AND bo MEASURED ON A PLANE 0.3 MM ABOVE THE BOTTOM OF THE POCKET.
 - Ko MEASURED FROM A PLANE ON THE INSIDE BOTTOM OF THE POCKET TO THE TOP SURFACE OF THE CARRIER.
 - POCKET CENTER AND POCKET HOLE CENTER MUST BE SAME POSITION.
 - REFER TO MAA-3092 & MSA-3018 FOR THE IDT STANDARD REQUIREMENT FOR CARRIER TAPE.
 - ALL THE DIMENSIONS ARE IN MILLIMETERS (MM).
 - LENGTH PER ROLL = 520 METERS.
 - ALLOWABLE CAMBER TO BE 1/250 MM MAXIMUM.

TOLERANCES UNLESS OTHERWISE SPECIFIED
 DECIMAL :
 .X ±.1
 .XX ±.10
 .XXX ±
 ANGULAR : ±
 ANGULAR : ±



8024 Silver Creek Valley Road,
 San Jose, CA 95138
 PHONE: (408) 284-8200
 FAX: (408) 284-3572

WWW.IDT.COM

TITLE: LDC24, NBG 16/24, NCG 20, NCG 28, NIG

STOCK NO. P8-347-N20

DRAWING NO. MSC-7562

SCALE N/A

REV 03

DO NOT SCALE DRAWING SHEET 1 OF 1