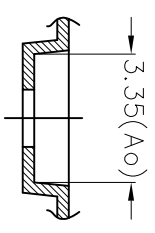
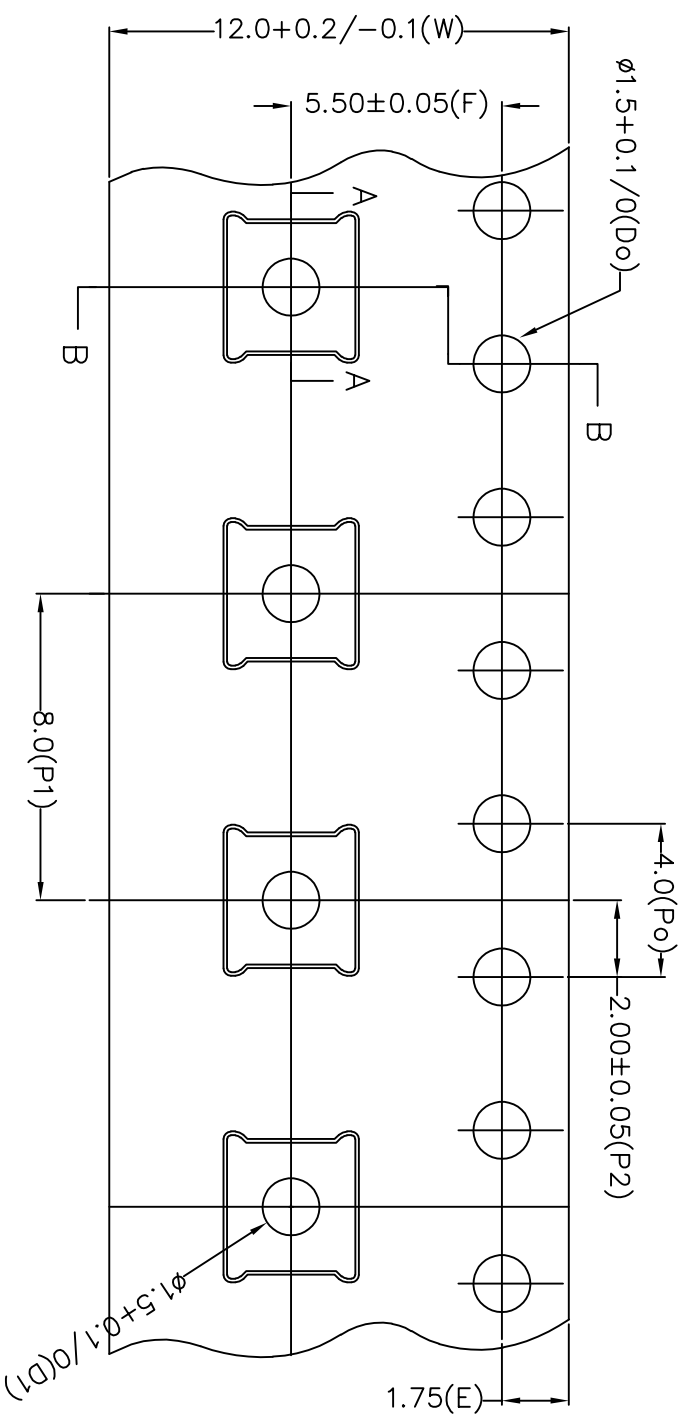


Section B-B



Section A-A

TOLERANCES UNLESS OTHERWISE SPECIFIED	
DECIMAL :	.X ±
	.XX ±
	.XXX ±
ANGLE :	±
ANGULAR :	±
	
www.IDT.com	
6024 Silver Creek Valley Road, San Jose, CA 95138 PHONE: (408) 284-8200 FAX: (408) 284-3572	
TITLE:	LG6 12, NBG 12, NTG 16/20
STOCK NO.	P8-485-000
CARRIER TAPE	MSC-7730-A
DRAWING NO.	01
SCALE	N/A

DO NOT SCALE DRAWING	SHEET 1 OF 1
----------------------	--------------