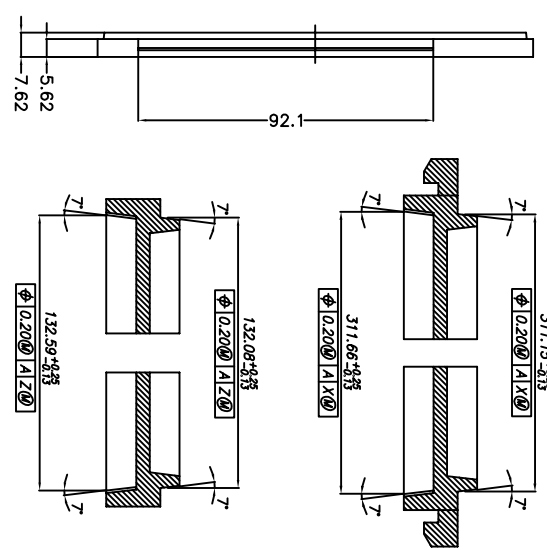


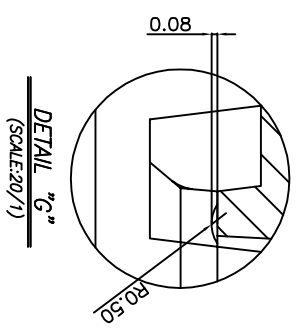
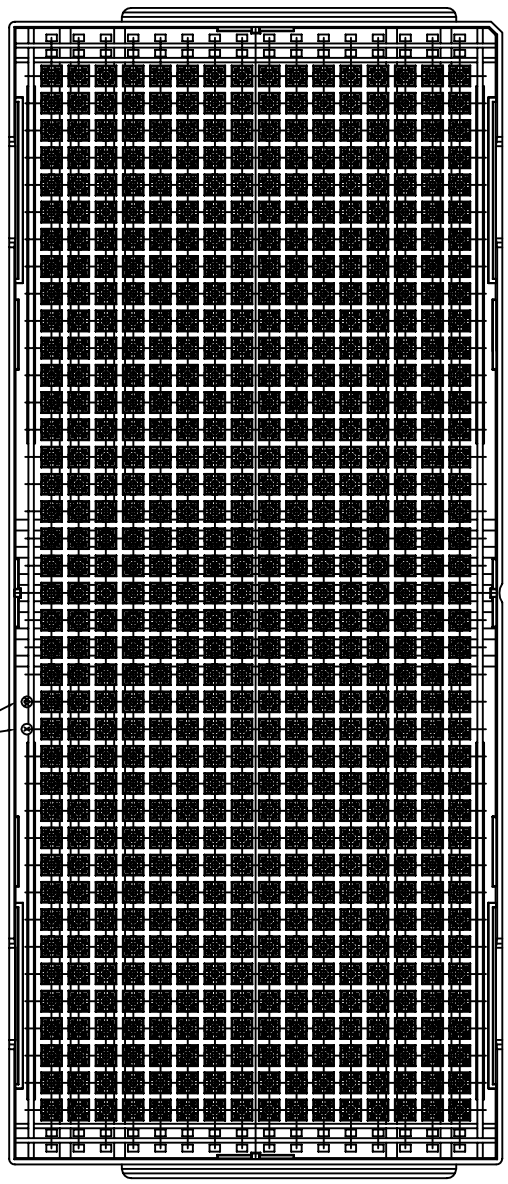
DETAIL "K"
(SCALE:4/1)



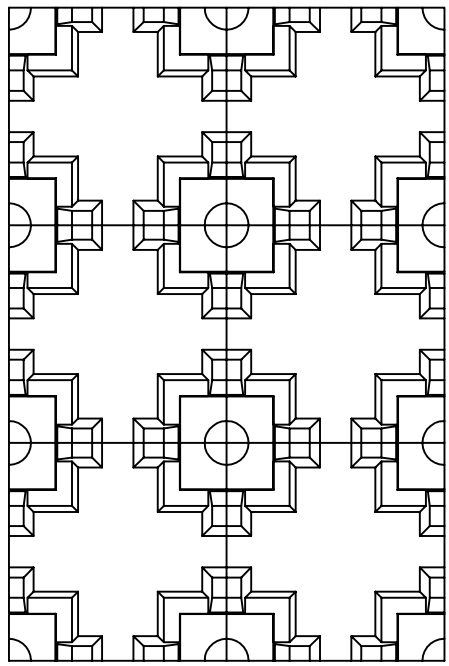
TRAY STACKING DETAIL
(SCALE:3/1)

TOLERANCES UNLESS OTHERWISE SPECIFIED		DRAWN	
DECIMAL	±.25	DATE	
.XX ±.13		APPROVALS	
.XXX ±.13		ANGLE	±.5°
WWW.IDT.COM		SCALE	
TITLE:		N/A	
NB/NBG 10/12, ND/NDG 20, NL/NLG		SIZE	
16 & NT/NTG 16/20 SHIPPING TRAY		N/A	
STOCK NO.	N/A	DRAWING NO.	REV
		MSC-5859-A	01
6024 Silver Creek Valley Road, San Jose, CA 95138 PHONE: (408) 284-8200 FAX: (408) 284-3572		DO NOT SCALE DRAWING	
SHEET 1 OF 3			

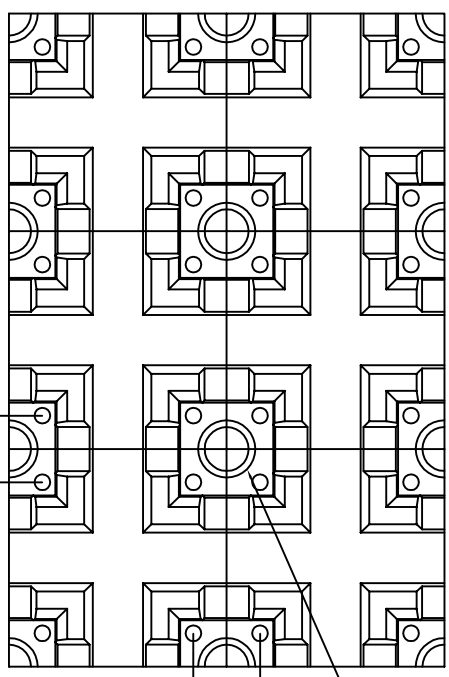
BOTTOM VIEW



DETAIL "G"
(SCALE:20/1)



TOP VIEW
(SCALE:8/1)



BOTTOM VIEW
(SCALE:8/1)

TOLERANCES UNLESS OTHERWISE SPECIFIED
 DECIMAL .25
 .XX ± .13
 .XXX ± .13
 ANGLE ± .5°



6024 Silver Creek Valley Road
 San Jose, CA 95138
 PHONE: (408) 284-6200
 FAX: (408) 284-3572

APPROVALS	DATE	SCALE
		N/A
		N/A
		N/A
		N/A

TITLE:	NB/NBG 10/12, ND/NDG 20, NL/NLG 16 & NT/NTG 16/20 SHIPPING TRAY	STOCK NO.	N/A	DRAWING NO.	MSC-5859-A	REV	01
--------	---	-----------	-----	-------------	------------	-----	----

WWW.IDT.COM	DO NOT SCALE DRAWING	SHEET 3 OF 3
-------------	----------------------	--------------