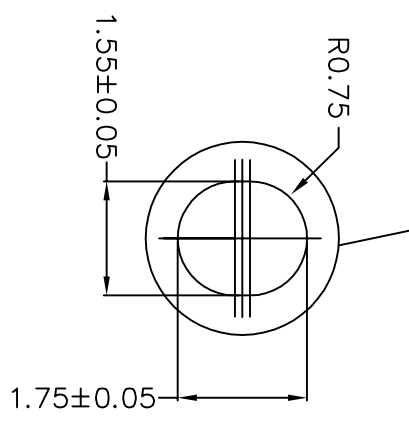


SECTION B-B

SECTION A-A



TOLERANCES UNLESS OTHERWISE SPECIFIED
 DECIMAL: .1
 .XX ± .10
 ANGLE

APPROVALS DATE

WWW.IDT.COM

6024 Silver Creek Valley Road,
 San Jose, CA 95138
 PHONE: (408) 284-8200
 FAX: (408) 284-3572



TITLE:		P/J/PJG 32 CARRIER TAPE	
STOCK NO.	N/A	DRAWING NO.	MSC-7731-A
REV	01	SCALE	N/A
DO NOT SCALE DRAWING		SHEET 1 OF 1	