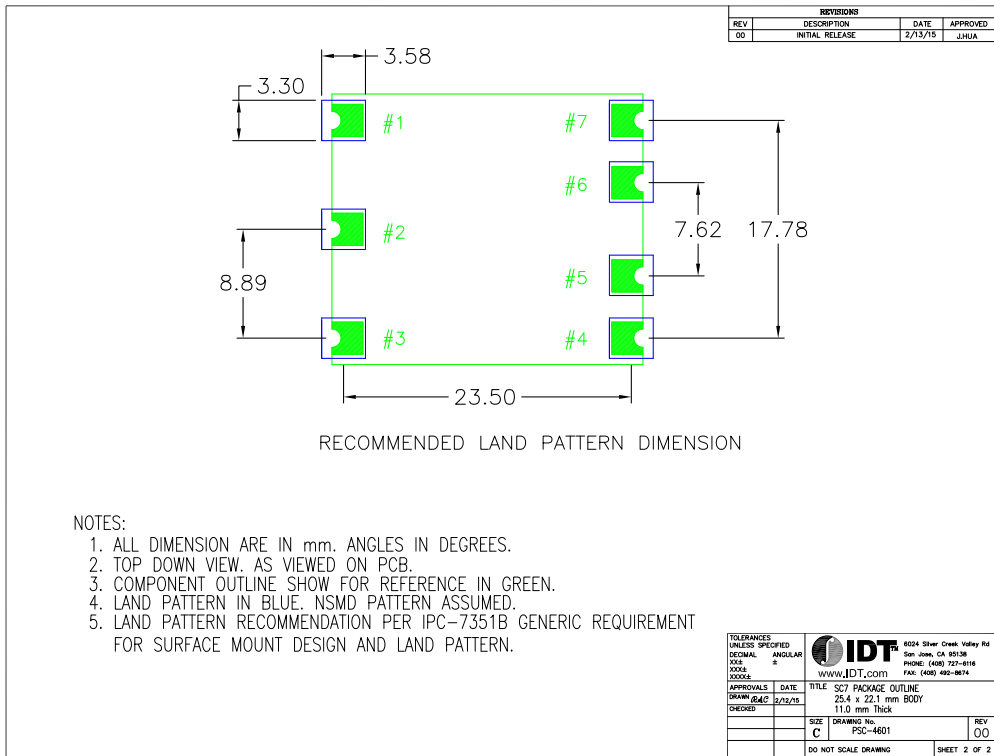
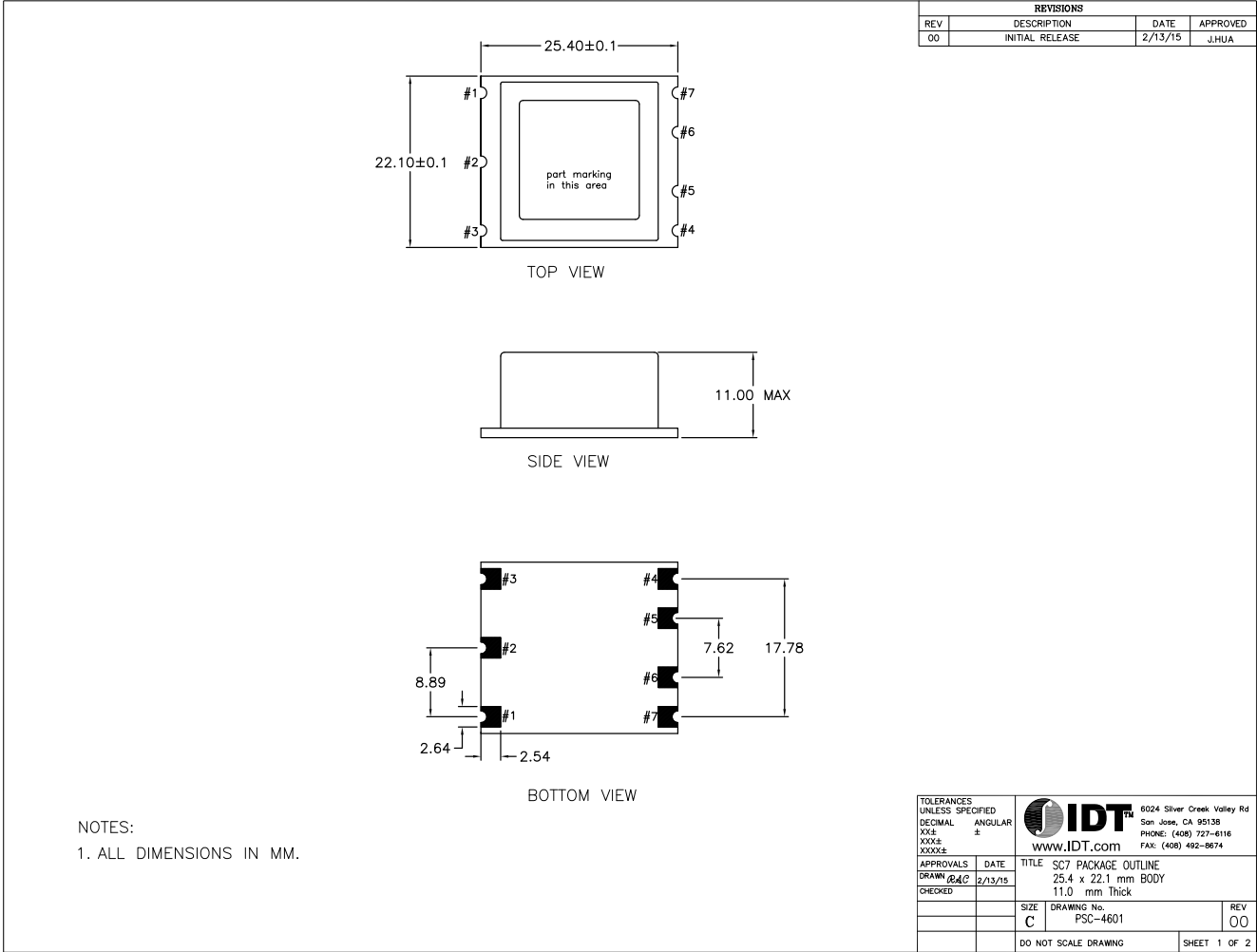




## Specifications

Parameters	Ratings/Units
<b>Frequency (Fo)</b>	12.800000 MHz
<b>Frequency Stability vs.:</b> Operating Temperature (TOPR) Change of VDD ( $\pm 5\%$ )	$\pm 10$ ppb (0.010ppm) $\pm 0.5$ ppb (0.0005ppm)
<b>Temperature Range:</b> Operating (TOPR) Storage (TSTG)	-40°C ~ +85°C -40°C ~ +85°C
<b>Supply Voltage (VDD)</b>	3.3VDC $\pm 5\%$
<b>Output Load (HCMOS)</b>	15 pF $\pm 1$ pF
<b>Output Voltage</b> (VOL) (VOH) Spurious Rise Time (TR) (10% ~ 90% VDD) Rise Time (TF) (90% ~ 10% VDD) Symmetry	0.1V Typ, 0.4V Max 3.3V Typ, 2.8V Min -60dBc Max 5 nS Max 5 nS Max 45% / 55%
<b>Frequency Control</b> Slope Pin #2 Reference (VREF into 9k Min) Frequency Change ( $\Delta F$ ) Non-Linearity (0.8V to VDD) Voltage Control (Vc) Input Impedance (ZIN)	Positive 2.8 $\pm 0.1$ VDC $\pm 0.5$ ppm Min. $\pm 10$ % 0V to 2.8V 100K Ohm Min.
<b>Warm-Up:</b> Time (to $\pm 10$ ppb) (Referenced to Fo @ 60min after turn-on) Warm-Up Current Operating Power	5 Minutes  1000mA Max 1.2 W Max at 25°C
<b>Aging:</b> Short-term Aging (1 <sup>st</sup> 45 days) 1 <sup>st</sup> year Aging (after 45 days) Long Term (10-years ALL effects) Allen Variance (1 sec samples)	$\pm 0.5$ ppb / day Max $\pm 50$ ppb $\pm 0.4$ PPM Max $< 50 \times 10^{-12}$ / Sec
<b>Phase Noise:</b> @ 1 Hz Offset: @ 10 Hz Offset: @ 100 Hz Offset: @ 1 kHz Offset: @ 10 kHz Offset:	-95 dBc/Hz Typ -120 dBc/Hz Typ -135 dBc/Hz Typ -145 dBc/Hz Typ -155 dBc/Hz Typ
<b>Moisture Sensitivity Level (MSL)</b>	1
<b>Termination Finish</b>	Immersion Gold
<b>Weight (Typ)</b>	5.7 g

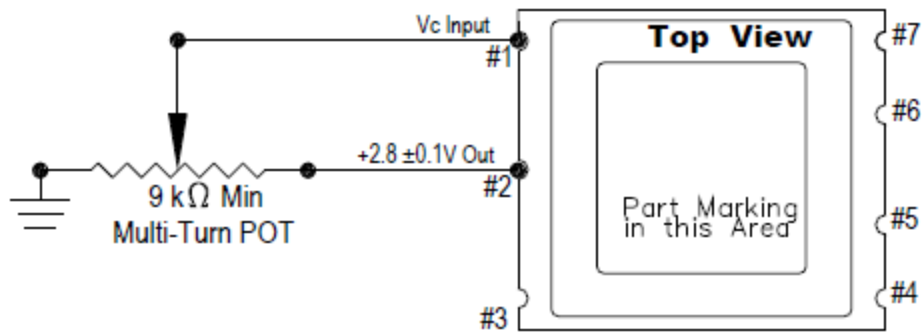
# Package Outline and Dimensions (SC7)



## Pin Connections

Pin Number	Description
1	VC
2	VREF
3	VDD
4	RF Output
5	No connect
6	No connect
7	GND/Case
Metal Cover	Nickel-Silver

## Recommended Vc Adjustment Circuit



## Ordering Information

Part / Order Number	Shipping Packaging	Package	Temperature
845-12.8-1SC7I	Cut-Tape	25.4 x 22.1 x 11.0 mm SC7	-40 to +85 °C
845-12.8-1SC7I8	Tape and Reel	25.4 x 22.1 x 11.0 mm SC7	-40 to +85 °C



**Corporate Headquarters**  
6024 Silver Creek Valley Road  
San Jose, CA 95138 USA

**Sales**  
1-800-345-7015 or 408-284-8200  
Fax: 408-284-2775  
www.IDT.com

**Tech Support**  
email: [clocks@idt.com](mailto:clocks@idt.com)

DISCLAIMER Integrated Device Technology, Inc. (IDT) and its subsidiaries reserve the right to modify the products and/or specifications described herein at any time and at IDT's sole discretion. All information in this document, including descriptions of product features and performance, is subject to change without notice. Performance specifications and the operating parameters of the described products are determined in the independent state and are not guaranteed to perform the same way when installed in customer products. The information contained herein is provided without representation or warranty of any kind, whether express or implied, including, but not limited to, the suitability of IDT's products for any particular purpose, an implied warranty of merchantability, or non-infringement of the intellectual property rights of others. This document is presented only as a guide and does not convey any license under intellectual property rights of IDT or any third parties.

IDT's products are not intended for use in applications involving extreme environmental conditions or in life support systems or similar devices where the failure or malfunction of an IDT product can be reasonably expected to significantly affect the health or safety of users. Anyone using an IDT product in such a manner does so at their own risk, absent an express, written agreement by IDT.

Integrated Device Technology, IDT and the IDT logo are registered trademarks of IDT. Product specification subject to change without notice. Other trademarks and service marks used herein, including protected names, logos and designs, are the property of IDT or their respective third party owners.

Copyright ©2015 Integrated Device Technology, Inc.. All rights reserved.