

BROADCOM SWITCH/PHY REFERENCE DESIGNS

- BCM 56640
- BCM 56440 / 56441 / 56442 / 56443
- BCM 56445 / 56448
- BCM 88650
- BCM 88030
- BCM 56842 / 56844 / 56846
- BCM 56850

IDT SYNCHRONOUS ETHERNET SOLUTIONS

The IDT **8V89307 + 8V89308** clocking solution uniquely complements Broadcom Switch/PHY SyncE designs. The IDT 8V89307 + 8V89308 clocking solution fully supports the requirements laid out in ITU-T G.8262 for synchronous Ethernet Equipment Clocks and it meets the stringent phase noise requirements of 10GE/40GE SyncE applications.

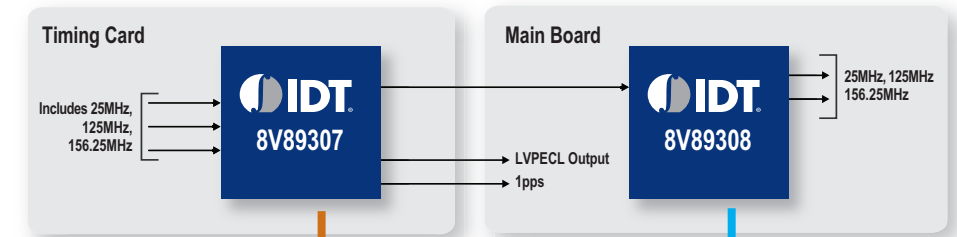
IDT provides the performance, design expertise, reliability and delivery necessary to achieve design success.

IDT SOLUTION FOR BCM 56640

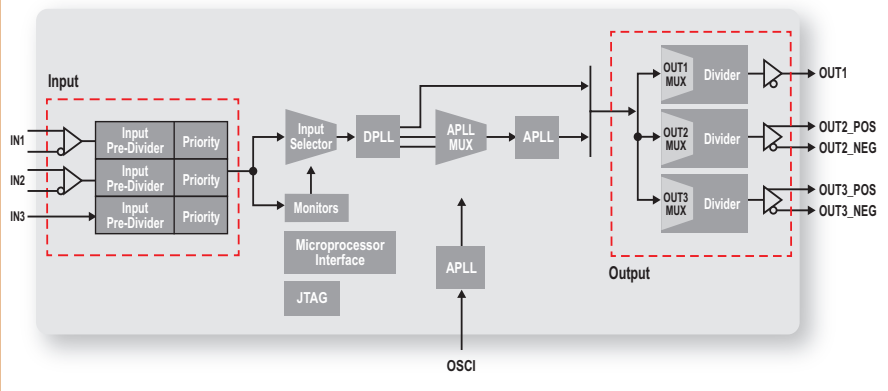
8V89307 + 8V89308

- Input frequencies: 10MHz – 156.25MHz
- Output frequencies: 1pps, 25MHz, 125MHz, 156.25MHz
- RMS jitter: <0.3ps
- Aligns outputs to reference input phase with offset control
- Automatic hitless switching with less than 0.61ns transient
- Automatic switching between free-run, locked, holdover
- I²C or SPI interface control
- IEEE 1149.1 JTAG Boundary Scan

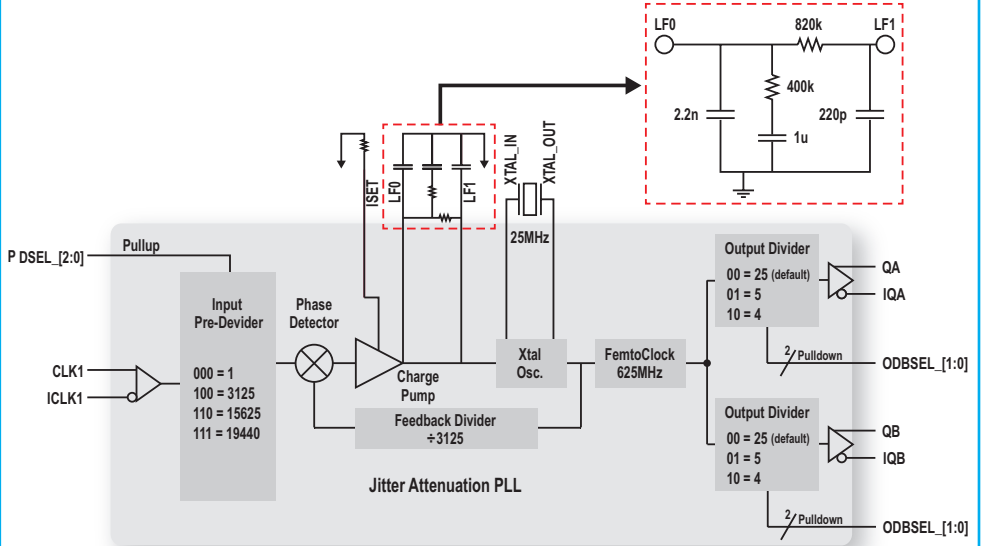
IDT SOLUTION FOR BCM 56640



8V89307 BLOCK DIAGRAM



8V89308 BLOCK DIAGRAM



BROADCOM SWITCH/PHY REFERENCE DESIGNS

- BCM 56640
- BCM 56440 / 56441 / 56442 / 56443
- BCM 56445 / 56448
- BCM 88650
- BCM 88030
- BCM 56842 / 56844 / 56846
- BCM 56850

IDT SYNCHRONOUS ETHERNET SOLUTIONS

The IDT 8V89307 is a flexible clocking solution that fully supports the requirements laid out in ITU-T G.8262 for synchronous Ethernet Equipment Clocks and it meets the tight phase noise requirements of Broadcom Switch/PHY 1GE applications. No other external components are needed to achieve 1GE requirements.

IDT has a wide portfolio of fanout buffers to complement different design requirements to fanout multiple copies of the clock.

IDT has long been a leader in wireline market space. IDT has a complete portfolio of T1/E1/J1 products such as Line Interface Units (LIU), transceivers and framers. To support TDM in this reference design, designers can choose from T1/E1 LIU in different number of port counts that can support long- and short-haul, and also short-haul only applications.

IDT SOLUTION FOR BCM 56440 / 56441 / 56442 / 56443

8V89307

- Input frequencies: 10MHz – 156.25MHz
- Output frequencies: 1pps, 25MHz, 125MHz, 156.25MHz
- 8V89307 will meet Broadcom requirements without jitter attenuator for 1GE applications

BUFFERS

8S89831I

- 1:4 Differential-to-LVPECL Fanout Buffer

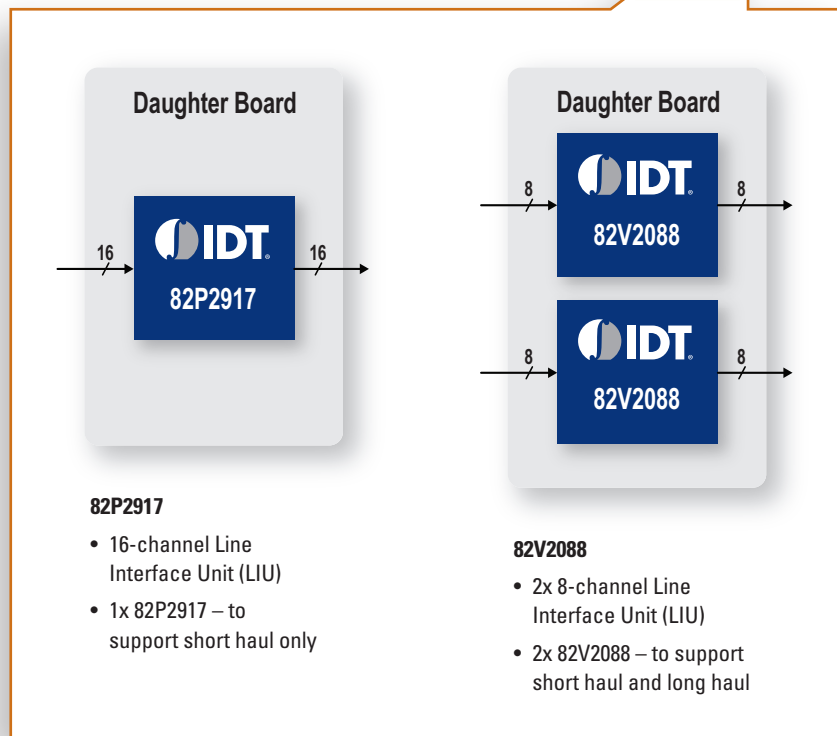
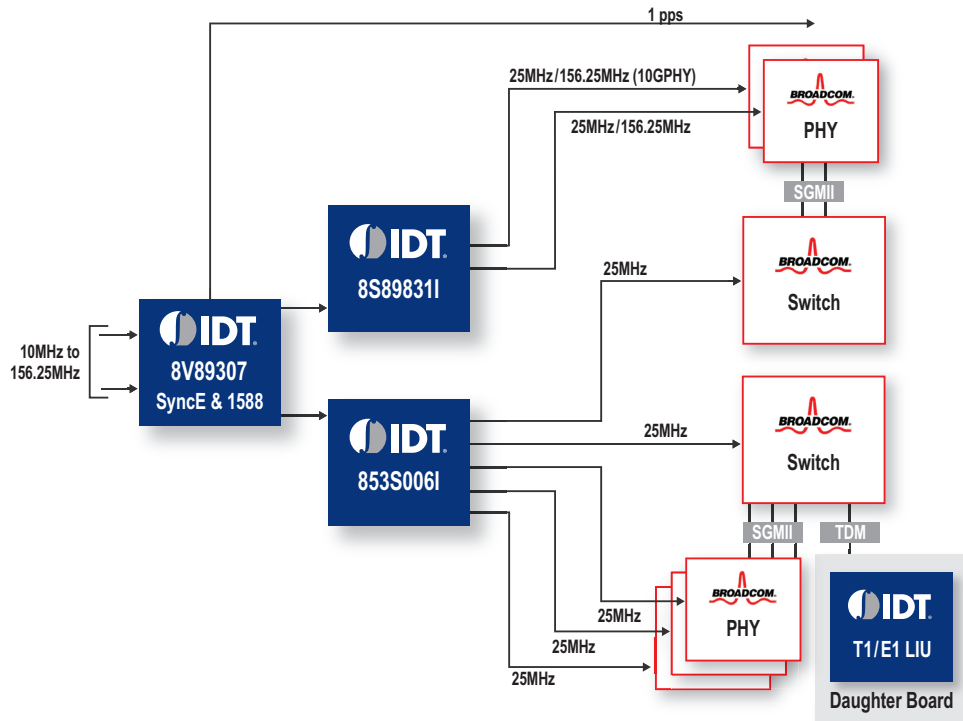
853S006I

- 1:6 Differential to LVPECL Fanout buffer

Based on individual design requirements

For a complete selection of IDT Buffers, visit idt.com/go/clocks

IDT SOLUTION FOR BCM 56440 / 56441 / 56442 / 56443



DISCLAIMER Integrated Device Technology, Inc. (IDT) and its subsidiaries reserve the right to modify the products and/or specifications described herein at any time and at IDT's sole discretion. All information in this document, including descriptions of product features and performance, is subject to change without notice. Performance specifications and the operating parameters of the described products are determined in the independent state and are not guaranteed to perform the same way when installed in customer products. The information contained herein is provided without representation or warranty of any kind, whether express or implied, including, but not limited to, the suitability of IDT's products for any particular purpose, an implied warranty of merchantability, or non-infringement of the intellectual property rights of others. This document is presented only as a guide and does not convey any license under intellectual property rights of IDT or any third parties. IDT's products are not intended for use in life support systems or similar devices where the failure or malfunction of an IDT product can be reasonably expected to significantly affect the health or safety of users. Anyone using an IDT product in such a manner does so at their own risk, absent an express, written agreement by IDT.

Integrated Device Technology, IDT and the IDT logo are registered trademarks of IDT. Other trademarks and service marks used herein, including protected names, logos and designs, are the property of IDT or their respective third party owners. © Copyright 2012. All rights reserved.

GD_SynchCLOCKS-BROADCOM_REVA0412