



IDT™ 89HPES24T3G2 PCI Express® Switch

User Manual

February 2012

6024 Silver Creek Valley Road, San Jose, California 95138
Telephone: (800) 345-7015 • (408) 284-8200 • FAX: (408) 284-2775
Printed in U.S.A.
©2012 Integrated Device Technology, Inc.

GENERAL DISCLAIMER

Integrated Device Technology, Inc. reserves the right to make changes to its products or specifications at any time, without notice, in order to improve design or performance and to supply the best possible product. IDT does not assume any responsibility for use of any circuitry described other than the circuitry embodied in an IDT product. The Company makes no representations that circuitry described herein is free from patent infringement or other rights of third parties which may result from its use. No license is granted by implication or otherwise under any patent, patent rights or other rights, of Integrated Device Technology, Inc.

CODE DISCLAIMER

Code examples provided by IDT are for illustrative purposes only and should not be relied upon for developing applications. Any use of the code examples below is completely at your own risk. IDT MAKES NO REPRESENTATIONS OR WARRANTIES OF ANY KIND CONCERNING THE NONINFRINGEMENT, QUALITY, SAFETY OR SUITABILITY OF THE CODE, EITHER EXPRESS OR IMPLIED, INCLUDING WITHOUT LIMITATION ANY IMPLIED WARRANTIES OF MERCHANTABILITY, FITNESS FOR A PARTICULAR PURPOSE, OR NON-INFRINGEMENT. FURTHER, IDT MAKES NO REPRESENTATIONS OR WARRANTIES AS TO THE TRUTH, ACCURACY OR COMPLETENESS OF ANY STATEMENTS, INFORMATION OR MATERIALS CONCERNING CODE EXAMPLES CONTAINED IN ANY IDT PUBLICATION OR PUBLIC DISCLOSURE OR THAT IS CONTAINED ON ANY IDT INTERNET SITE. IN NO EVENT WILL IDT BE LIABLE FOR ANY DIRECT, CONSEQUENTIAL, INCIDENTAL, INDIRECT, PUNITIVE OR SPECIAL DAMAGES, HOWEVER THEY MAY ARISE, AND EVEN IF IDT HAS BEEN PREVIOUSLY ADVISED ABOUT THE POSSIBILITY OF SUCH DAMAGES. The code examples also may be subject to United States export control laws and may be subject to the export or import laws of other countries and it is your responsibility to comply with any applicable laws or regulations.

LIFE SUPPORT POLICY

Integrated Device Technology's products are not authorized for use as critical components in life support devices or systems unless a specific written agreement pertaining to such intended use is executed between the manufacturer and an officer of IDT.

1. Life support devices or systems are devices or systems which (a) are intended for surgical implant into the body or (b) support or sustain life and whose failure to perform, when properly used in accordance with instructions for use provided in the labeling, can be reasonably expected to result in a significant injury to the user.
2. A critical component is any components of a life support device or system whose failure to perform can be reasonably expected to cause the failure of the life support device or system, or to affect its safety or effectiveness.

IDT, the IDT logo, and Integrated Device Technology are trademarks or registered trademarks of Integrated Device Technology, Inc.



Notes

Introduction

This user manual includes hardware and software information on the 89HPES24T3G2, a member of IDT's PRECISE™ family of PCI Express® switching solutions offering the next-generation I/O interconnect standard.

Finding Additional Information

Information not included in this manual such as mechanicals, package pin-outs, and electrical characteristics can be found in the data sheet for this device, which is available from the IDT website (www.idt.com) as well as through your local IDT sales representative.

Content Summary

Chapter 1, "PES24T3G2 Device Overview," provides a complete introduction to the performance capabilities of the 89HPES24T3G2. Included in this chapter is a summary of features for the device as well as a system block diagram and pin description.

Chapter 2, "Clocking, Reset, and Initialization," provides a description of the two differential reference clock inputs that are used internally to generate all of the clocks required by the internal switch logic and the SerDes.

Chapter 3, "Link Operation," describes the operation of the link feature including polarity inversion, link width negotiation, and lane reversal.

Chapter 4, "General Purpose I/O," describes how the 8 General Purpose I/O (GPIO) pins may be individually configured as general purpose inputs, general purpose outputs, or alternate functions.

Chapter 5, "SMBus Interfaces," describes the operation of the 2 SMBus interfaces on the PES24T3G2.

Chapter 6, "Power Management," describes the power management capability structure located in the configuration space of each PCI-PCI bridge in the PES24T3G2.

Chapter 7, "Hot-Plug and Hot-Swap," describes the behavior of the hot-plug and hot-swap features in the PES24T3G2.

Chapter 8, "Configuration Registers," discusses the base addresses, PCI configuration space, and registers associated with the PES24T3G2.

Chapter 9, "JTAG Boundary Scan," discusses an enhanced JTAG interface, including a system logic TAP controller, signal definitions, a test data register, an instruction register, and usage considerations.

Signal Nomenclature

To avoid confusion when dealing with a mixture of "active-low" and "active-high" signals, the terms assertion and negation are used. The term assert or assertion is used to indicate that a signal is active or true, independent of whether that level is represented by a high or low voltage. The term negate or negation is used to indicate that a signal is inactive or false.

To define the active polarity of a signal, a suffix will be used. Signals ending with an 'N' should be interpreted as being active, or asserted, when at a logic zero (low) level. All other signals (including clocks, buses and select lines) will be interpreted as being active, or asserted when at a logic one (high) level.

To define buses, the most significant bit (MSB) will be on the left and least significant bit (LSB) will be on the right. No leading zeros will be included.

Notes

Throughout this manual, when describing signal transitions, the following terminology is used. Rising edge indicates a low-to-high (0 to 1) transition. Falling edge indicates a high-to-low (1 to 0) transition. These terms are illustrated in Figure 1.

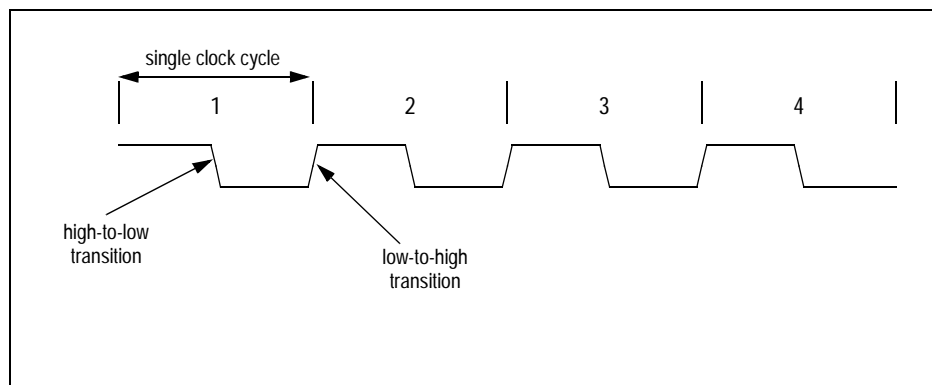


Figure 1 Signal Transitions

Numeric Representations

To represent numerical values, either decimal, binary, or hexadecimal formats will be used. The binary format is as follows: 0bDDD, where "D" represents either 0 or 1; the hexadecimal format is as follows: 0xDD, where "D" represents the hexadecimal digit(s); otherwise, it is decimal.

The compressed notation ABC[x|y|z]D refers to ABCxD, ABCyD, and ABCzD.

The compressed notation ABC[x..y]D refers to ABCxD, ABC(x+1)D, ABC(x+2)D,... ABCyD.

Data Units

The following data unit terminology is used in this document.

Term	Words	Bytes	Bits
Byte	1/2	1	8
Word	1	2	16
Doubleword (Dword)	2	4	32
Quadword (Qword)	4	8	64

Table 1 Data Unit Terminology

In quadwords, bit 63 is always the most significant bit and bit 0 is the least significant bit. In doublewords, bit 31 is always the most significant bit and bit 0 is the least significant bit. In words, bit 15 is always the most significant bit and bit 0 is the least significant bit. In bytes, bit 7 is always the most significant bit and bit 0 is the least significant bit.

The ordering of bytes within words is referred to as either "big endian" or "little endian." Big endian systems label byte zero as the most significant (leftmost) byte of a word. Little endian systems label byte zero as the least significant (rightmost) byte of a word. See Figure 2.

Notes

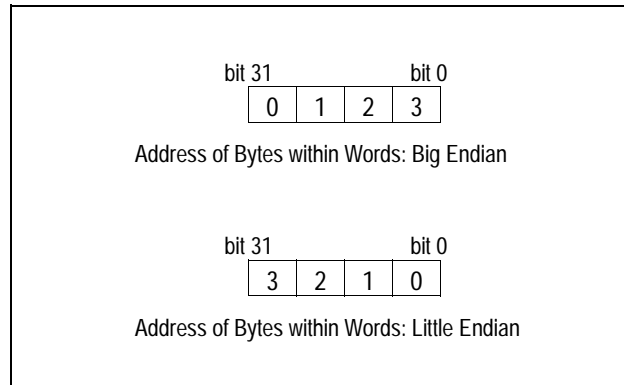


Figure 2 Example of Byte Ordering for “Big Endian” or “Little Endian” System Definition

Register Terminology

Software in the context of this register terminology refers to modifications made by PCIe root configuration writes, writes to registers made through the slave SMBus interface, or serial EEPROM register initialization. See Table 2.

Type	Abbreviation	Description
Hardware Initialized	HWINIT	Register bits are initialized by firmware or hardware mechanisms such as pin strapping or serial EEPROM. (System firmware hardware initialization is only allowed for system integrated devices.) Bits are read-only after initialization and can only be reset (for write-once by firmware) with reset.
Read Only and Clear	RC	Software can read the register/bits with this attribute. Reading the value will automatically cause the register/bit to be reset to zero. Writing to a RC location has no effect.
Read Clear and Write	RCW	Software can read the register/bits with this attribute. Reading the value will automatically cause the register/bits to be reset to zero. Writes cause the register/bits to be modified.
Reserved	Reserved	The value read from a reserved register/bit is undefined. Thus, software must deal correctly with fields that are reserved. On reads, software must use appropriate masks to extract the defined bits and not rely on reserved bits being any particular value. On writes, software must ensure that the values of reserved bit positions are preserved. That is, the values of reserved bit positions must first be read, merged with the new values for other bit positions and then written back.
Read Only	RO	Software can only read registers/bits with this attribute. Contents are hardwired to a constant value or are status bits that may be set and cleared by hardware. Writing to a RO location has no effect.
Read and Write	RW	Software can both read and write bits with this attribute.

Table 2 Register Terminology (Sheet 1 of 2)

Notes

Type	Abbreviation	Description
Read and Write Clear	RW1C	Software can read and write to registers/bits with this attribute. However, writing a value of zero to a bit with this attribute has no effect. A RW1C bit can only be set to a value of 1 by a hardware event. To clear a RW1C bit (i.e., change its value to zero) a value of one must be written to the location. An RW1C bit is never cleared by hardware.
Read and Write when Unlocked	RWL	Software can read the register/bits with this attribute. Writing to register/bits with this attribute will only cause the value to be modified if the REGUNLOCK bit in the SWCTL register is set. When the REGUNLOCK bit is cleared, writes are ignored and the register/bits are effectively read-only. RWL bits are implicitly "Sticky."
Write Transient	WT	The zero is always read from a bit/field of this type. Writing of a one is used to qualify the writing of other bits/fields in the same register.
Zero	Zero	A zero register or bit must be written with a value of zero and returns a value of zero when read.

Table 2 Register Terminology (Sheet 2 of 2)

Use of Hypertext

In Chapter 8, Tables 8.2 and 8.3 contain register names and page numbers highlighted in blue under the Register Definition column. In pdf files, users can jump from this source table directly to the registers by clicking on the register name in the source table. Each register name in the table is linked directly to the appropriate register in the register section of the chapter. To return to the source table after having jumped to the register section, click on the same register name (in blue) in the register section.

Reference Documents

PCI Express Base Specification, Revision 2.0, PCI Special Interest Group.

PCI Power Management Interface Specification, Revision 1.2, PCI Special Interest Group.

PCI to PCI Bridge Architecture Specification, Revision 1.2, PCI Special Interest Group.

SMBus Specification, Revision 2.0.

Revision History

September 26, 2007: Initial publication of preliminary user manual.

November 28, 2007: Updated Chapter 1 to reflect some pins are not available in the 19x19 pinout package.

December 4, 2007: Added hardwired address locations for MSMBADDR and SSMBADDR to Chapters 1 and 5.

January 7, 2008: In Chapter 1, Table 1.9, MSMBADDR[4:1] pins changed to pull-down. In Chapter 5, I/O Expanders section, added text explaining legacy compatibility with Gen1 PCIe switches. In Chapter 8, modified the following fields: LOSEL in PCIELCAP has default value of 0x6, ARIS in PCIEDCAP2 is RO, and ARIFEN in PCIEDCTL2 is RO.

July 15, 2008: In Chapter 8. added Autonomous Link Reliability Management section and 4 registers. Removed General Purpose Register (0x40C).

August 25, 2008: In Chapter 2, deleted reference to FRSTS pins.

Notes

November 3, 2008: In Chapter 1, updated Table 1.2 with additional silicon revisions. Updated the description for the following fields in Chapter 8: LDIS and LRET in the PCIELCTL register, ULD in the ALRSTS register, and TLW in the PHYLCFG0 register, and changed the last Reserved field in the PCIEDCTL2 register from 31:6 to 15:6.

May 7, 2009: In Chapter 3, revised the Lane Reversal section.

July 21, 2009: In Chapter 3, revised section Dynamic Link Width Reconfiguration Support in the PES24T3G2. Also, deleted entire section Software Management of Link Width Upconfiguration and Down-configuration.

September 15, 2010: In Table 1.9, changed Buffer type for PCI Express from CML to PCIe differential and changed reference clocks to HCSL

October 26, 2010: In Chapter 2, revised Clocking section on page 1 to remove reference to REFCLKM.

September 23, 2011: Added DDDNC (Disable Downstream Device Number Checking) bit to Switch Control register in Chapter 8, Configuration Registers.

February 22, 2012: Added paragraph after Table 5.11 to explain use of DWord addresses.

Notes



Notes

About This Manual

Introduction	1
Content Summary	1
Signal Nomenclature	1
Numeric Representations	2
Data Units	2
Register Terminology	3
Use of Hypertext	4
Reference Documents	4
Revision History	4

PES24T3G2 Device Overview

Introduction	1-1
Features	1-1
Logic Diagram — PES24T3G2	1-4
Vendor ID	1-4
Device ID	1-5
Revision ID	1-5
JTAG ID	1-5
SSID/SSVID	1-5
Pin Description	1-6
Pin Characteristics	1-10
Port Configuration	1-11

Clocking, Reset and Initialization

Clocking	2-1
Initialization	2-1
Reset	2-2
Fundamental Reset	2-2
Hot Reset	2-5
Upstream Secondary Bus Reset	2-6
Downstream Secondary Bus Reset	2-6
Downstream Port Reset Outputs	2-7
Power Enable Controlled Reset Output	2-7
Power Good Controlled Reset Output	2-8

Link Operation

Introduction	3-1
Polarity Inversion	3-1
Lane Reversal	3-1
Link Width Negotiation	3-2
Dynamic Link Width Reconfiguration	3-3
Dynamic Link Width Reconfiguration Support in the PES24T3G2	3-3
Link Speed Negotiation	3-4
Link Speed Negotiation in the PES24T3G2	3-4
Software Management of Link Speed	3-5
Link Reliability	3-5

Notes

Autonomous Link Reliability Management	3-6
Link Retraining	3-7
Link Down	3-8
Slot Power Limit Support	3-8
Upstream Port	3-8
Downstream Port	3-8
Link States	3-8
Active State Power Management	3-9
Link Status	3-10
De-emphasis Negotiation	3-10
Low-Swing Transmitter Voltage Mode	3-10
Crosslink	3-10
 General Purpose I/O	
Introduction	4-1
GPIO Configuration	4-1
GPIO Pin Configured as an Input	4-1
GPIO Pin Configured as an Output	4-2
GPIO Pin Configured as an Alternate Function	4-2
 SMBus Interfaces	
Introduction	5-1
Master SMBus Interface	5-2
Initialization	5-2
Serial EEPROM	5-2
I/O Expanders	5-7
Slave SMBus Interface	5-12
Initialization	5-13
SMBus Transactions	5-13
 Power Management	
Introduction	6-1
PME Messages	6-2
PCI-Express Power Management Fence Protocol	6-2
Power Budgeting Capability	6-3
 Hot-Plug and Hot-Swap	
Hot-Plug	7-1
Hot-Plug I/O Expander	7-4
Hot-Plug Interrupts and Wake-up	7-4
Legacy System Hot-Plug Support	7-5
Hot-Swap	7-6
 Configuration Registers	
Configuration Space Organization	8-1
Upstream Port (Port 0)	8-2
Downstream Ports	8-6
Register Definitions	8-10
Type 1 Configuration Header Registers	8-10
PCI Express Capability Structure	8-20
Power Management Capability Structure	8-36
Message Signaled Interrupt Capability Structure	8-37

Notes

Subsystem ID and Subsystem Vendor ID	8-39
Extended Configuration Space Access Registers	8-39
Advanced Error Reporting (AER) Enhanced Capability	8-40
Device Serial Number Enhanced Capability	8-48
PCI Express Virtual Channel Capability	8-49
Power Budgeting Enhanced Capability	8-55
Switch Control and Status Registers	8-56
Autonomous Link Reliability Management	8-71

JTAG Boundary Scan

Introduction	9-1
Test Access Point	9-1
Signal Definitions	9-1
Boundary Scan Chain	9-3
Test Data Register (DR)	9-4
Boundary Scan Registers	9-4
Instruction Register (IR)	9-6
EXTEST	9-6
SAMPLE/PRELOAD	9-7
BYPASS	9-7
CLAMP	9-7
IDCODE	9-7
VALIDATE	9-8
RESERVED	9-8
Usage Considerations	9-8

Notes



List of Tables

Notes

Table 1.1	PES24T3G2 Device ID	1-5
Table 1.2	PES24T3G2 Revision ID	1-5
Table 1.3	PCI Express Interface Pins	1-6
Table 1.4	SMBus Interface Pins	1-6
Table 1.5	General Purpose I/O Pins	1-7
Table 1.6	System Pins	1-8
Table 1.7	Test Pins	1-8
Table 1.8	Power, Ground, and SerDes Resistor Pins	1-9
Table 1.9	Pin Characteristics	1-10
Table 2.1	Boot Configuration Vector Signals	2-1
Table 4.1	General Purpose I/O Pin Alternate Function	4-1
Table 4.2	GPIO Pin Configuration	4-1
Table 5.1	Serial EEPROM SMBus Address	5-2
Table 5.2	PES24T3G2 Compatible Serial EEPROMs	5-3
Table 5.3	Serial EEPROM Initialization Errors	5-6
Table 5.4	I/O Expander Function Allocation	5-7
Table 5.5	I/O Expander Default Output Signal Value	5-8
Table 5.6	I/O Expander 0 Signals	5-11
Table 5.7	I/O Expander 2 Signals	5-11
Table 5.8	I/O Expander 4 Signals	5-12
Table 5.9	Slave SMBus Address When a Static Address is Selected	5-13
Table 5.10	Slave SMBus Command Code Fields	5-13
Table 5.11	CSR Register Read or Write Operation Byte Sequence	5-14
Table 5.12	CSR Register Read or Write CMD Field Description	5-15
Table 5.13	Serial EEPROM Read or Write Operation Byte Sequence	5-15
Table 5.14	Serial EEPROM Read or Write CMD Field Description	5-16
Table 6.1	PES24T3G2 Power Management State Transition Diagram	6-2
Table 8.1	Base Addresses for Port Configuration Space Register	8-1
Table 8.2	Upstream Port 0 Configuration Space Registers	8-2
Table 8.3	Downstream Ports 2, 4, and 6 Configuration Space Registers	8-6
Table 9.1	JTAG Pin Descriptions	9-2
Table 9.2	Boundary Scan Chain	9-3
Table 9.3	Instructions Supported by PES24T3G2's JTAG Boundary Scan	9-6
Table 9.4	System Controller Device Identification Register	9-7

Notes



List of Figures

Notes

Figure 1.1	PES24T3G2 Architectural Block Diagram	1-3
Figure 1.2	PES24T3G2 Logic Diagram	1-4
Figure 1.3	PES24T3G2 Port Configuration	1-11
Figure 2.1	Fundamental Reset with Serial EEPROM initialization	2-4
Figure 2.2	Fundamental Reset using RSTHALT to keep device in Quasi-Reset state	2-5
Figure 2.3	Power Enable Controlled Reset Output Mode Operation	2-7
Figure 2.4	Power Good Controlled Reset Output Mode Operation	2-8
Figure 3.1	Merged Port Lane Reversal	3-2
Figure 3.2	PES24T3G2 ASPM Link State Transitions	3-9
Figure 5.1	SMBus Interface Configuration Examples	5-1
Figure 5.2	Single Double Word Initialization Sequence Format	5-3
Figure 5.3	Sequential Double Word Initialization Sequence Format	5-4
Figure 5.4	Configuration Done Sequence Format	5-4
Figure 5.5	Slave SMBus Command Code Format	5-13
Figure 5.6	CSR Register Read or Write CMD Field Format	5-15
Figure 5.7	Serial EEPROM Read or Write CMD Field Format	5-16
Figure 5.8	CSR Register Read Using SMBus Block Write/Read Transactions with PEC Disabled ..	5-17
Figure 5.9	Serial EEPROM Read Using SMBus Block Write/Read Transactions with PEC Disabled ..	5-17
Figure 5.10	CSR Register Write Using SMBus Block Write Transactions with PEC Disabled	5-18
Figure 5.11	Serial EEPROM Write Using SMBus Block Write Transactions with PEC Disabled	5-18
Figure 5.12	Serial EEPROM Write Using SMBus Block Write Transactions with PEC Enabled	5-18
Figure 5.13	CSR Register Read Using SMBus Read and Write Transactions with PEC Disabled	5-19
Figure 6.1	PES24T3G2 Power Management State Transition Diagram	6-1
Figure 7.1	Hot-Plug on Switch Downstream Slots Application	7-1
Figure 7.2	Hot-Plug with Switch on Add-In Card Application	7-2
Figure 7.3	Hot-Plug with Carrier Card Application	7-2
Figure 7.4	PES24T3G2 Hot-Plug Event Signalling	7-6
Figure 8.1	Port Configuration Space Organization	8-2
Figure 9.1	Diagram of the JTAG Logic	9-1
Figure 9.2	State Diagram of PES24T3G2's TAP Controller	9-2
Figure 9.3	Diagram of Observe-only Input Cell	9-4
Figure 9.4	Diagram of Output Cell	9-5
Figure 9.5	Diagram of Bidirectional Cell	9-5
Figure 9.6	Device ID Register Format	9-7

Notes



Register List

Notes

AERCAP - AER Capabilities (0x100)	8-40
AERCEM - AER Correctable Error Mask (0x114)	8-46
AERCES - AER Correctable Error Status (0x110)	8-45
AERCTL - AER Control (0x118)	8-47
AERHL1DW - AER Header Log 1st Doubleword (0x11C)	8-47
AERHL2DW - AER Header Log 2nd Doubleword (0x120)	8-47
AERHL3DW - AER Header Log 3rd Doubleword (0x124)	8-48
AERHL4DW - AER Header Log 4th Doubleword (0x128)	8-48
AERUEM - AER Uncorrectable Error Mask (0x108)	8-41
AERUES - AER Uncorrectable Error Status (0x104)	8-40
AERUESV - AER Uncorrectable Error Severity (0x10C)	8-44
ALRCNT - Autonomous Link Reliability Counter (0x56C)	8-73
ALRCTL - Autonomous Link Reliability Control (0x560)	8-71
ALRERT - Autonomous Link Reliability Error Rate Threshold (0x5680)	8-72
ALRSTS - Autonomous Link Reliability Status (0x564)	8-72
BAR0 - Base Address Register 0 (0x010)	8-13
BAR1 - Base Address Register 1 (0x014)	8-14
BCTL - Bridge Control Register (0x03E)	8-19
BIST - Built-in Self Test Register (0x00F)	8-13
CAPPTR - Capabilities Pointer Register (0x034)	8-18
CCODE - Class Code Register (0x009)	8-12
CLS - Cache Line Size Register (0x00C)	8-13
DID - Device Identification Register (0x002)	8-10
ECFGADDR - Extended Configuration Space Access Address (0x0F8)	8-39
ECFGDATA - Extended Configuration Space Access Data (0x0FC)	8-40
EEPROMINTF - Serial EEPROM Interface (0x42C)	8-64
EROMBASE - Expansion ROM Base Address Register (0x038)	8-18
GPECTL - General Purpose Event Control (0x450)	8-66
GPESTS - General Purpose Event Status (0x454)	8-67
GPIOCFG - General Purpose I/O Configuration (0x41C)	8-62
GPIOD - General Purpose I/O Data (0x420)	8-62
GPIOFUNC - General Purpose I/O Control Function (0x418)	8-61
HDR - Header Type Register (0x00E)	8-13
HPCFGCTL - Hot-Plug Configuration Control (0x408)	8-60
INTRLINE - Interrupt Line Register (0x03C)	8-18
INTRPIN - Interrupt PIN Register (0x03D)	8-19
IOBASE - I/O Base Register (0x01C)	8-15
IOBASEU - I/O Base Upper Register (0x030)	8-17
IOEXPADDR0 - SMBus I/O Expander Address 0 (0x434)	8-66
IOEXPADDR1 - SMBus I/O Expander Address 1 (0x438)	8-66
IOEXPINTF - I/O Expander Interface (0x430)	8-65
IOLIMIT - I/O Limit Register (0x01D)	8-15
IOLIMITU - I/O Limit Upper Register (0x032)	8-18
MBASE - Memory Base Register (0x020)	8-16
MLIMIT - Memory Limit Register (0x022)	8-16
MSIADDR - Message Signaled Interrupt Address (0x0D4)	8-38
MSICAP - Message Signaled Interrupt Capability and Control (0x0D0)	8-37
MSIMDATA - Message Signaled Interrupt Message Data (0x0DC)	8-39
MSIUADDR - Message Signaled Interrupt Upper Address (0x0D8)	8-38

Notes

PBUSN - Primary Bus Number Register (0x018).....	8-14
PCICMD - PCI Command Register (0x004).....	8-10
PCIECAP - PCI Express Capability (0x040).....	8-20
PCIEDCAP - PCI Express Device Capabilities (0x044).....	8-21
PCIEDCAP2 - PCI Express Device Capabilities 2 (0x064).....	8-32
PCIEDCTL - PCI Express Device Control (0x048).....	8-22
PCIEDCTL2 - PCI Express Device Control 2 (0x068).....	8-33
PCIEDSTS - PCI Express Device Status (0x04A).....	8-23
PCIEDSTS2 - PCI Express Device Status 2 (0x06A).....	8-33
PCIELCAP - PCI Express Link Capabilities (0x04C).....	8-24
PCIELCAP2 - PCI Express Link Capabilities 2 (0x06C).....	8-33
PCIELCTL - PCI Express Link Control (0x050).....	8-25
PCIELCTL2 - PCI Express Link Control 2 (0x070).....	8-33
PCIELSTS - PCI Express Link Status (0x052).....	8-27
PCIELSTS2 - PCI Express Link Status 2 (0x072).....	8-35
PCIESCAP - PCI Express Slot Capabilities (0x054).....	8-28
PCIESCAP2 - PCI Express Slot Capabilities 2 (0x074).....	8-35
PCIESCTL - PCI Express Slot Control (0x058).....	8-30
PCIESCTL2 - PCI Express Slot Control 2 (0x078).....	8-35
PCIESSTS - PCI Express Slot Status (0x05A).....	8-31
PCIESSTS2 - PCI Express Slot Status 2 (0x07A).....	8-36
PCIEVCECAP - PCI Express VC Enhanced Capability Header (0x200).....	8-49
PCISTS - PCI Status Register (0x006).....	8-11
PHYLCFG0 - Phy Link Configuration 0 (0x530).....	8-68
PHYLSTATE0 - Phy Link State 0 (0x540).....	8-70
PHYLSTS0 - Phy Link Status 0 (0x538).....	8-69
PHYPRBS - Phy PRBS Seed (0x55C).....	8-71
PLTIMER - Primary Latency Timer (0x00D).....	8-13
PMBASE - Prefetchable Memory Base Register (0x024).....	8-16
PMBASEU - Prefetchable Memory Base Upper Register (0x028).....	8-17
PMCAP - PCI Power Management Capabilities (0x0C0).....	8-36
PMCSR - PCI Power Management Control and Status (0x0C4).....	8-37
PMLIMIT - Prefetchable Memory Limit Register (0x026).....	8-17
PMLIMITU - Prefetchable Memory Limit Upper Register (0x02C).....	8-17
PVCCAP1 - Port VC Capability 1 (0x204).....	8-49
PVCCAP2 - Port VC Capability 2 (0x208).....	8-50
PVCCCTL - Port VC Control (0x20C).....	8-50
PVCSTS - Port VC Status (0x20E).....	8-50
PWRBCAP - Power Budgeting Capabilities (0x280).....	8-55
PWRBD - Power Budgeting Data (0x288).....	8-56
PWRBDSEL - Power Budgeting Data Select (0x284).....	8-55
PWRBDV[7:0] - Power Budgeting Data Value [7:0] (0x300 - 0x31C).....	8-56
PWRBPBC - Power Budgeting Power Budget Capability (0x28C).....	8-56
RID - Revision Identification Register (0x008).....	8-12
SBUSN - Secondary Bus Number Register (0x019).....	8-14
SECSTS - Secondary Status Register (0x01E).....	8-15
SERDESCTL - SerDes Control (0x500).....	8-67
SLTIMER - Secondary Latency Timer Register (0x01B).....	8-14
SMBUSCTL - SMBus Control (0x428).....	8-63
SMBUSSTS - SMBus Status (0x424).....	8-62
SNUMCAP - Serial Number Capabilities (0x180).....	8-48
SNUMLDW - Serial Number Lower Doubleword (0x184).....	8-48
SNUMUDW - Serial Number Upper Doubleword (0x188).....	8-48
SSIDSSVID - Subsystem ID and Subsystem Vendor ID (0x0F4).....	8-39
SSIDSSVIDCAP - Subsystem ID and Subsystem Vendor ID Capability (0x0F0).....	8-39

Notes

SUBUSN - Subordinate Bus Number Register (0x01A).....	8-14
SWCTL - Switch Control (0x404)	8-57
SWSTS - Switch Status (0x400)	8-56
VCR0CAP- VC Resource 0 Capability (0x210).....	8-51
VCR0CTL- VC Resource 0 Control (0x214).....	8-51
VCR0STS - VC Resource 0 Status (0x218).....	8-52
VCR0TBL0 - VC Resource 0 Arbitration Table Entry 0 (0x220).....	8-53
VCR0TBL1 - VC Resource 0 Arbitration Table Entry 1 (0x224).....	8-53
VCR0TBL2 - VC Resource 0 Arbitration Table Entry 2 (0x228).....	8-54
VCR0TBL3 - VC Resource 0 Arbitration Table Entry 3 (0x22C).....	8-54
VID - Vendor Identification Register (0x000).....	8-10

Notes



PES24T3G2 Device Overview

Notes

Introduction

The 89HPES24T3G2 is a member of IDT's PRECISE™ family of PCI Express® switching solutions. The PES24T3G2 is a 24-lane, 3-port Gen2 peripheral chip that performs PCI Express base switching with a feature set optimized for high performance applications such as servers, storage, and communications systems. It provides connectivity and switching functions between a PCI Express upstream port and two downstream ports and supports switching between downstream ports.

Features

- ◆ **High Performance PCI Express Switch**
 - *Twenty-four 5 Gbps Gen2 PCI Express lanes supporting 5 Gbps and 2.5 Gbps operation*
 - *Up to three switch ports*
 - *Support for Max Payload Size up to 2048 bytes*
 - *Supports one virtual channel and eight traffic classes*
 - *Fully compliant with PCI Express base specification Revision 2.0*
- ◆ **Flexible Architecture with Numerous Configuration Options**
 - *Automatic per port link width negotiation to x8, x4, x2, or x1*
 - *Automatic lane reversal on all ports*
 - *Automatic polarity inversion*
 - *Supports in-band hot-plug presence detect capability*
 - *Supports external signal for hot plug event notification allowing SCI/SMI generation for legacy operating systems*
 - *Dynamic link width reconfiguration for power/performance optimization*
 - *Configurable downstream port PCI-to-PCI bridge device numbering*
 - *Crosslink support*
 - *Supports ARI forwarding defined in the Alternative Routing-ID Interpretation (ARI) ECN for virtualized and non-virtualized environments*
 - *Ability to load device configuration from serial EEPROM*
- ◆ **Legacy Support**
 - *PCI compatible INTx emulation*
 - *Supports bus locked transactions, allowing use of PCI Express with legacy software*
- ◆ **Highly Integrated Solution**
 - *Requires no external components*
 - *Incorporates on-chip internal memory for packet buffering and queueing*
 - *Integrates twenty-four 5 Gbps / 2.5 Gbps embedded SerDes, 8B/10B encoder/decoder (no separate transceivers needed)*
- ◆ **Reliability, Availability, and Serviceability (RAS) Features**
 - *Ability to disable peer-to-peer communications*
 - *Supports ECRC and Advanced Error Reporting*
 - *All internal data and control RAMs are SECDED ECC protected*
 - *Supports PCI Express hot-plug on all downstream ports*
 - *Supports upstream port hot-plug*
 - *Hot-swap capable I/O*
 - *External Serial EEPROM contents are checksum protected*
 - *Supports PCI Express Device Serial Number Capability*
 - *Capability to monitor link reliability and autonomously change link speed to prevent link instability*

Notes

◆ **Power Management**

- Utilizes advanced low-power design techniques to achieve low typical power consumption
- Support PCI Power Management Interface specification (PCI-PM 1.1)
 - Supports device power management states: D0, D3_{hot} and D3_{cold}
- Support for PCI Express Active State Power Management (ASPM) link state
 - Supports link power management states: L0, L0s, L1, L2/L3 Ready and L3
- Supports PCI Express Power Budgeting Capability
- Configurable SerDes power consumption
 - Supports optional PCI-Express SerDes Transmit Low-Swing Voltage Mode
 - Supports numerous SerDes Transmit Voltage Margin settings
- Unused SerDes are disabled

◆ **Testability and Debug Features**

- Per port link up and activity status outputs available on I/O expander outputs
- Built in SerDes 8-bit and 10-bit pseudo-random bit stream (PRBS) generators
- Numerous SerDes test modes, including a PRBS Master Loopback mode for in-system link testing
- Ability to read and write any internal register via SMBus and JTAG interfaces, including SerDes internal controls
- Per port statistics and performance counters, as well as proprietary link status registers

◆ **General Purpose Input/Output Pins**

- Each pin may be individually configured as an input or output
- Each pin may be individually configured as an interrupt input
- Some pins have selectable alternate functions

◆ **Option A Package: 19mm x 19mm 324-ball Flip Chip BGA with 1mm ball spacing**◆ **Option B Package: 27mm x 27mm 676-ball Flip Chip BGA with 1mm ball spacing**

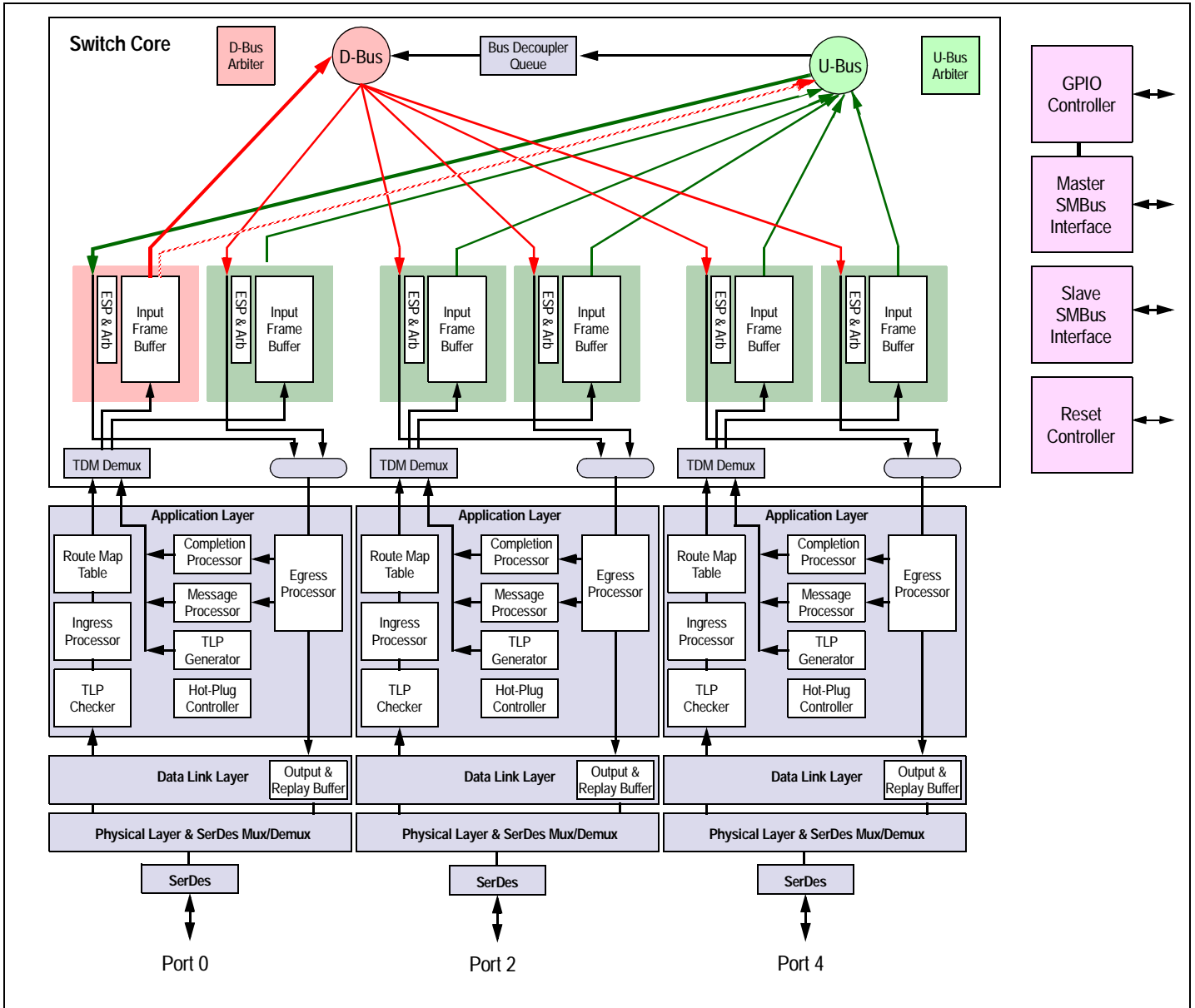


Figure 1.1 PES24T3G2 Architectural Block Diagram

Logic Diagram — PES24T3G2

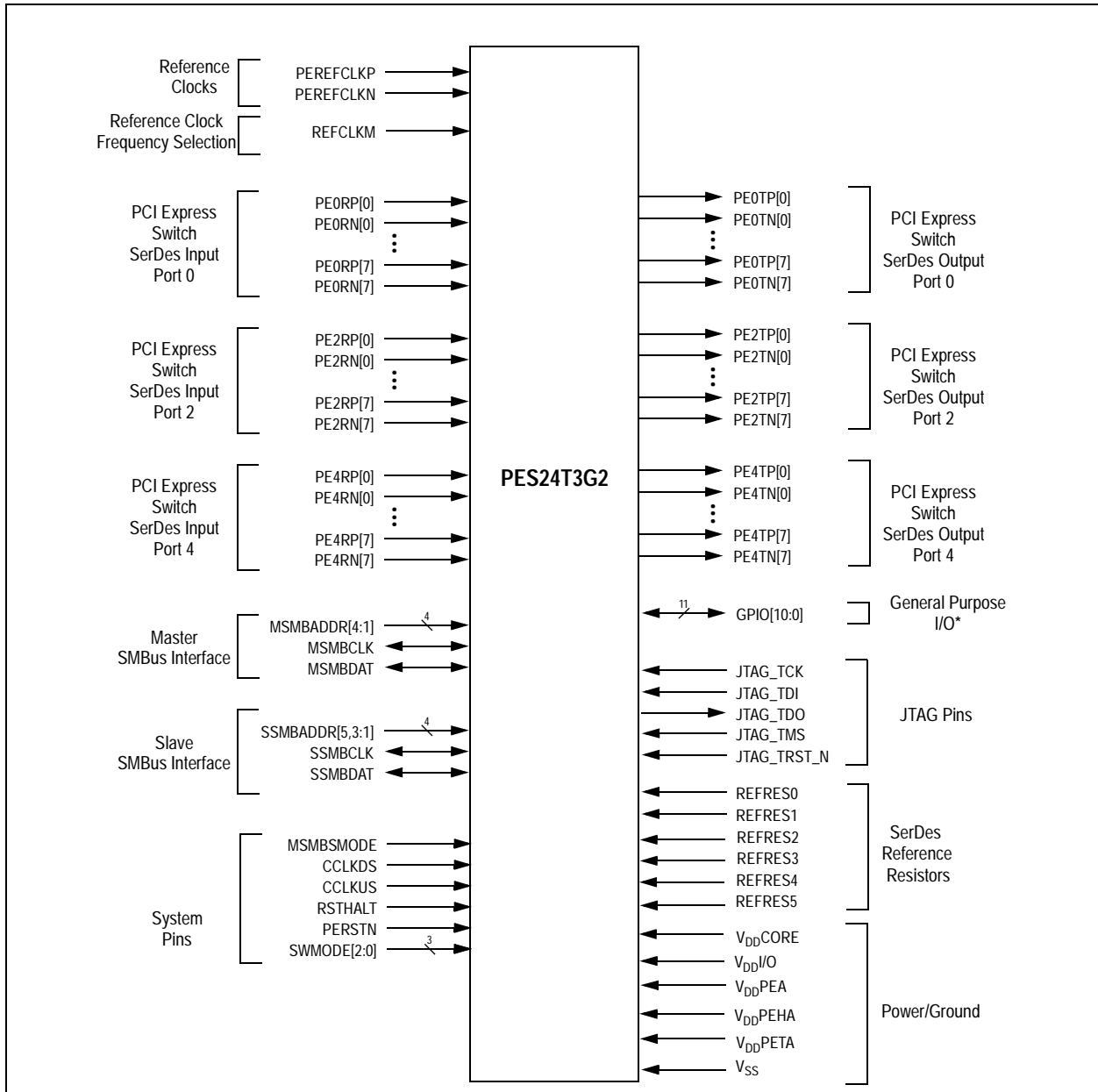


Figure 1.2 PES24T3G2 Logic Diagram

Note: The following pins are not available in the 19mm package: REFCLKM, MSMBADDR, SSMBADDR, MSMBSMODE, RSTHALT, GPIO[6:3].

Vendor ID

All vendor IDs in the device are hardwired to 0x111D which corresponds to Integrated Device Technology, Inc.

Notes

Device ID

The PES24T3G2 device ID is shown in Table 1.1.

PCIe Device	Device ID
0x2	0x806A

Table 1.1 PES24T3G2 Device ID

Revision ID

The PES24T3G2 revision ID is shown in Table 1.2.

Revision ID Offset	Description
0x0	Corresponds to ZA silicon.
0x01	Corresponds to ZB silicon.
0x02	Corresponds to ZC silicon.

Table 1.2 PES24T3G2 Revision ID

JTAG ID

The JTAG ID is:

- Version: Same value as Revision ID. See Table 1.2.
- Part number: Same value as base Device ID. See Table 1.1.
- Manufacture ID: 0x33
- LSB: 0x1

SSID/SSVID

The PES24T3G2 contains the mechanisms necessary to implement the PCI-to-PCI bridge Subsystem ID and Subsystem Vendor ID capability structure. However, in the default configuration the Subsystem ID and Subsystem Vendor ID capability structure is not enabled. To enable the capability, the SSID and SSVID fields in the Subsystem ID and Subsystem Vendor ID (SSIDSSVID) register must be initialized with the appropriate ID values. the Next Pointer (NXTPTR) field in one of the other enhanced capabilities should be initialized to point to this capability. Finally, the Next Pointer (NXTPTR) of this capability should be adjusted to point to the next capability if necessary.

Notes

Pin Description

The following tables list the functions of the pins provided on the PES24T3G2. Some of the functions listed may be multiplexed onto the same pin. The active polarity of a signal is defined using a suffix. Signals ending with an "N" are defined as being active, or asserted, when at a logic zero (low) level. All other signals (including clocks, buses, and select lines) will be interpreted as being active, or asserted, when at a logic one (high) level.

Note: In the PES24T3G2, the two downstream ports are labeled port 2 and port 4.

Signal	Type	Name/Description
PE0RP[7:0] PE0RN[7:0]	I	PCI Express Port 0 Serial Data Receive. Differential PCI Express receive pairs for port 0. Port 0 is the upstream port.
PE0TP[7:0] PE0TN[7:0]	O	PCI Express Port 0 Serial Data Transmit. Differential PCI Express transmit pairs for port 0. Port 0 is the upstream port.
PE2RP[7:0] PE2RN[7:0]	I	PCI Express Port 2 Serial Data Receive. Differential PCI Express receive pairs for port 2.
PE2TP[7:0] PE2TN[7:0]	O	PCI Express Port 2 Serial Data Transmit. Differential PCI Express transmit pairs for port 2.
PE4RP[7:0] PE4RN[7:0]	I	PCI Express Port 4 Serial Data Receive. Differential PCI Express receive pairs for port 4.
PE4TP[7:0] PE4TN[7:0]	O	PCI Express Port 4 Serial Data Transmit. Differential PCI Express transmit pairs for port 4.
PEREFCLKP PEREFCLKN	I	PCI Express Reference Clock. Differential reference clock pair input. This clock is used as the reference clock by on-chip PLLs to generate the clocks required for the system logic and on-chip SerDes. The frequency of the differential reference clock is determined by the REFCLKM signal.
REFCLKM ¹	I	PCI Express Reference Clock Mode Select. This signal selects the frequency of the reference clock input. 0x0 - 100 MHz 0x1 - 125 MHz This pin should be static and not change following the negation of PERSTN.

Table 1.3 PCI Express Interface Pins

¹ REFCLKM is not available in the 19mm package and frequency is set at 100MHz.

Signal	Type	Name/Description
MSMBADDR[4:1] ¹	I	Master SMBus Address. These pins determine the SMBus address of the serial EEPROM from which configuration information is loaded.
MSMBCLK	I/O	Master SMBus Clock. This bidirectional signal is used to synchronize transfers on the master SMBus.
MSMBDAT	I/O	Master SMBus Data. This bidirectional signal is used for data on the master SMBus.
SSMBADDR[5:3:1] ²	I	Slave SMBus Address. These pins determine the SMBus address to which the slave SMBus interface responds.
SSMBCLK	I/O	Slave SMBus Clock. This bidirectional signal is used to synchronize transfers on the slave SMBus.

Table 1.4 SMBus Interface Pins (Part 1 of 2)

Notes

Signal	Type	Name/Description
SSMBDAT	I/O	Slave SMBus Data. This bidirectional signal is used for data on the slave SMBus.

Table 1.4 SMBus Interface Pins (Part 2 of 2)

¹ MSMBADDR pins are not available in the 19mm package. Address hardwired to 0x50.

² SSMBADDR pins are not available in the 19mm package. Address hardwired to 0x77.

Signal	Type	Name/Description
GPIO[0]	I/O	General Purpose I/O. This pin can be configured as a general purpose I/O pin. Alternate function pin name: P2RSTN Alternate function pin type: Output Alternate function: Reset output for downstream port 2
GPIO[1]	I/O	General Purpose I/O. This pin can be configured as a general purpose I/O pin. Alternate function pin name: P4RSTN Alternate function pin type: Output Alternate function: Reset output for downstream port 4
GPIO[2]	I/O	General Purpose I/O. This pin can be configured as a general purpose I/O pin. Alternate function pin name: IOEXPINTN0 Alternate function pin type: Input Alternate function: I/O Expander interrupt 0 input
GPIO[3] ¹	I/O	General Purpose I/O. This pin can be configured as a general purpose I/O pin. Alternate function pin name: IOEXPINTN1 Alternate function pin type: Input Alternate function: I/O Expander interrupt 1 input
GPIO[4] ¹	I/O	General Purpose I/O. This pin can be configured as a general purpose I/O pin. Alternate function pin name: IOEXPINTN2 Alternate function pin type: Input Alternate function: I/O Expander interrupt 2 input
GPIO[5] ¹	I/O	General Purpose I/O. This pin can be configured as a general purpose I/O pin.
GPIO[6] ¹	I/O	General Purpose I/O. This pin can be configured as a general purpose I/O pin.
GPIO[7]	I/O	General Purpose I/O. This pin can be configured as a general purpose I/O pin. Alternate function pin name: GPEN Alternate function pin type: Output Alternate function: General Purpose Event (GPE) output
GPIO[8]	I/O	General Purpose I/O. This pin can be configured as a general purpose I/O pin.
GPIO[9]	I/O	General Purpose I/O. This pin can be configured as a general purpose I/O pin.
GPIO[10]	I/O	General Purpose I/O. This pin can be configured as a general purpose I/O pin.

Table 1.5 General Purpose I/O Pins

¹ GPIO pins 3, 4, 5, 6 are not available in the 19mm package.

Notes

Signal	Type	Name/Description
CCLKDS	I	Common Clock Downstream. The assertion of this pin indicates that all downstream ports are using the same clock source as that provided to downstream devices. This bit is used as the initial value of the Slot Clock Configuration bit in all of the Link Status Registers for downstream ports. The value may be overridden by modifying the SCLK bit in each downstream port's PCIELSTS register.
CCLKUS	I	Common Clock Upstream. The assertion of this pin indicates that the upstream port is using the same clock source as the upstream device. This bit is used as the initial value of the Slot Clock Configuration bit in the Link Status Register for the upstream port. The value may be overridden by modifying the SCLK bit in the P0_PCIELSTS register.
MSMBSMODE ¹	I	Master SMBus Slow Mode. The assertion of this pin indicates that the master SMBus should operate at 100 KHz instead of 400 KHz. This value may not be overridden.
PERSTN	I	Fundamental Reset. Assertion of this signal resets all logic inside PES24T3G2 and initiates a PCI Express fundamental reset.
RSTHALT ²	I	Reset Halt. When this signal is asserted during a PCI Express fundamental reset, PES24T3G2 executes the reset procedure and remains in a reset state with the Master and Slave SMBuses active. This allows software to read and write registers internal to the device before normal device operation begins. The device exits the reset state when the RSTHALT bit is cleared in the SWCTL register by an SMBus master.
SWMODE[2:0]	I	Switch Mode. These configuration pins determine the PES24T3G2 switch operating mode. 0x0 - Normal switch mode 0x1 - Normal switch mode with Serial EEPROM initialization 0x2 - through 0x7 Reserved These pins should be static and not change following the negation of PERSTN.

Table 1.6 System Pins

¹. MSMBSMODE is not available in the 19mm package, resulting in the master SMBus operating only at 400 KHz.

². RSTHALT is not available in the 19mm package.

Signal	Type	Name/Description
JTAG_TCK	I	JTAG Clock. This is an input test clock used to clock the shifting of data into or out of the boundary scan logic or JTAG Controller. JTAG_TCK is independent of the system clock with a nominal 50% duty cycle.
JTAG_TDI	I	JTAG Data Input. This is the serial data input to the boundary scan logic or JTAG Controller.
JTAG_TDO	O	JTAG Data Output. This is the serial data shifted out from the boundary scan logic or JTAG Controller. When no data is being shifted out, this signal is tri-stated.
JTAG_TMS	I	JTAG Mode. The value on this signal controls the test mode select of the boundary scan logic or JTAG Controller.

Table 1.7 Test Pins (Part 1 of 2)

Notes

Signal	Type	Name/Description
JTAG_TRST_N	I	JTAG Reset. This active low signal asynchronously resets the boundary scan logic and JTAG TAP Controller. An external pull-up on the board is recommended to meet the JTAG specification in cases where the tester can access this signal. However, for systems running in functional mode, one of the following should occur: 1) actively drive this signal low with control logic 2) statically drive this signal low with an external pull-down on the board

Table 1.7 Test Pins (Part 2 of 2)

Signal	Type	Name/Description
REFRES0, REFRES1	I/O	Port 0 External Reference Resistors. Provides a reference for the Port 0 SerDes bias currents and PLL calibration circuitry. A 3 kOhm +/- 1% resistor should be connected from these pins to ground.
REFRES2, REFRES3	I/O	Port 2 External Reference Resistors. Provides a reference for the Port 2 SerDes bias currents and PLL calibration circuitry. A 3 kOhm +/- 1% resistor should be connected from these pins to ground.
REFRES4, REFRES5	I/O	Port 4 External Reference Resistors. Provides a reference for the Port 4 SerDes bias currents and PLL calibration circuitry. A 3 kOhm +/- 1% resistor should be connected from these pins to ground.
V _{DD} CORE	I	Core V_{DD}. Power supply for core logic.
V _{DD} I/O	I	I/O V_{DD}. LVTTTL I/O buffer power supply.
V _{DD} PEA	I	PCI Express Analog Power. Serdes analog power supply (1.0V).
V _{DD} PEHA	I	PCI Express Analog High Power. Serdes analog power supply (2.5V).
V _{DD} PETA	I	PCI Express Transmitter Analog Voltage. Serdes transmitter analog power supply (1.0V).
V _{SS}	I	Ground.

Table 1.8 Power, Ground, and SerDes Resistor Pins

Notes

Pin Characteristics

Note: Some input pads of the PES24T3G2 do not contain internal pull-ups or pull-downs. Unused inputs should be tied off to appropriate levels. This is especially critical for unused control signal inputs which, if left floating, could adversely affect operation. Also, any input pin left floating can cause a slight increase in power consumption.

Function	Pin Name	Type	Buffer	I/O Type	Internal Resistor ¹	Notes		
PCI Express Interface	PE0RN[7:0]	I	PCIe differential ²	Serial Link				
	PE0RP[7:0]	I						
	PE0TN[7:0]	O						
	PE0TP[7:0]	O						
	PE2RN[7:0]	I						
	PE2RP[7:0]	I						
	PE2TN[7:0]	O						
	PE2TP[7:0]	O						
	PE4RN[7:0]	I						
	PE4RP[7:0]	I						
	PE4TN[7:0]	O						
	PE4TP[7:0]	O						
	PEREFCLKN	I			HCSL	Diff. Clock Input		Refer to Table 9 in the PES24T3G2 Data Sheet
	PEREFCLKP	I						
		REFCLKM ³	I	LVTTTL	Input	pull-down		
SMBus	MSMBADDR[4:1] ⁴	I	LVTTTL	Input	pull-down			
	MSMBCLK	I/O		STI ⁵		pull-up on board		
	MSMBDAT	I/O		STI		pull-up on board		
	SSMBADDR[5,3:1] ⁴	I		Input	pull-up			
	SSMBCLK	I/O		STI		pull-up on board		
	SSMBDAT	I/O		STI		pull-up on board		
General Purpose I/O	GPIO[10:0] ⁶	I/O	LVTTTL	STI, High Drive	pull-up			
System Pins	CCLKDS	I	LVTTTL	Input	pull-up			
	CCLKUS	I		Input	pull-up			
	MSMBSMODE ⁷	I		Input	pull-down			
	PERSTN	I		STI				
	RSTHALT ⁷	I		Input	pull-down			
	SWMODE[2:0]	I		Input	pull-down			

Table 1.9 Pin Characteristics (Part 1 of 2)

Notes

Function	Pin Name	Type	Buffer	I/O Type	Internal Resistor ¹	Notes
EJTAG / JTAG	JTAG_TCK	I	LVTTTL	STI	pull-up	
	JTAG_TDI	I		STI	pull-up	
	JTAG_TDO	O				
	JTAG_TMS	I		STI	pull-up	
	JTAG_TRST_N	I		STI	pull-up	
SerDes Reference Resistors	REFRES0	I/O	Analog			
	REFRES1	I/O				
	REFRES2	I/O				
	REFRES3	I/O				
	REFRES4	I/O				
	REFRES5	I/O				

Table 1.9 Pin Characteristics (Part 2 of 2)

- ¹. Internal resistor values under typical operating conditions are 92K Ω for pull-up and 90K Ω for pull-down.
- ². All receiver pins set the DC common mode voltage to ground. All transmitters must be AC coupled to the media.
- ³. REFCLKM pin is not available in the 19mm package.
- ⁴. SMBus address pins are not available in the 19mm package.
- ⁵. Schmitt Trigger Input (STI).
- ⁶. GPIO pins 3, 4, 5, 6 are not available in the 19mm package.
- ⁷. MSMBSMODE and RSTHALT are not available in the 19mm package.

Port Configuration

The PES24T3G2 operates as a 3-port switch with all ports having a x8 width, as shown in Figure 1.3.

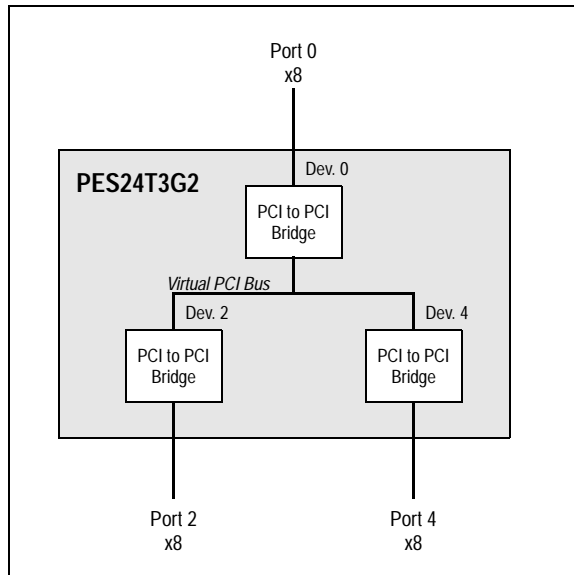


Figure 1.3 PES24T3G2 Port Configuration

Notes



Clocking, Reset and Initialization

Notes

Clocking

The PES24T3G2 has a single differential reference clock input (PEREFCLKP/PEREFCLKN) that is used internally to generate all of the clocks required by the internal switch logic and the SerDes. The frequency of the reference clock input is set to 100MHz.

Note: There are no skew requirement between the reference clock inputs.

Initialization

A boot configuration vector consisting of the signals listed in Table 2.1 is sampled by the PES24T3G2 during a Fundamental Reset when PERSTN is negated. The boot configuration vector defines essential parameters for switch operation. Since the boot configuration vector is sampled only during a Fundamental Reset sequence, the value of signals which make up the boot configuration vector is ignored during other times and their state outside of a Fundamental Reset has no effect on the operation of the PES24T3G2.

While basic switch operation may be configured using signals in the boot configuration vector, advanced switch features require configuration via an external serial EEPROM. The external serial EEPROM allows modification of any bit in any software visible register. See Chapter 5, SMBus Interfaces, for more information on the serial EEPROM.

The external serial EEPROM and slave SMBus interface may be used to override the function of some of the signals in the boot configuration vector during a Fundamental Reset. The signals that may be overridden are noted in Table 2.1. The state of all of the boot configuration signals in Table 2.1 sampled during the most recent Fundamental Reset may be determined by reading the SWSTS register.

Signal	May Be Overridden	Description
CCLKDS	I	Common Clock Downstream. The assertion of this pin indicates that all downstream ports are using the same clock source as that provided to downstream devices. This bit is used as the initial value of the Slot Clock Configuration bit in all of the Link Status Registers for downstream ports. The value may be overridden by modifying the SCLK bit in each downstream port's PCIELSTS register.
CCLKUS	I	Common Clock Upstream. The assertion of this pin indicates that the upstream port is using the same clock source as the upstream device. This bit is used as the initial value of the Slot Clock Configuration bit in the Link Status Register for the upstream port. The value may be overridden by modifying the SCLK bit in the P0_PCIELSTS register.
MSMBSMODE ¹	I	Master SMBus Slow Mode. The assertion of this pin indicates that the master SMBus should operate at 100 KHz instead of 400 KHz. This value may not be overridden.

Table 2.1 Boot Configuration Vector Signals

Notes

Signal	May Be Overridden	Description
PERSTN	I	Fundamental Reset. Assertion of this signal resets all logic inside PES24T3G2 and initiates a PCI Express fundamental reset.
RSTHALT ²	I	Reset Halt. When this signal is asserted during a PCI Express fundamental reset, PES24T3G2 executes the reset procedure and remains in a reset state with the Master and Slave SMBuses active. This allows software to read and write registers internal to the device before normal device operation begins. The device exits the reset state when the RSTHALT bit is cleared in the SWCTL register by an SMBus master.
SWMODE[2:0]	I	Switch Mode. These configuration pins determine the PES24T3G2 switch operating mode. 0x0 - Normal switch mode 0x1 - Normal switch mode with Serial EEPROM initialization 0x2 - through 0x7 Reserved These pins should be static and not change following the negation of PERSTN.

Table 2.1 Boot Configuration Vector Signals

¹ MSMBSMODE is not available in the 19mm package, resulting in the master SMBus operating only at 400 KHz.

² RSTHALT is not available in the 19mm package.

Reset

The PES24T3G2 defines four Conventional Reset categories: Fundamental reset, Hot Reset, Upstream Secondary Bus Hot-Reset, and Downstream Secondary Bus Hot-Reset.

- A Fundamental Reset causes all logic in the PES24T3G2 to be returned to an initial state.
- A Hot Reset causes all logic in the PES24T3G2 to be returned to an initial state, but does not cause the state of register fields denoted as “sticky” to be modified.
- An Upstream Secondary Bus Reset causes all devices on the virtual PCI bus to be hot reset except the upstream port (i.e., upstream PCI to PCI bridge).
- A Downstream Secondary Bus Reset causes a hot reset to be propagated on the corresponding external secondary bus link.

There are two sub-categories of Fundamental Reset: Cold reset and Warm reset. A Cold Reset occurs following the PES24T3G2 being powered on and assertion of PERSTN. A Warm Reset is a Fundamental Reset that occurs without removal of power.

Fundamental Reset

A Fundamental Reset may be initiated by any of the following conditions:

- A cold reset initiated by a power-on and the assertion of the PCI Express Reset (PERSTN) input pin.
- A warm reset initiated by the assertion of the PCI Express Reset (PERSTN) input pin while power is on.
- A warm reset initiated by the writing of a one to the Fundamental Reset (FRST) bit in the Switch Control (SWCTL) register.

Notes

When configured to operate in normal mode, the following reset sequence is executed.

1. Wait for the Fundamental Reset condition to clear (e.g., negation of PERSTN). Note that PERSTN must be asserted for at least 100ms (T_{pvperl}) after the PES24T3G2 power supplies are stable, and 100 μ s ($T_{perst-clk}$) after the reference clock input is stable.
2. On negation of PERSTN, sample the boot configuration signals listed in Table 2.1. If PERSTN was not asserted, use the previously sampled boot configuration signal values (e.g., when a Fundamental Reset is the result of setting the Fundamental Reset (FRST) bit in the Switch Control (SWCTL) register).
3. Examine the state of the sampled SWMODE[2:0] signals to determine the switch operating mode.
4. The PLL and SerDes are initialized (i.e., PLL/CDR reset and lock).
5. Link training begins. While link training is in progress, proceed to step 6.
6. If the Reset Halt (RSTHALT) pin is asserted, the RSTHALT bit in the SWSTS register is set.
7. If the switch operating mode is not a test mode, then the reset signal to the PCI Express stacks and associated logic is negated but they are held in a quasi-reset state in which the following actions occur.
 - All links enter an active link training state within 20ms of the clearing of the Fundamental Reset condition.
 - Within 100ms of the clearing of the Fundamental Reset condition, all of the stacks are able to process configuration transactions and respond to these transactions with a configuration request retry status completion. All other transactions are ignored.
8. The master SMBus operating frequency is determined.
The state of the MSMBSMODE signal is examined. If it is asserted, then the master SMBus is initialized to operate at 100 KHz rather than 400 KHz.
9. The slave SMBus is taken out of reset and initialized. The slave SMBus address specified by the SSMBADDR[5,3:1] pins is used.
10. The master SMBus is taken out of reset and initialized.
11. If the selected switch operating mode is one that requires initialization from the serial EEPROM, then the contents of the serial EEPROM are read and the appropriate PES24T3G2 registers are updated.
 - If a one is written by the serial EEPROM to the Full Link Retrain (FLRET) bit in any Phy Link State 0 (PHYLSTATE0) register, then link retraining is initiated on the corresponding port using the current link parameters.
 - If an error is detected during loading of the serial EEPROM, then loading of the serial EEPROM is aborted and the RSTHALT bit is set in the SWCTL register. Error information is recorded in the SMBUSSTS register.

When serial EEPROM initialization completes or when an error is detected, the EEPROM Done (EEPROMDONE) bit in the SMBUSSTS register is set. If the RSTHALT bit is set in the SWCTL register, return to step 11. Otherwise, proceed to step 12.

12. If the Reset Halt (RSTHALT) bit is set in the SWCTL register, all of the logic is held in a reset state except the master and slave SMBuses, the control/status registers, and the stacks which continue to be held in a quasi-reset state and respond to configuration transactions with a retry. The device remains in this state until the RSTHALT bit is cleared via the slave SMBus. In this mode, an external agent may read and write any internal control and status registers and may access the external serial EEPROM via the EEPROMINTF register.
13. Normal device operation begins.

The PCIe specification indicates that a device must respond to Configuration Request transactions within 100 ms from the end of Conventional Reset (cold, warm, or hot). Additionally, the PCIe specification indicates that a device must respond to Configuration Requests with a Successful Completion within 1.0 second after Conventional Reset of a device. The reset sequence above guarantees that the PES24T3G2 will be ready to respond successfully to configuration request within the 1.0 second period as long as the serial EEPROM initialization process completes within 200 ms. During EEPROM initialization, the

Notes

PES24T3G2 responds to a Configuration Request with Configuration-Request-Retry-Status Completion. Under normal circumstances, 200 ms is more than adequate to initialize registers in the device even with a Master SMBus operating frequency of 100 KHz.

Serial EEPROM initialization may cause writes to register fields that initiate side effects, such as link retraining. These side effects are initiated at the point where the write occurs. Therefore, serial EEPROM initialization should be structured in a manner so as to ensure proper configuration prior to initiation of these side effects.

A warm reset initiated by a configuration request writing a one to the Fundamental Reset (FRST) bit in the Switch Control (SWCTL) register always results in the PES24T3G2 returning a Successful Completion to the requester before the warm reset process begins. The PES24T3G2 provides a reset output signal for each downstream port implemented as a GPIO alternate function. When a Fundamental Reset occurs, all of the GPIO pins default to GPIO inputs. Therefore, the downstream port resets are tri-stated. A system designer should use a pull-down on these signals if they are used as reset outputs.

The operation of a Fundamental Reset with serial EEPROM initialization (i.e., SWMODE[2:0] = 0x1) is illustrated in Figure 2.1.

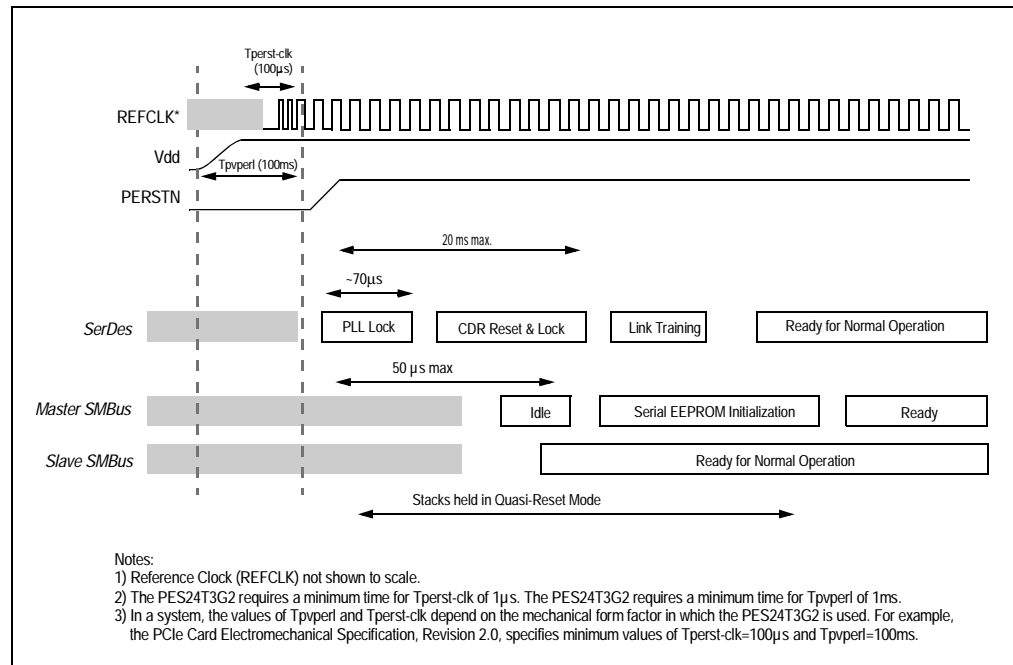


Figure 2.1 Fundamental Reset with Serial EEPROM initialization

The operation of a Fundamental Reset using RSTHALT is illustrated in Figure 2.2.

Notes

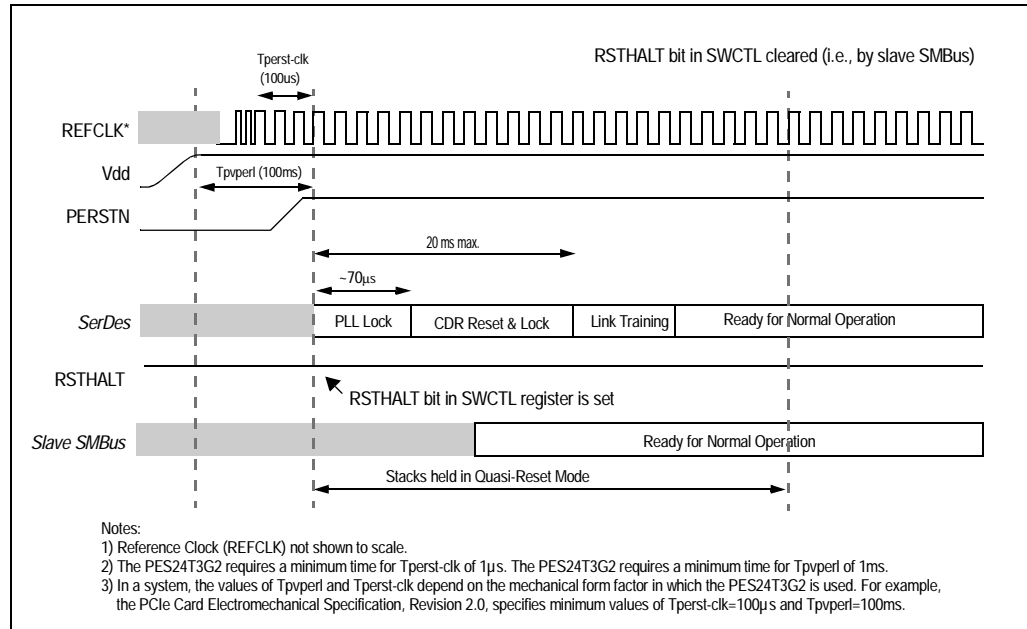


Figure 2.2 Fundamental Reset using RSTHALT to keep device in Quasi-Reset state

Hot Reset

A hot reset may be initiated by any of the following conditions:

- Reception of TS1 ordered-sets on the upstream port indicating a hot reset.
- Data link layer of the upstream port transitions to the DL_Down state.
- Writing a one to the Hot Reset (HRST) bit in the Switch Control (SWCTL) register.

The initiation of a hot reset due to the data link layer of the upstream port transitioning to the DL_Down state may be disabled by setting the Disable Link Down Hot Reset (DLDRST) bit in the Switch Control (SWCTL) register. Other hot reset conditions are unaffected by this bit.

When a hot reset occurs, the following sequence is executed.

1. Each downstream port whose link is up propagates the hot reset by transmitting TS1 ordered sets with the hot reset bit set.
2. All of the logic associated with the PES24T3G2 except the PLLs, SerDes, master SMBus interface, and slave SMBus interface is reset.
3. All registers fields in all registers, except those denoted as "sticky" or Read and Write when Unlocked (i.e, RWL), are reset to their initial value. The value of fields denoted as "sticky" or RWL is preserved across a hot reset.
4. Link training begins. While link training is in progress, proceed to step 6.
5. The PCI Express stacks and associated logic are held in a quasi-reset state in which the following actions occur.
 - All links enter an active link training state within 20ms of the clearing of the hot reset condition.
 - Within 100ms of the clearing of the Hot Reset condition, all of the stacks are able to process configuration transactions and respond to these transactions with a configuration request retry status completion. All other transactions are ignored.
6. If the selected switch operating mode is one that requires initialization from the serial EEPROM and the Disable Hot Reset Serial EEPROM Initialization (DHRSTSEI) bit is not set in the Switch Control (SWCTL) register, the contents of the serial EEPROM are read and the appropriate PES24T3G2 registers are updated.

Notes

- If a one is written by the serial EEPROM to the Full Link Retrain (FLRET) bit in any Phy Link State 0 (PHYLSTATE0) register, link retraining is initiated on the corresponding port using the current link parameters.
 - If an error is detected during loading of the serial EEPROM, then loading of the serial EEPROM is aborted and the RSTHALT bit is set in the SWCTL register. Error information is recorded in the SMBUSSTS register.
 - When serial EEPROM initialization completes or when an error is detected, the DONE bit in the SMBUSSTS register is set.
7. If the Reset Halt (RSTHALT) bit is set in the SWCTL register, all of the logic is held in a reset state except the master and slave SMBuses. The RSTHALT bit is only set if serial EEPROM initialization is enabled in step 6.
 8. Normal device operation begins.

The operation of the slave SMBus interface is unaffected by a hot reset. Using the slave SMBus to access a register that is reset by a hot reset causes zero to be returned on a read and written data to be ignored on writes. A hot reset initiated by the writing of a one to the Hot Reset (HRST) bit in the Switch Control (SWCTL) register always results in the PES24T3G2 returning a completion to the requester before the hot reset process begins. Additionally, the upstream link is fully retrained (i.e., the upstream LTSSM transitions to the Detect state).

Upstream Secondary Bus Reset

An Upstream Secondary Bus Reset may be initiated by the following condition:

- A one is written to the Secondary Bus Reset (SRESET) bit in the upstream port's (i.e., port 0) Bridge Control Register (BCTL).

When an Upstream Secondary Bus Reset occurs, the following sequence is executed.

1. Each downstream port whose link is up propagates the reset by transmitting TS1 ordered sets with the hot reset bit set.
2. All registers fields in all registers associated with downstream ports, except those denoted as "sticky" or Read and Write when Unlocked (i.e, RWL), are reset to their initial value. The value of fields denoted as "sticky" or RWL is unaffected by an Upstream Secondary Bus Reset.
3. All TLPs received from downstream ports and queued in the PES24T3G2 are discarded.
4. Logic in the stack, application layer, and switch core associated with the downstream ports are gracefully reset.
5. Wait for software to clear the Secondary Bus Reset (SRESET) bit in the upstream port's Bridge Control Register (BCTL).
6. Normal downstream port operation begins.

The operation of the upstream port is unaffected by a secondary bus reset. The link remains up and Type 0 configuration read and write transactions that target the upstream port complete normally. During an Upstream Secondary Bus Reset, all TLPs destined to the secondary side of the upstream port's PCI-to-PCI bridge are treated in an undefined manner. The user should ensure no TLPs are sent to the secondary side of the upstream port's PCI-to-PCI bridge until the SRESET bit in the BCTL register is cleared.

The operation of the slave SMBus interface is unaffected by an Upstream Secondary Bus Reset. Using the slave SMBus to access a register that is reset by an Upstream Secondary Bus Reset causes the register's default value to be returned on a read and written data to be ignored on writes.

Downstream Secondary Bus Reset

A Downstream Secondary Bus Reset may be initiated by the following condition:

- A one is written to the Secondary Bus Reset (SRESET) bit in a downstream port's (i.e., port 0) Bridge Control Register (BCTL).

Notes

When a Downstream Secondary Bus Reset occurs, the following sequence is executed.

1. If the corresponding downstream port's link is up, TS1 ordered sets with the hot reset bit set are transmitted.
2. All TLPs received from corresponding downstream port and queued in the PES24T3G2 are discarded.
3. Wait for software to clear the Secondary Bus Reset (SRESET) bit in the upstream port's Bridge Control Register (BCTL).
4. Normal downstream port operation begins.

The operation of the upstream port is unaffected by a Downstream Secondary Bus Reset. The operation of other downstream ports is unaffected by a Downstream Secondary Bus Reset. During a Downstream Secondary Bus Reset, Type 0 configuration read and write transactions that target the downstream port complete normally. During a Downstream Secondary Bus Reset, all TLPs destined to the secondary side of the downstream port's PCI-to-PCI bridge are treated as unsupported requests. The operation of the slave SMBus interface is unaffected by a Downstream Secondary Bus Reset.

Downstream Port Reset Outputs

Individual downstream port reset outputs (P1RSTN, P2RSTN, P3RSTN, P4RSTN, P5RSTN, P6RSTN, and P7RSTN) are provided as GPIO pin alternate functions. Following a Fundamental Reset, all of the GPIO pins default to GPIO inputs. Therefore, the downstream port resets are tri-stated. A system designer should use a pull-down on these signals if they are used as reset outputs.

The PES24T3G2 ensures through hardware that the minimum PxRSTN assertion pulse width is no less than 200 μ s.

Downstream port reset outputs can be configured to operate in one of two modes. These modes are power enable controlled reset output and power good controlled reset output. The downstream port reset output mode is determined by the Reset Mode (RSTMODE) field in the Hot-Plug Configuration Control (HPCFGCTL) register.

Power Enable Controlled Reset Output

In this mode, a downstream port reset output state is controlled as a side effect of slot power being turned on or off. The operation of this mode is illustrated in Figure 2.3. A downstream port's slot power is controlled by the Power Controller Control (PCC) bit in the PCI Express Slot Control (PCIESCTL) register

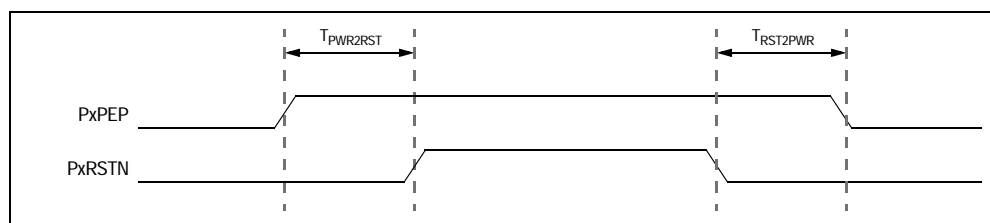


Figure 2.3 Power Enable Controlled Reset Output Mode Operation

While slot power is disabled, the corresponding downstream port reset output is asserted. When slot power is enabled by writing a zero to the PCC bit, the Port x Power Enable Output (PxPEP) is asserted and then power to the slot is enabled and the corresponding downstream port reset output is negated. The time between the assertion of the PxPEP signal and the negation of the PxRSTN signal is controlled by the value in the Slot Power to Reset Negation (PWR2RST) field in the HPCFGCTL register.

While slot power is enabled, the corresponding downstream port reset output is negated. When slot power is disabled by writing a one to the PCC bit, the corresponding downstream port reset output is asserted and then slot power is disabled. The time between the assertion of the PxRSTN signal and the negation of the PxPEP signal is controlled by the value in the Reset Negation to Slot Power (RST2PWR) field in the HPCFGCTL register.

Notes

Power Good Controlled Reset Output

As in the Power Enable Controlled Reset mode, in this mode a downstream port reset output state is controlled as a side effect of slot power being turned on or off. However, the timing in this mode depends on the power good state of the slot's power supply. The operation of this mode is illustrated in Figure 2.4.

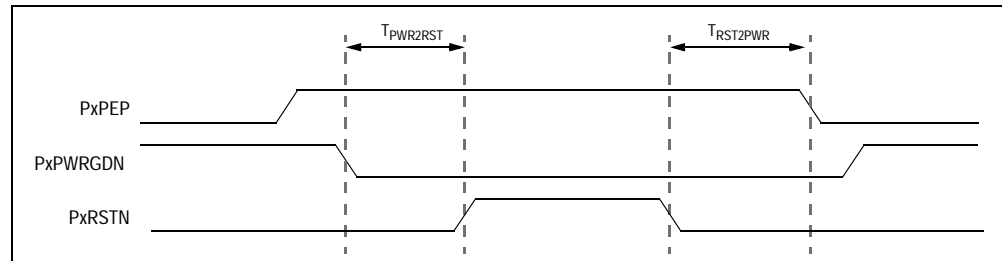


Figure 2.4 Power Good Controlled Reset Output Mode Operation

The operation of this mode is similar to that of the Power Enable Controlled Reset mode except that when power is enabled, the negation of the corresponding port reset output occurs as a result of and after assertion of the slot's Power Good (PxPWRGDN) signal is observed. The time between the assertion of the PxPWRGDN signal and the negation of the PxRSTN signal is controlled by the value in the Slot Power to Reset Negation (PWR2RST) field in the HPCFGCTL register.

When slot power is disabled by writing a one to the PCC bit, the corresponding downstream port reset output is asserted and then slot power is disabled. The time between the assertion of the PxRSTN signal and the negation of the PxPEP signal is controlled by the value in the Reset Negation to Slot Power (RST2PWR) field in the HPCFGCTL register.

If at any point while a downstream port is not being reset (i.e., PxRSTN is negated) a power fault is detected (i.e., PxPWRGDN is negated), then the corresponding port reset output is immediately asserted. Since the PxPWRGDN signal is an I/O expander input, it may not be possible to meet a profile's power level invalid to reset asserted timing specification (i.e., PxPWRGDN to PxRSTN). Systems that require a shorter time interval may implement this functionality external to the PES24T3G2.



Link Operation

Notes

Introduction

Link operation in the PES24T3G2 adheres to the PCI Express 2.0 Base Specification, supporting speeds of 2.5 Gbps and 5.0 Gbps. The PES24T3G2 contains three x8 ports. The default link width of each port is x8 and the SerDes lanes are statically assigned to a port. A full link retrain is defined as retraining of a link that transitions through the Detect LTSSM state.

Polarity Inversion

Each port of the PES24T3G2 supports automatic polarity inversion as required by the PCIe specification. Polarity inversion is a function of the receiver and not the transmitter. The transmitter never inverts its data. During link training, the receiver examines symbols 6 through 15 of the TS1 and TS2 ordered sets for inversion of the PExAP[n] and PExAN[n] signals. If an inversion is detected, then logic for the receiving lane automatically inverts received data. Polarity inversion is a lane and not a link function. Therefore, it is possible for some lanes of link to be inverted and for others to not be inverted.

Lane Reversal

The PCIe specification describes an optional lane reversal feature. The PES24T3G2 offers limited support for the automatic lane reversal feature outlined in the PCIe specification. Lane reversal mapping for the configuration supported by the PES24T3G2 is illustrated in Figure 3.1.

Notes

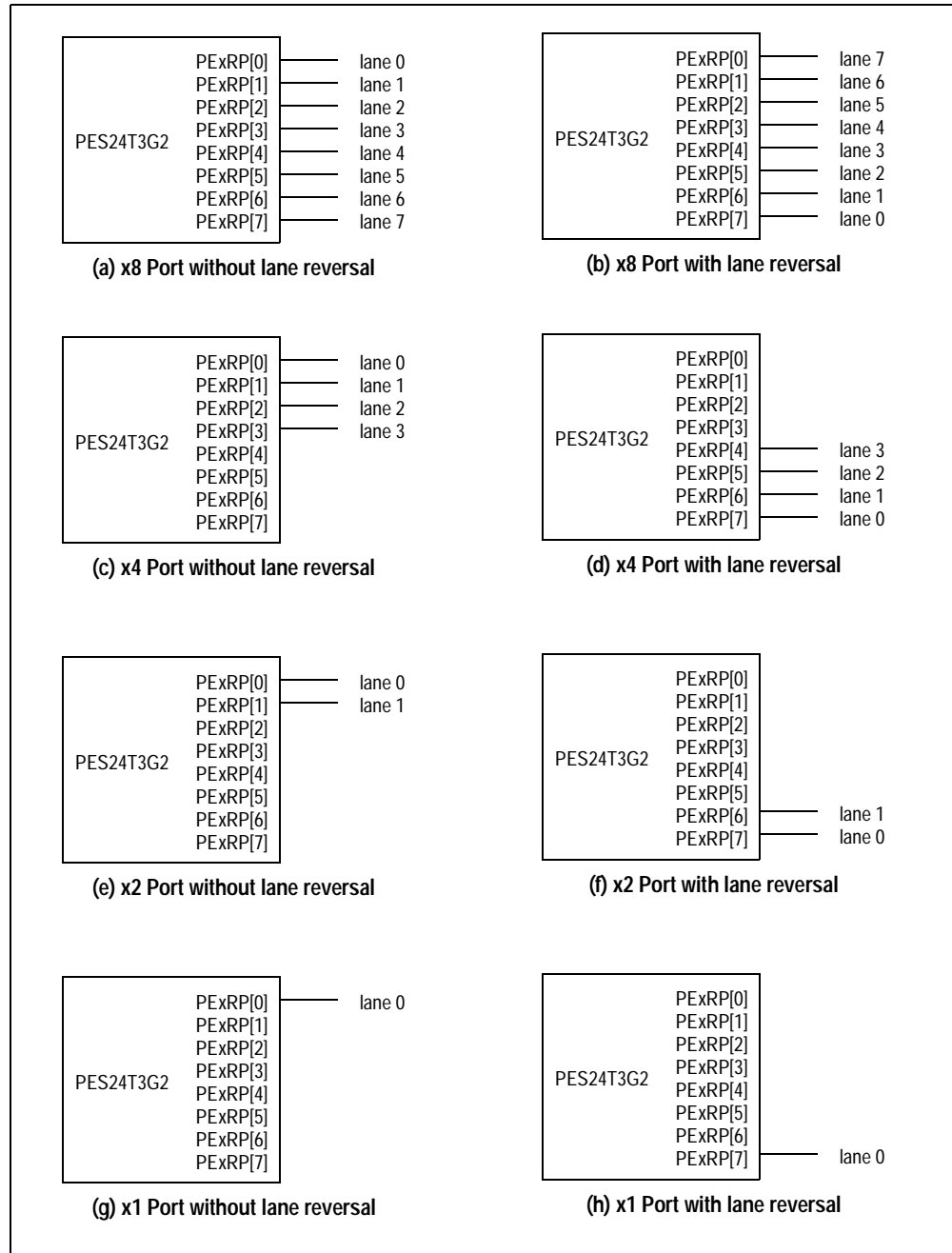


Figure 3.1 Merged Port Lane Reversal

Link Width Negotiation

The PES24T3G2 supports the optional link variable width negotiation feature outlined in the PCIe 2.0 specification. The actual link width is determined dynamically during link training. Ports limited to a maximum link width of x8 are capable of negotiating to a x8, x4, x2, or x1 link width.

The current negotiated width of a link may be determined from the Negotiated Link Width (NLW) field in the corresponding port's PCIe Link Status (PCIELSTS) register.

Notes

The Maximum Link Width (MAXLNKWDTH) field in a port's PCI Express Link Capabilities (PCIELCAP) register contains the maximum link width of the port. This field is of RWL type and may be modified when the REGUNLOCK bit is set in the SWCTL register. Modification of this field allows the maximum link width of the port to be configured. The new link width takes effect the next time full link training occurs.

To force a link width to a smaller width than the default value, the MAXLNKWDTH field could be configured through Serial EEPROM initialization and full link retraining forced by setting the Full Link Retrain (FLRET) bit in the PHYSTATE0 register. The value programmed into the MAXLNKWDTH field should not exceed the port's width (x4 for the PES24T3G2). When the MAXLNKWDTH field of a port's PCIELCAP register is configured to a value higher than the port's supported link width, the port operates at its default link width (i.e., default value of MAXLNKWDTH). For example, a port which is initially set to x4 Gen2 must not have the value of the MAXLNKWDTH programmed to x8. If the MAXLNKWDTH field were to be incorrectly programmed to x8, the port would operate at x4.

When a port is disabled, all SerDes lanes associated with that port are turned off. Unused lanes associated with a x4 port are put into a low power state. When only four lanes associated with a x8 port are used, the upper four lanes are turned off. When fewer than four lanes associated with a x8 port are used, the upper four lanes are turned off and the unused lower lanes are put into a low power state.

Dynamic Link Width Reconfiguration

The PCI Express 2.0 specification includes support for dynamic upconfiguration of link widths. This optional capability allows both components of a link to dynamically downconfigure and upconfigure links based on implementation specific criteria such as power savings, link bandwidth requirements, or link reliability problems. As an example, a link that initially does a full link train to x4 may be dynamically downconfigured to x1 in order to save power when there is little traffic on the link. As traffic increases, the link may be dynamically upconfigured to its initial link width of x4. Also, the link width may be downconfigured if a particular lane is determined to be unreliable.

With dynamic link width upconfiguration, the system designer can choose to connect components with enough lanes to handle worst case bandwidth requirements, yet not waste power when the link is not fully utilized. This capability offers an additional mechanism for link power reduction on top of the traditional ASPM link states (L0s, L1, etc.).

Dynamic upconfiguration and downconfiguration is done on a per-link basis, and does not result in the link going into a DL_Down state. A link can be upconfigured up to the negotiated link width set after a full link train. For example, a link that trained to a width of x2 after a full link train cannot be upconfigured to a width above x2. A link can be downconfigured down to x1. When a link is downconfigured to a smaller width, inactive lanes are kept in Electrical Idle with their receiver terminations enabled. These lanes continue to be associated with the downconfigured port's LTSSM.

In order for upconfiguration to occur successfully, both of the link components must support it. Furthermore, the PCIe specification recommends that a link component not initiate downconfiguration unless the link partner supports link upconfiguration, except for link reliability reasons. The capability to upconfigure a link is transmitted among components using the in-band TS2 ordered set.

When downconfiguration or upconfiguration of a link occurs, one of the components on the link initiates the process, while the other component responds to the process. The PCIe specification indicates that both of these capabilities are optional. Software may be notified of link width re-configuration via the link bandwidth notification mechanism described in the PCIe 2.0 specification. This mechanism is enabled by setting the Link Bandwidth Management Interrupt Enable (LBWINTEN) bit in the PCIELCTL register of switch downstream ports.

Dynamic Link Width Reconfiguration Support in the PES24T3G2

The PES24T3G2 supports dynamic link width upconfiguration and downconfiguration in response to link partner requests.

Notes

The PES24T3G2 does not initiate autonomous link width upconfiguration and downconfiguration of links, except for downconfiguration due to link reliability reasons. Therefore, the Hardware Autonomous Width Disable (HAWD) bit in the port's PCIELCTL register has no effect and is hardwired to 0x0. Additionally, the PES24T3G2 port's never set the 'Autonomous Change' bit in the training sets exchanged with the link partner during link training. A Downstream port link partner may autonomously change link width. When this occurs, the PES24T3G2 downstream port sets the Link Autonomous Bandwidth Status (LABWSTS) bit in the PCIELSTS register.

Link Speed Negotiation

The PCIe 2.0 specification introduces support for 5.0 Gbps data rates per lane (Gen2), in addition to the 2.5 Gbps data rates (Gen1) mandated in previous versions of the specification. Per the PCIe 2.0 specification, all lanes of a link must operate at the same data rate. During full link training, links initially operate at 2.5 Gbps. Once the LTSSM on both components of the link reaches the L0 state, the link speed may be upgraded to 5.0 Gbps if this capability is advertised and desired by both components. The process of upgrading the link speed does not result in a DL_Down state.

It is the responsibility of the upstream component of the link (i.e., switch downstream ports) to keep the link at the target link speed or at the highest common speed supported by both components of the link. In addition, either link component may request a link speed change due to software requests or link reliability reasons (i.e., speed downgrade). Downstream components are further permitted to request link speed changes due to autonomous hardware initiated mechanisms.

A component must only initiate a link speed change when it knows that its link partner supports the target speed via prior exchange of Training Sets. As stated before, Gen2 support is optional while Gen1 support is mandatory. Also, a component may advertise supported link speeds via the Recovery state, without necessarily changing the link speed.

If neither component in the link advertises support for Gen2, then the link remains operating in Gen1 speed. If one of the components decides to advertise support for Gen2 (i.e., software sets the Target link Speed = Gen2), then this component will advertise its support for Gen2 speed via the Recovery state. The link will continue to operate in Gen1 speed since only one of the components has advertised support for the higher speed. If one component has advertised support for Gen1 and Gen2, and the other has advertised support for Gen1 only, then the link will remain operating in Gen1 speed until the lesser-speed component decides to:

- Advertise support for Gen2 via the Recovery state without modifying the link speed. The link remains operating at Gen1 speed.
- Transition the link speed to Gen2 via the Recovery.Speed state. The link will operate at Gen2 speed. In this case, the advertisement of Gen2 speed by both components is done implicitly in the Recovery substates entered while modifying the link speed.

Link Speed Negotiation in the PES24T3G2

The PES24T3G2 ports support per lane data rates of 5.0 Gbps and 2.5 Gbps. The highest data rate of each link is determined dynamically, and depends on the following factors:

- Maximum link data rate supported by both components of the link
- The Target Link Speed set via the Link Control 2 Register (PCIELCTL2)
- The Hardware Autonomous Speed Disable (HASD) bit in the PCIELCTL2 register
- The reliability of the link at 5.0 Gbps

By default, the Target Link Speed (TLS) of each port is set to 5.0 Gbps. Therefore, the PES24T3G2 ports advertise support for 5.0 Gbps during the link training process via training-sets. After a fundamental reset, each port link trains to the L0 state at 2.5 Gbps. If the Target Link Speed indicates 5.0 Gbps (default value), the PHY LTSSM automatically initiates link speed upgrade to 5.0 Gbps using the link speed change mechanism described in the PCIe 2.0 specification. This occurs regardless of the setting of the Hardware Autonomous Speed Disable (HASD) bit in the PCIELCTL2 register.¹

Notes

Note that in this case the Link Bandwidth Management Status (LBWSTS) bit in the PCIELSTS register of the downstream port is not set, since the initial link speed upgrade was not caused by a software directed link retrain or by link reliability issues. The same behavior applies after full link retrain (i.e., when the LTSSM transitions through the 'Detect' state). The current link speed of each port is reported via the Current Link Speed (CLS) field of the port's Link Status Register (PCIELSTS).

When a link speed upgrade operation fails, the PHY LTSSM reverts back to the speed before the upgrade (i.e., 2.5 Gbps) and does not autonomously initiate a subsequent link speed upgrade. The PHY continues to respond to link partner requests for link speed upgrade or to link speed upgrades triggered by the software setting the Link Retrain (LRET) bit in the PCIELCTL register.

The PES24T3G2 ports do not autonomously change speed. As a result, the PES24T3G2 ports never set the 'Autonomous Change' bit in the training sets exchanged with the link partner during link training. Still, a link partner connected to a PES24T3G2 downstream port may autonomously change link speed. When this occurs, the PES24T3G2 downstream port sets the Link Autonomous Bandwidth Status (LABWSTS) bit in the PCIELSTS register. A system designer may limit the maximum speed at which each port operates by changing the target link speed via software or EEPROM and forcing link retraining. Refer to section Software Management of Link Speed below for further details.

Software Management of Link Speed

Software can interact with the link control and status registers of each port to set the link speed and receive notification of link speed changes. This gives software the capability to choose the desired link speed based on system specific criteria. For example, depending on the traffic load expected on a link, software can choose to downgrade link speed to 2.5 Gbps in order to reduce power on a low-traffic link and later upgrade the link to 5.0 Gbps when the bandwidth is required. Software may also choose to change the link speed due to link reliability reasons (i.e., a link that has reliability problems at 5.0 Gbps may be downgraded to 2.5 Gbps).

As mentioned above, the Target Link Speed (TLS) field of the Link Control 2 Register (PCIELCTL2) sets the preferred link speed. By default, the Target Link Speed of each port is set to 5.0 Gbps.

In order to change link speed, software must write to the TLS field of the port's PCIELCTL2 register and subsequently force a link retrain by writing to the Link Retrain (LRET) bit of the Link Control (PCIELCTL) register. Software is notified of link speed changes via the link bandwidth notification mechanism described in the PCIe specification. This mechanism is enabled by setting the Link Bandwidth Management Interrupt Enable (LBWINTEN) bit in the PCIELCTL register of switch downstream ports.

When the link speed is changed (i.e., due to reliability reasons or by virtue of software setting the TLS field and retraining the link), the downstream port's LTSSM sets the Link Bandwidth Management Status (LBWSTS) bit in the PCIELSTS register. Software can verify the link speed by reading the Current Link Speed (CLS) field of the port's Link Status Register (PCIELSTS). Note that to force link speed to a value other than the default value, the TLS field could be configured through Serial EEPROM initialization and full link retraining forced. Finally, note that the Hardware Autonomous Speed Disable (HASD) bit has no effect on link speed changes triggered by modifications of the TLS field followed by setting the LRET bit.

Link Reliability

An unreliable link is a link that exhibits recurrent errors detected in the physical layer. These errors include bit-flipping due to electrical problems, SerDes transmitter and receiver problems, lack of synchronization between transmitter and receiver, etc. All of these usually result in LCRC failures at the data-link layer. In severe cases, link reliability problems cause the link to be automatically retrained (refer to section Link Retraining on page 3-7). As the link speed increases (i.e., Gen2 in PCI Express 2.0), the link is more susceptible to link errors due to tighter margins in the data window.

¹ Initial link speed upgrade is not considered an autonomous link speed upgrade, since it is caused by the default setting of the Target Link Speed field in the PCIELCTL2 register.

Notes

Software may assess the reliability of the link using the PCIe Advanced Error Reporting (AER) structure or other means offered by the switch or its link partners. In response to an unreliable link, software can manage the link speed and link width in order to improve the reliability of the link. For additional information, refer to section Software Management of Link Speed on page 3-5.

Autonomous Link Reliability Management

As mentioned above, an unreliable link exhibits recurrent errors. When the rate of errors is very high, the LTSSM will likely be unable to communicate with the link partner and automatically revert to the lowest possible link speed (i.e., 2.5 Gbps). The mechanism to detect severe link errors and downgrade speed is part of the PCIe 2.0 specification.

However, if the rate of link errors is low enough to keep the LTSSM operating in Gen2 mode, but high enough that it adversely affects link bandwidth or compromises link stability (i.e., by constantly retraining the link through the Recovery state), none of the mechanisms in the PCIe 2.0 specification can detect and react appropriately.

As an example, a bit error rate of 1.0E-6 in Gen2 mode (i.e., 1 error every 200 usec) may result in a large number of TLP replays on the link, which impact link bandwidth and potentially result in link retrain events that move the link repeatedly through the Recovery state. A large number of link retrains not only make the link bandwidth unpredictable, but can potentially bring the link down, resulting in system instability.

In order to address this, a mechanism is desired that monitors link errors such that when they reach a programmable rate (i.e., 1.0E-6 as the example above), the mechanism is capable of autonomously downgrading link speed, potentially enhancing link and bandwidth stability. The Autonomous Link Reliability Management logic in the PES24T3G2 is such a mechanism. Each PES24T3G2 port has the capability to autonomously detect link unreliability and react by downgrading the link speed to 2.5 Gbps.

This capability is enabled by setting the Enable (EN) bit of the Autonomous Link Reliability Control register (ALRCTL). Once enabled, it remains enabled until the user clears the EN bit. By default, the ALR mechanism is disabled. When enabled, the Autonomous Link Reliability logic monitors the rate of errors in the link. When the rate of errors crosses an specified threshold, the Phy's LTSSM downgrades the link speed to 2.5 Gbps, removes support for 5.0 Gbps from its advertised data rate in training sets, and remains in this downgraded data rate until the link fully retrains or the Link Retrain (LRET) field of the PCI Express Link Control (PCIELCTL) register is set, when the target link speed is 5.0 Gbps.

The Autonomous Link Reliability Management logic is capable of monitoring two types of link error conditions: individual bit errors (i.e., LCRC errors) or link state errors (i.e., Phy LTSSM transitions through the Recovery state). Only one of these type of errors may be monitored at a time. The type of error monitored is selected by programming the Link Error Type (LET) field in the ALRCTL register. A user who wishes to count all LCRC errors (which don't necessarily result in link retraining) can program the LET field appropriately. A user who wishes to count link retraining events caused by link errors can program the LET field to LTSSM Recovery transitions.¹

As mentioned above, when the rate of errors crosses an specified threshold, the Phy's LTSSM downgrades the link speed. The threshold is programmed via the Autonomous Link Reliability Error Rate Threshold (ALRERT) register. This register contains two fields: Error Threshold (ERRT) and Monitoring Period (PERIOD). The PERIOD field is programmed in units of micro-seconds. The Autonomous Link Reliability logic determines that a link is unreliable when it detects ERRT errors in PERIOD time. When this occurs, the LTSSM downgrades the link speed to 2.5 Gbps² and sets the Unreliable Link Detected (ULD) bit in the ALRSTS register³. Additionally, the LTSSM sets the Link Bandwidth Management Status (LBWSTS) bit in the PCI Express Link Status (PCIELSTS) register.⁴

¹ Note that it is only possible to count link errors that cause the PES24T3G2 port to initiate a link transition to Recovery. Link errors which cause the link partner to initiate entry into the Recovery state are not counted.

² This requires that the PHY LTSSM change its advertisement of supported link speeds to 2.5 Gbps only.

³ The ULD bit is a status bit set by hardware. Once set, it will remain set until cleared by software. Hardware never clears the ULD bit.

Notes

Once the link speed is downgraded, the link speed will remain at 2.5 Gbps until the link fully retrains (i.e., the PHY LTSSM transitions through the Detect state) or the LRET bit is set in the PCIELCTL register, with a target link speed of 5.0 Gbps. If the link partner requests to upgrade the link speed (i.e., via the Recovery state), the PHY LTSSM enters the Recovery state but the link speed remains at 2.5 Gbps.

The user may determine the current error number and monitoring period counts by reading the Error Number Count (ENCNT) and Monitoring Period Count (MPCNT) fields in the Autonomous Link Reliability Count (ALRCNT) register¹. The MPCNT value is in units of micro-seconds. When the monitoring period count (MPCNT) reaches the monitoring period (PERIOD field in the ALRERT register), hardware resets the ENCNT and MPCNT fields to their initial value and re-starts both counts. These counts are also reset when a full-link retrain occurs or when the LRET bit in the PCIELCTL register is set.

When a link is determined to be unreliable (i.e., ULD bit set in the ALRSTS register), the error number count and monitor period counts stop (ENCNT and MPCNT fields are not reset and keep their value unchanged). The user may read these fields to determine the error count and the monitoring period count at which the link was determined to be unreliable.² To re-enable the mechanism, the user must clear the enable bit (EN) in the ALRCTL register, then clear the ULD bit in the ALRSTS register, and then set the EN bit again.

The Autonomous Link Reliability mechanism is not affected by the state of the Hardware Autonomous Speed Disable (HASD) bit in the PCI Express Link Control 2 (PCIELCTL2) register, since this bit does not apply to speed changes caused by link reliability issues. Additionally, note that when the link speed is downgraded by the ALR mechanism, the Link Bandwidth Management Status (LBWSTS) bit is set in the PCI Express Link Status (PCIELSTS) register of downstream ports. This may in turn cause an interrupt to be sent upstream when the Link Bandwidth Management Interrupt Enable (LBWINTEN) bit is set in the PCI Express Link Control (PCIELCTL) register.

Link Retraining

Per the PCIe 2.0 specification, link retraining can be done autonomously in response to link problems (i.e., repeated TLP replay attempts) or as a result of software setting the link retrain (LRET) bit in the PCI Express Link Control (PCIELCTL) register. Writing a one to the Link Retrain (LRET) bit in the upstream port's PCI Express Link Control (PCIELCTL) register when the REGUNLOCK bit is set in the SWCTL register forces the upstream PCIe to retrain. When this occurs the LTSSM transitions directly to the Recovery state.

Writing a one to the Link Retrain (LRET) bit in a downstream port's PCI Express Link Control (PCIELCTL) register regardless of the REGUNLOCK bit state in the SWCTL register forces the downstream PCIe link to retrain. When this occurs, the LTSSM transitions directly to the Recovery state. Writing a one to the Full Link Retrain (FLRET) bit in the Phy Link State 0 (PHYLSTSE 0) register of any port forces that port's PCIe link to retrain. When this occurs, the LTSSM transitions directly to the Detect state.

Link retraining does not result in the link going down, unless the LTSSM transitions through the Detect state in its retraining attempt. The speed of the link is not necessarily changed as a result of link retraining. A link that operates at 5.0 Gbps will continue to operate at that speed if the link retraining attempt is successful at that speed. Otherwise, the link speed is changed to 2.5 Gbps.

When link retraining results in the speed of the link being downgraded from 5.0 Gbps to 2.5 Gbps, the Link Bandwidth Management Status (LBWSTS) bit is set in the PCI Express Link Status (PCIELSTS) register (for downstream ports only). Also, the PHY LTSSM remains at the downgraded speed until the link partner requests a link speed upgrade³, software sets the LRET bit in the PCIELCTL register, or the link is fully retained via the FLRET bit in the PHYLSTATE0 register. Refer to section Link Speed Negotiation in the

⁴ Note that per the PCIe 2.0 specification, the LBWSTS bit is not set if the link transitions through the DL_Down state.

¹ Note that these counts are active even when the ALR mechanism is disabled. A user may read these counts to monitor link reliability, without enabling the ALR mechanism to reduce link speed. Finally, note that the ALR mechanism must be enabled in order for the ULD bit to get set.

² When a link is determined to be unreliable, the error count (ENCNT) field will match the value of the error threshold (ERRT).

Notes

PES24T3G2 on page 3-4. When the speed of the link is downgraded as a result of link retraining, the PHY LTSSM remains at the downgraded speed until the link partner requests a link speed upgrade or software sets the Link Retrain (LRET) bit in the PCIELCTL register.

Link Down

When a link goes down, all TLPs received by that port and queued in the switch are discarded and all TLPs received by other ports and destined to the port whose link is down are treated as Unsupported Requests (UR). While a downstream link is down, it is possible to perform configuration read and write operations to the PCI-PCI bridge associated with that link. When a link comes up, flow control credits for the configured size of the IFB queues are advertised. A link down condition on a downstream port's link may cause the Surprise Down Error Status (SDOENERR) bit to be set in the port's AER Uncorrectable Error Status (AERUES) register. The conditions under which surprise down is reported are described in Section 3.2.1 of the PCIe 2.0 Specification.

Slot Power Limit Support

The Set_Slot_Power_Limit message is used to convey a slot power limit value from a downstream switch port or root port to the upstream port of a connected device or switch.

Upstream Port

When a Set_Slot_Power_Limit message is received by the upstream switch port, then the fields in the message are written to the PCI Express Device Capabilities (PCIEDCAP) register of that port:

- Byte 0 bits 7:0 of the message payload are written to the Captured Slot Power Limit Scale (CSPLS) field.
- Byte 1 bits 1:0 of the message payload are written to the Captured Slot Power Limit Value (CSPLV) field.

Downstream Port

A Set_Slot_Power_Limit message is sent by downstream switch ports when either of the following events occur:

- A configuration write is performed to the corresponding PCI ESCAP register when the link associated with the downstream port is up.
- A link associated with the downstream port transitions from a non-operational state to an operational (i.e., up) state.

Link States

The PES24T3G2 supports the following link states

- L0
 - Fully operational link state
- L0s
 - Automatically entered low power state with shortest exit latency
- L1
 - Lower power state than L0s
 - May be automatically entered or directed by software by placing the device in the D3_{hot} state
- L2/L3 Ready
 - The L2/L3 state is entered after the acknowledgement of a PM_Turn_Off Message.
 - There is no TLP or DLLP communications over a link in this state.
- L3
 - Link is completely unpowered and off
- Link Down

³ If enabled, the Autonomous Link Reliability mechanism described in section 8.7.1 may keep the link speed at 2.5 Gbps in spite of link partner requests to upgrade the link speed.

Notes

- A transitional link down pseudo-state prior to L0. This pseudo-state is associated with the LTSSM Detect, Polling, Configuration, Disabled, Loopback and Hot-Reset states.

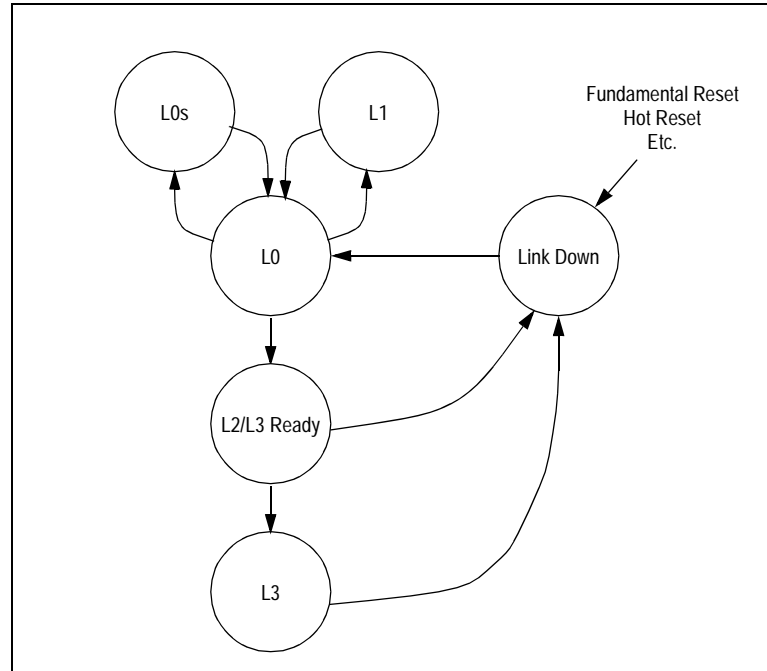


Figure 3.2 PES24T3G2 ASPM Link State Transitions

Active State Power Management

The operation of Active State Power Management (ASPM) is orthogonal to power management. Once enabled by the ASPM field in the PCI Express Link Control (PCIELCTL) register, ASPM link state transitions are initiated by hardware without software involvement. The PES24T3G2 ASPM supports the required L0s state as well as the optional L1 state. The L0s Entry Timer (LOET) field in the PCI Power Management Proprietary Control (PMPC) register controls the amount of time L0s entry conditions must be met before the hardware transitions the link to the L0s state.

The upstream switch port has the following L0s entry conditions.

- The receive lanes of all of the switch downstream ports which are not in a low power state (i.e., D3) and whose link is not down are in the L0s state.
- The switch has no TLPs to transmit on the upstream port or there are no available flow control credits to transmit a TLP.
- There are no DLLPs pending for transmission on the upstream port.

The downstream switch ports have the following L0s entry conditions.

- The receive lanes of the switch upstream port are in the L0s state.
- The switch has no TLPs to transmit on the downstream port or there are no available flow control credits to transmit a TLP.
- There are no DLLPs pending for transmission on the downstream port.

The L1 Entry Timer (L1ET) field in the PCI Power Management Proprietary Control (PMPC) register controls the amount of time L1 entry conditions must be met before the hardware transitions the link to the L1 state. If these conditions are met and the link is in the L0 or L0s state, the hardware will request a transition to the L1 state from its link partner. Note that L1 entry requests are only made by the PES24T3G2 upstream port. If the link partner acknowledges the transition, the L1 state is entered. Otherwise, the L0s state is entered. Note that the upstream switch port will only request entry into the L1 state when all of the downstream ports which are not in a low power state (i.e., D3) and whose link is not down are in the L1 state.

Notes

Link Status

Associated with each port is a Port Link Up (PxLINKUPN) status output and a Port Activity (PxACTIVEN) status output. These outputs are provided on I/O expander 4. See section I/O Expanders on page 5-7 for the operation of the I/O expander and the mapping of these status outputs to I/O expander pins.

The PxLINKUPN and PxACTIVEN status outputs may be used to provide a visual indication of system state and activity or for debug. The PxLINKUPN output is asserted when the PCIe data link layer is up (i.e., when the LTSSM is in the L0, L0s, L1, or recovery states). When the data link layer is down, this output is negated. The PxACTIVEN output is asserted whenever any TLP, other than a vendor defined message, is transmitted or received on the corresponding port's link. Whenever a PxACTIVEN output is asserted, it remains asserted for at least 200 ms. Since an I/O expander output may change no more frequently than once every 40 ms, this translates into five I/O expander update periods.

De-emphasis Negotiation

The PCI Express 2.0 specification requires that components support the following levels of de-emphasis, depending on the link data rate:

- 2.5 Gbps (Gen1): De-emphasis = -3.5dB
- 5.0 Gbps (Gen2): De-emphasis = -3.5dB or -6.0dB

When operating at 5.0 Gbps, the de-emphasis is selected by programming the Selectable De-emphasis (SDE) field in the PCI Link Control 2 Register (PCIELCTL2). The chosen de-emphasis for the link is the result of a negotiation between the components of the link. Both components must operate with the same de-emphasis across all lanes of the link. During normal operation (i.e., not polling/compliance), de-emphasis selection is done during the Recovery state. The downstream component of the link (i.e., switch upstream port or endpoint) advertises its desired de-emphasis by transmission of training sets. The upstream component of the link (i.e., switch downstream port or root-complex port) notes its link partner desired de-emphasis and makes a decision about the de-emphasis to be used in the link.

The PES24T3G2's upstream port PHY advertises its desired de-emphasis based on the setting of the port's SDE field in the PCIELCTL2 register. The upstream PHY always accepts the link-partners decision on the de-emphasis to be used in the link. The PES24T3G2's downstream ports ignore the link partner's desired de-emphasis and always choose the de-emphasis setting in the SDE field of the port's PCIELCTL2 register.

Low-Swing Transmitter Voltage Mode

The PES24T3G2 ports support the optional low-swing transmit voltage mode defined in the PCIe 2.0 specification. In this mode, the transmitter's voltage level is set to approximately half the value of the full-swing (default) mode. This reduces power consumption in the SerDes. This mode is enabled by setting the Low-Swing Enable (LSE) bit in the port's SerDes Control (SERDESCTL) register.

When Low-Swing mode is enabled, the transmitter drive level is reduced and de-emphasis is automatically turned off. Therefore, the Selectable De-emphasis (SDE) and Compliance De-emphasis (CDE) fields in the PCIELCTL2 register have no effect. In addition, the Current De-emphasis (CDE) field in the PCIELSTS2 register becomes invalid.

Crosslink

The PES24T3G2 ports support the optional crosslink capability specified in PCI Express 2.0. Per this specification, a crosslink is established between two downstream ports or two upstream ports. Crosslink is enabled when the Crosslink Disable (CLINKDIS) bit in the Phy Link Configuration (PHYLCFG) register is set to 0x0. The initial value of this field is 0x1 in all switch modes except SWMODE[2:0]=0x4 "Normal switch mode with crosslink enabled (factory use only)." The user may also clear this bit with a configuration write.



General Purpose I/O

Notes

Introduction

The PES24T3G2 has 8 General Purpose I/O (GPIO) pins that may be individually configured as: general purpose inputs, general purpose outputs, or alternate functions. GPIO pins are controlled by the General Purpose I/O Function (GPIOFUNC), General Purpose I/O Configuration (GPIOCFG), and General Purpose I/O Data (GPIOD) registers in the upstream port's PCI configuration space. As shown in Table 4.1, 6 GPIO pins are shared with other on-chip functions. The GPIO Function (GPIOFUNC) register controls whether a GPIO bit operates as a general purpose I/O or as the specified alternate function.

GPIO Pin	Alternate Function Pin Name	Alternate Function Description	Alternate Function Pin Type
0	PE2RSTN	Reset output for downstream port 2	Output
1	PE4RSTN	Reset output for downstream port 4	Output
2	IOEXPINTN0	SMBus I/O expander interrupt 0	Input
3	IOEXPINTN1	SMBus I/O expander interrupt 1	Input
4	IOEXPINTN2	SMBus I/O expander interrupt 2	Input
7	GPEN	General purpose event output	Output

Table 4.1 General Purpose I/O Pin Alternate Function

After reset, all GPIO pins default to the GPIO input function. GPIO pins configured as GPIO inputs are sampled no more frequently than once every 128 ns and may be treated as asynchronous inputs. When a GPIO pin is configured to use the GPIO function, the unneeded alternate function associated with the pin is held in an inactive state by internal logic. Care should be exercised when configuring the GPIO pins as outputs since an incorrect configuration could cause damage to external components as well as the PES24T3G2.

GPIO Configuration

Associated with each GPIO pin is a bit in the GPIOFUNC, GPIOCFG and GPIOD registers. Table 4.2 summarizes the configuration of GPIO pins.

GPIOFUNC	GPIOCFG	Pin Function
0	0	GPIO input
0	1	GPIO output
1	don't care	Alternate function

Table 4.2 GPIO Pin Configuration

GPIO Pin Configured as an Input

When configured as an input in the GPIOCFG register and as a GPIO function in the GPIOFUNC register, the GPIO pin is sampled and registered in the GPIOD register. The value of the input pin can be determined at any time by reading the GPIOD register. Note that the value in this register corresponds to the value of the pin irrespective of whether the pin is configured as a GPIO input, GPIO output, or alternate function.

Notes

GPIO Pin Configured as an Output

When configured as an output in the GPIOCFG register and as a GPIO function in the GPIOFUNC register, the value in the corresponding bit position of the GPIOD register is driven on the pin. System designers should treat the GPIO outputs as asynchronous outputs. The actual value of the output pin can be determined by reading the GPIOD register.

GPIO Pin Configured as an Alternate Function

When configured as an alternate function in the GPIOFUNC register, the pin behaves as described by the section associated with that function. The value of the alternate function pin can be determined at any time by reading the GPIOD register.



SMBus Interfaces

Notes

Introduction

The PES24T3G2 contains two SMBus interfaces. The slave SMBus interface provides full access to all software visible registers in the PES24T3G2, allowing every register in the device to be read or written by an external SMBus master. The slave SMBus may also be used to initialize the serial EEPROM used for initialization. The Master SMBus interface provides connection for an optional external serial EEPROM used for initialization and optional external I/O expanders.

Six pins make up each of the two SMBus interfaces. These pins consist of an SMBus clock pin, an SMBus data pin, and 4 SMBus address pins.

Note: MSMBADDR and SSMBADDR address pins are not available in the 19mm package. The MSMBADDR address is hardwired to 0x50, and the SSMBADDR address is hardwired to 0x77.

As shown in Figure 5.1, the master and slave SMBuses may be used in a unified or split configuration.

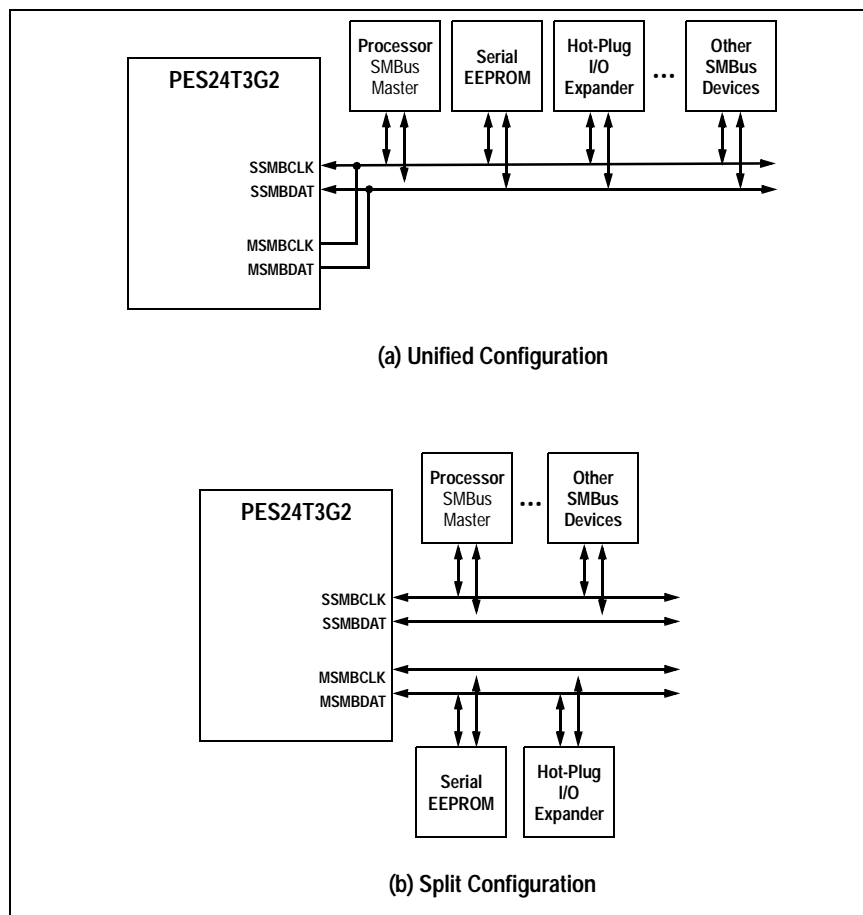


Figure 5.1 SMBus Interface Configuration Examples

In the unified configuration, shown in Figure 5.1(a), the master and slave SMBuses are tied together and the PES24T3G2 acts both as an SMBus master as well as an SMBus slave on this bus. This requires that the external SMBus master or processor that has access to the PES24T3G2 registers support SMBus arbi-

Notes

tration. In some systems, this external SMBus master interface may be implemented using general purpose I/O pins on a processor or microcontroller, and thus may not support SMBus arbitration. To support these systems, the PES24T3G2 may be configured to operate in a split configuration as shown in Figure 5.1(b).

In the split configuration, the master and slave SMBuses operate as two independent buses and thus multi-master arbitration is not required.

Master SMBus Interface

The master SMBus interface is used during a fundamental reset to load configuration values from an optional serial EEPROM. It is also used to support optional I/O expanders used for hot-plug and other status signals.

Initialization

Master SMBus initialization occurs during a fundamental reset (see Fundamental Reset on page 2-2). During a fundamental reset initialization sequence, the state of the Master SMBus Slow Mode (MSMB-SMODE) signal is examined. If this signal is asserted, then the Master SMBus Clock Prescaler (MSMBSCP) field in the SMBus Control (SMBUSCTL) register is initialized to support 100 KHz SMBus operation. If the signal is negated, the MSMBSCP field is initialized for 400 KHz SMBus operation.

Serial EEPROM

During a fundamental or hot reset, an optional serial EEPROM may be used to initialize any software visible register in the device. Serial EEPROM loading occurs if the Switch Mode (SWMODE[2:0]) field selects an operating mode that performs serial EEPROM initialization. The address used by the SMBus interface to access the serial EEPROM is specified by the MSMBADDR[4:1] signals as shown in Table 5.1.

Note: MSMBADDR address pins are not available in the 19mm package. The MSMBADDR address is hardwired to 0x50.

Address Bit	Address Bit Value
1	MSMBADDR[1]
2	MSMBADDR[2]
3	MSMBADDR[3]
4	MSMBADDR[4]
5	1
6	0
7	1

Table 5.1 Serial EEPROM SMBus Address

Device Initialization from a Serial EEPROM

During initialization from the optional serial EEPROM, the master SMBus interface reads configuration blocks from the serial EEPROM and updates corresponding registers in the PES24T3G2. Any PES24T3G2 software visible register in any port may be initialized with values stored in the serial EEPROM. Each software visible register in the PES24T3G2 has a CSR system address which is formed by adding the PCI configuration space offset value of the register to the base address of the configuration space in which the register is located. Configuration blocks stored in the serial EEPROM use this CSR system address shifted right two bits (i.e., configuration blocks in the serial EEPROM use doubleword CSR system addresses and not byte CSR system addresses).

Base addresses for the PCI configuration spaces in the PES24T3G2 are listed in Table 8.1, Base Addresses for Port Configuration Space Register. Since configuration blocks are used to store only the value of those registers that are initialized, a serial EEPROM much smaller than the total size of all of the

Notes

configuration spaces may be used to initialize the device. Any serial EEPROM compatible with those listed in Table 5.2 may be used to store the PES24T3G2 initialization values. Some of these devices are larger than the total size of all of the PCI configuration spaces in the PES24T3G2 that may be initialized and thus may not be fully utilized.

Serial EEPROM	Size
24C32	4 KB
24C64	8 KB
24C128	16 KB
24C256	32 KB
24C512	64 KB

Table 5.2 PES24T3G2 Compatible Serial EEPROMs

During serial EEPROM initialization, the master SMBus interface begins reading bytes starting at serial EEPROM address zero. These bytes are interpreted as configuration blocks and sequential reading of the serial EEPROM continues until the end of a configuration done block is reached or the serial EEPROM address rolls over from 0xFFFF to 0x0.

A blank serial EEPROM contains 0xFF in all data bytes. Therefore, when the PES24T3G2 is configured to initialize from serial EEPROM and the second byte read from the EEPROM is 0xFF, loading of the serial EEPROM is aborted, the computed checksum is ignored, and normal device operation begins (i.e., the device operates in the same manner as though it were not configured to initialize from the serial EEPROM).

- This behavior allows a board manufacturing flow that utilizes uninitialized serial EEPROMs. See section Programming the Serial EEPROM on page 5-6 for information on in-system initialization of the serial EEPROM.

All register initialization performed by the serial EEPROM is performed in double word quantities.

There are three configuration block types that may be stored in the serial EEPROM. The first type is a single double word initialization sequence. A double word initialization sequence occupies six bytes in the serial EEPROM and is used to initialize a single double word quantity in the PES24T3G2. A single double word initialization sequence consists of three fields and its format is shown in Figure 5.2. The CSR_SYSADDR field contains the double word CSR system address of the double word to be initialized. The actual CSR system address, which is a byte address, equals this value with two lower zero bits appended. The next field is the TYPE field that indicates the type of the configuration block. For single double word initialization sequence, this value is always 0x0. The final DATA field contains the double word initialization value.

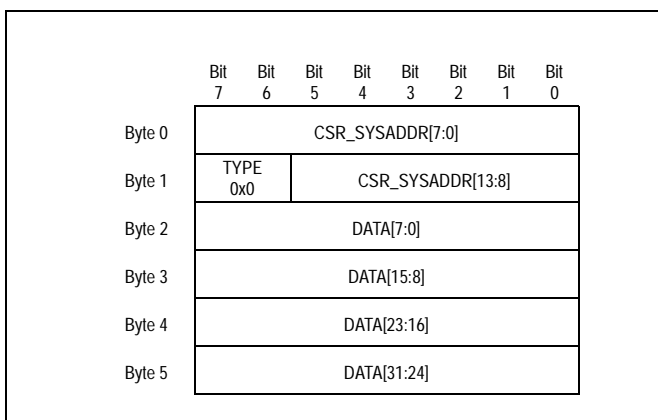


Figure 5.2 Single Double Word Initialization Sequence Format

Notes

The second type of configuration block is the sequential double word initialization sequence. It is similar to a single double word initialization sequence except that it contains a double word count that allows multiple sequential double words to be initialized in one configuration block.

A sequential double word initialization sequence consists of four required fields and one to 65535 double word initialization data fields. The format of a sequential double word initialization sequence is shown in Figure 5.3. The CSR_SYSADDR field contains the starting double word CSR system address to be initialized. The next field is the TYPE field that indicates the type of the configuration block. For sequential double word initialization sequences, this value is always 0x1. The NUMDW field specifies the number of double words initialized by the configuration block. This is followed by the number of DATA fields specified in the NUMDW field.

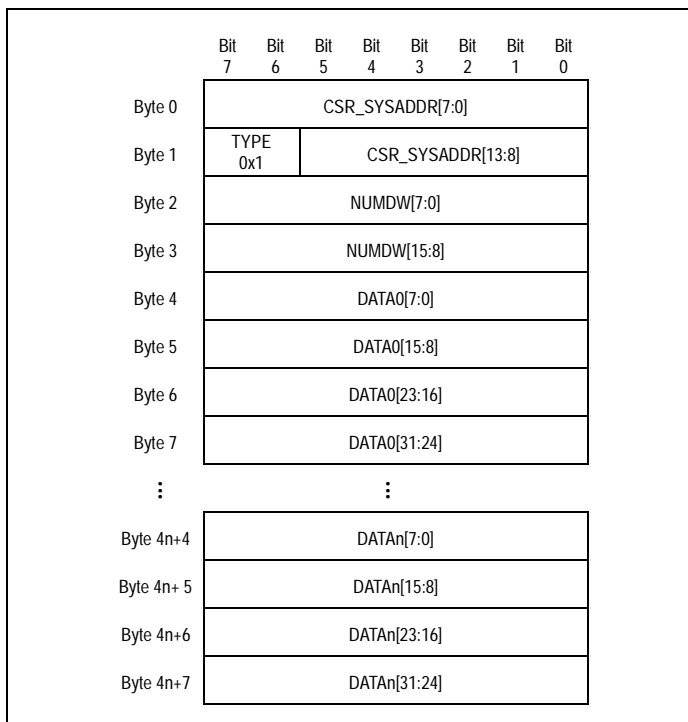


Figure 5.3 Sequential Double Word Initialization Sequence Format

The final type of configuration block is the configuration done sequence which is used to signify the end of a serial EEPROM initialization sequence. If during serial EEPROM initialization, an attempt is made to initialize a register that is not defined in a configuration space (i.e., not defined in **chapter 8!!!**), then the Unmapped Register Initialization Attempt (URIA) bit is set in the SMBUSSTS register and the write is ignored.

The configuration done sequence consists of two fields and its format is shown in Figure 5.4. The CHECKSUM field contains the checksum of all of the bytes in all of the fields read from the serial EEPROM from the first configuration block to the end of this done sequence. The second field is the TYPE field which is always 0x3 for configuration done sequences.

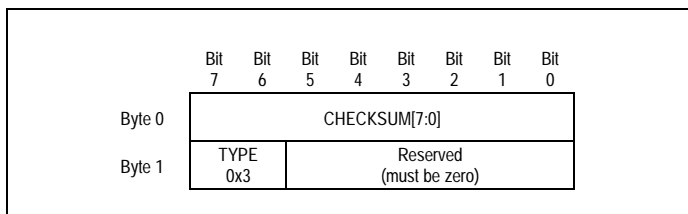


Figure 5.4 Configuration Done Sequence Format

Notes

The checksum in the configuration done sequence enables the integrity of the serial EEPROM initialization to be verified. Since uninitialized EEPROMs typically have a value of all ones, initialization from an uninitialized serial EEPROM will result in a checksum mismatch. The checksum is computed in the following manner. An 8-bit counter is initialized to zero and the 8-bit sum is computed over the configuration bytes stored in the serial EEPROM, including the entire contents of the configuration done sequence, with the checksum field initialized to zero.¹ The 1's complement of this sum is placed in the checksum field.

¹ This includes the byte containing the TYPE field.

Notes

The checksum is verified in the following manner. An 8-bit counter is cleared and the 8-bit sum is computed over the bytes read from the serial EEPROM, including the entire contents of the configuration done sequence.¹ The correct result should always be 0xFF (i.e., all ones). Checksum checking may be disabled by setting the Ignore Checksum Errors (ICHECKSUM) bit in the SMBus Control (SMBUSCTL) register.

If an error is detected during loading of the serial EEPROM, then loading of the serial EEPROM is aborted and the RSTHALT bit is set in the SWCTL register. This allows debugging of the error condition via the slave SMBus interface but prevents normal system operation with a potentially incorrectly initialized device. Error information is recorded in the SMBUSSTS register.

Once serial EEPROM initialization completes, or when an error is detected, the EEPROM Done (EEPROMDONE) bit is set in the SMBus Status (SMBUSSTS) register. A summary of possible errors during serial EEPROM initialization and specific action taken when detected is summarized in Table 5.3.

Error	Action Taken
Configuration Done Sequence checksum mismatch with that computed by the PES24T3G2	- Set RSTHALT bit in SWCTL register - ICSERR bit is set in the SMBUSSTS register - Abort initialization, set DONE bit in the SMBUSSTS register
Invalid configuration block type (only invalid type is 0x2)	- Set RSTHALT bit in SWCTL register - ICSERR bit is set in the SMBUSSTS register - Abort initialization, set DONE bit in the SMBUSSTS register
An unexpected NACK is observed during a master SMBus transaction	- Set RSTHALT bit in SWCTL register - NAERR bit is set in the SMBUSSTS register - Abort initialization, set DONE bit in the SMBUSSTS register
Master SMBus interface loses 16 consecutive arbitration attempts	- Set RSTHALT bit in SWCTL register - LAERR bit is set in the SMBUSSTS register - Abort initialization, set DONE bit in the SMBUSSTS register
A misplaced START or STOP condition is detected by the master SMBus interface	- Set RSTHALT bit in SWCTL register - OTHERERR bit is set in the SMBUSSTS register - Abort initialization, set DONE bit in the SMBUSSTS register

Table 5.3 Serial EEPROM Initialization Errors

Programming the Serial EEPROM

The serial EEPROM may be programmed prior to board assembly or in-system via the slave SMBus interface or a PCIe root. Programming the serial EEPROM via the slave SMBus is described in section Serial EEPROM Read or Write Operation on page 5-15.

A PCIe root may read and write the serial EEPROM by performing configuration read and write transactions to the Serial EEPROM Interface (EEPROMINTF) register. To read a byte from the serial EEPROM, the root should configure the Address (ADDR) field in the EEPROMINTF register with the byte address of the serial EEPROM location to be read and the Operation (OP) field to "read." The Busy (BUSY) bit should then be checked. If the EEPROM is not busy, then the read operation may be initiated by performing a write to the Data (DATA) field. When the serial EEPROM read operation completes, the Done (DONE) bit in the EEPROMINTF register is set and the busy bit is cleared. When this occurs, the DATA field contains the byte data of the value read from the serial EEPROM.

To write a byte to the serial EEPROM, the root should configure the ADDR field with the byte address of the serial EEPROM location to be written and set the OP field to "write." If the serial EEPROM is not busy (i.e., the BUSY bit is cleared), then the write operation may be initiated by writing the value to be written to the DATA field. When the write operation completes, the DONE bit is set and the busy bit is cleared. Initiating a serial EEPROM read or write operation when the BUSY bit is set produces undefined results.

¹ This includes the checksum byte as well as the byte that contains the type and reserved field.

Notes

SMBus errors may occur when accessing the serial EEPROM. If an error occurs, then it is reported in the SMBus Status (SMBUSSTS) register. Software should check for errors before and after each serial EEPROM access.

I/O Expanders

The PES24T3G2 utilizes external SMBus/I²C-bus I/O expanders connected to the master SMBus interface for hot-plug and port status signals. The PES24T3G2 is designed to work with Phillips PCA9555 compatible I/O expanders (i.e., PCA9555, PCA9535, and PCA9539). See the Phillips PCA9555 data sheet for details on the operation of this device. An external SMBus I/O expander provides 16 bit I/O pins that may be configured as inputs or outputs.

The PES24T3G2 supports up to three external I/O expanders. Table 5.4 summarizes the allocation of functions to I/O expanders. I/O expanders zero through three are used to provide hot-plug I/O signals while I/O expander four is used to provide link status and activity LED control. I/O expander signals associated with LED control (i.e., link status and activity) are active low (i.e., driven low when an LED should be turned on). I/O expander signals associated with hot-plug signals are not inverted.

SMBus I/O Expander	Section	Function
0	Lower	Port 2 hot-plug
	Upper	Port 4 hot-plug
2	Lower	Unused
	Upper	Power good inputs
4	Lower	Link status
	Upper	Link activity

Table 5.4 I/O Expander Function Allocation

During the PES24T3G2 initialization process, the SMBus/I²C-bus address allocated to each I/O expander used in that system configuration should be written to the corresponding IO Expander Address (IOE[0,2,4]ADDR) field.

Hot-plug outputs and I/O expanders may be initialized via serial EEPROM. Since the I/O expanders and serial EEPROM both utilize the master SMBus, no I/O expander transactions are initiated until serial EEPROM initialization completes.

- Since no I/O expander transactions are initiated until serial EEPROM initialization completes, it is not possible to toggle a hot-plug output through serial EEPROM initialization (i.e., it is not possible to cause a 0 -> 1 -> 0 transition or a 1 -> 0 -> 1 transition).

Whenever the value of an IOEXPADDR field is written, SMBus write transactions are issued to the corresponding I/O expander by the PES24T3G2 to configure the device. This configuration initializes the direction of each I/O expander signal and sets outputs to their default value. Outputs for ports that are disabled are set to their negated value (e.g., the power indicator is turned off, the link is down, there is no activity, etc.).

The default value of I/O expander outputs is shown in Table 5.5. Note that this default value may be modified via serial EEPROM or SMBus configuration prior to SMBus initialization by changing the state of the PCI Express Slot Control Register (PCIESCTL) or Hot-Plug Configuration Control (HPCFGCTL).

Notes

SMBus I/O Expander Bit	Signal	Description	Default Value
(I/O-x.4)	P2AIN	Attention indicator output (off)	1
(I/O-x.5)	P2PIN	Power indicator output (on)	0
(I/O-x.6)	P2PEP	Power enable output (on)	1
(I/O-x.7)	P2ILOCKP	Electromechanical interlock (negated - off)	0

Table 5.5 I/O Expander Default Output Signal Value

The following I/O expander configuration sequence is issued by the PES24T3G2 to I/O expander zero (which contains the hot-plug signals).

- Write the default value of the outputs bits on the lower eight I/O expander pins (i.e., I/O-0.0 through I/O-0.7) to I/O expander register 2.
- Write the default value of the outputs bits on the upper eight I/O expander pins (i.e., I/O-1.0 through I/O-1.7) to I/O expander register 3.
- write value 0x0 to I/O expander register 4 (no inversion in IO-0)
- write value 0x0 to I/O expander register 5 (no inversion in IO-1)
- Write the configuration value to select inputs/outputs in the lower eight I/O expander bits (i.e., I/O-0.0 through I/O-0.7) to I/O expander register 6.
- Write the configuration value to select inputs/outputs in the upper eight I/O expander bits (i.e., I/O-1.0 through I/O-1.7) to I/O expander register 7.
- Read value of I/O expander register 0 to obtain the current state of the lower eight I/O expander bits (i.e., I/O-0.0 through I/O-0.7)
- Read value of I/O expander register 1 to obtain the current state of the upper eight I/O expander bits (i.e., I/O-1.0 through I/O-1.7)

The following I/O expander configuration sequence is issued by the PES24T3G2 to I/O two (i.e., the one that contain hot-plug signals and power good inputs).

- Write the default value of the outputs bits on the lower eight I/O expander pins (i.e., I/O-0.0 through I/O-0.7) to I/O expander register 2.
- write value 0x0 to I/O expander register 4 (no inversion in IO-0)
- write value 0x0 to I/O expander register 5 (no inversion in IO-1)
- Write the configuration value to select inputs/outputs in the lower eight I/O expander bits (i.e., I/O-0.0 through I/O-0.7) to I/O expander register 6.
- Write the configuration value to select all inputs upper eight I/O expander bits (i.e., I/O-1.0 through I/O-1.7) to I/O expander register 7.
- Read value of I/O expander register 0 to obtain the current state of the lower eight I/O expander bits (i.e., I/O-0.0 through I/O-0.7)
- read value of I/O expander register 1 to obtain the current state of the upper eight I/O expander bits (i.e., I/O-1.0 through I/O-1.7)

Notes

The following I/O expander configuration sequence is issued by the PES24T3G2 to I/O expander four (i.e., the one that contains link up and link activity status).

- Write link up status for all ports to the lower eight I/O expander pins (i.e., I/O-0.0 through I/O-0.7) to I/O expander register 2.
- Write link activity status for all ports to the upper eight I/O expander pins (i.e., I/O-1.0 through I/O-1.7) to I/O expander register 3.
- write value 0x0 to I/O expander register 4 (no inversion in IO-0)
- write value 0x0 to I/O expander register 5 (no inversion in IO-1)
- Write the configuration value to select all outputs in the lower eight I/O expander bits (i.e., I/O-0.0 through I/O-0.7) to I/O expander register 6.
- Write the configuration value to select all outputs in the upper eight I/O expander bits (i.e., I/O-1.0 through I/O-1.7) to I/O expander register 7.

While the I/O expander is enabled, the PES24T3G2 maintains the I/O bus expander signals and the PES24T3G2 internal view of the hot-plug signals in a consistent state. This means that whenever that I/O bus expander state and the PES24T3G2 internal view of the signal state differs, an SMBus transaction is initiated by the PES24T3G2 to resolve the state conflict. An example of an event that may lead to a state conflict is a hot reset. When a hot reset occurs, one or more hot-plug register control fields may be re-initialized to its default value. When this occurs, the internal PES24T3G2 state of the hot-plug signals is in conflict with the state of I/O expander hot-plug output signals. In such a situation, the PES24T3G2 will initiate an SMBus transaction to modify the state of the I/O expander hot-plug outputs

The PES24T3G2 has one combined I/O expander interrupt input, labeled IOEXPINTN0, which is an alternate function of GPIO[2]. Associated with each I/O expander is an open drain interrupt output that is asserted when an I/O expander input pin changes state. The open drain I/O expander interrupt output of all I/O expanders should be tied together on the board and connected to GPIO[2]. Whenever IOEXPINTN0 is asserted, the PES24T3G2 reads the state of all I/O expanders.

For compatibility with legacy Gen. 1 PCIe switches, the PES24T3G2 supports individual I/O expander interrupt inputs (i.e., IOEXPINTN2,0) as GPIO alternate functions. New designs should use the combined I/O expander interrupt input.

In legacy applications, each interrupt output from an I/O expander should be connected to the corresponding PES24T3G2 I/O expander interrupt input. For Legacy Gen 1 switch compatibility, the PES24T3G2 internally logically “ORs” the legacy I/O expander interrupts on GPIO alternate functions and presents a single combined interrupt value to internal logic in the same manner as the external combined I/O expander interrupt input. Therefore, the PES24T3G2 behaves in the same manner in applications that use a single external combined I/O expander interrupt input as it does in applications that use legacy individual I/O expander interrupt inputs. In both cases, the assertion of any I/O expander interrupt results in a status read of all I/O expanders. Since the PES24T3G2 I/O expander interrupt input(s) are GPIO alternate functions, the corresponding GPIO(s) should be initialized during configuration to operate in alternate function mode. See Chapter 4, General Purpose I/O.

Whenever the PES24T3G2 needs to change the state of an I/O expander signal output, a master SMBus transaction is initiated to update the state of the I/O expander. This write operation causes the corresponding I/O expander to change the state of its output(s). The PES24T3G2 will not update the state of an I/O expander output more frequently than once every 40 milliseconds. This 40 millisecond time interval is referred to as the I/O expander update period.

Whenever an input to the I/O expander changes state from the value previously read, the interrupt output of the I/O expander is asserted. This causes the PES24T3G2 to issue a master SMBus transaction to read the updated state of all I/O expander inputs. In legacy Gen1 devices, the PCIe switch would only read the state of the I/O expander that asserted the interrupt. Whenever any I/O expander interrupt is asserted, the PES24T3G2 reads and updates the state of all I/O expander inputs.

Notes

Regardless of the state of the interrupt output of the I/O expander, the PES24T3G2 will not issue a master SMBus transaction to read the updated state of the I/O expander inputs more frequently than once every 40 milliseconds (i.e., the I/O expander update period). This delay in sampling may be used to eliminate external debounce circuitry. The I/O expander interrupt request output is negated whenever the input values are read or when the input pin changes state back to the value previously read.

The PES24T3G2 ensures that I/O expander transactions are initiated on the master SMBus in a fair manner. This guarantees that all I/O expanders have equal service latencies. Any errors detected during I/O expander SMBus read or write transactions is reflected in the status bits of the SMBus Status (SMBUSSTS) register.

The I/O Expander Interface (IOEXPINTF) register allows direct testing and debugging of the I/O expander functionality. The Select (SEL) field in the IOEXPINTF register selects the I/O expander number on which other fields in the register operate. The I/O Expander Data field in the IOEXPINTF register reflect the current state, as viewed by the PES24T3G2, of the I/O expander inputs and outputs selected by the SEL field.

Writing a one to the Reload I/O Expander Signals (RELOADIOEX) bit in the IOEXPINTF register causes the PES24T3G2 to generate SMBus write and read transactions to the I/O expander number selected in the SEL field. This results in the value of the IOEDATA field being updated to reflect the current state of the corresponding I/O expander signals. This feature may be used to aid in debugging I/O expander operation. For example, a user who neglects to configure a GPIO as an alternate function may use this feature to determine that master SMBus transactions to the I/O expander function properly and that the issue is with the interrupt logic.

The IO Expander Test Mode (IOEXTM) bit in the IOEXPINTF register allows an I/O expander test mode to be entered. When this bit is set, the PES24T3G2 core logic outputs are ignored and the values written to the I/O expander for output bits are the values in the IOEDATA field. In this mode, the PES24T3G2 issues a transaction to update the state of the I/O expander whenever a bit corresponding to an I/O expander output changes state due to a write to the IOEDATA field.

Bits in the IOEDATA field that correspond to outputs are dependent on the I/O expander number selected in the SEL field in the IOEXPINTF register. The outputs for each I/O expander number are shown in Table 5.6 through 5.8.

IDT suggests the following system design recommendations:

- I/O expander addresses and default output values may be configured during serial EEPROM initialization. If I/O expander addresses are configured via the serial EEPROM, then the PES24T3G2 will initialize the I/O expanders when normal device operation begins following the completion of the fundamental reset sequence.
- If the I/O expanders are initialized via serial EEPROM, the data value for output signals during the SMBus initialization sequence will correspond to those at the time the SMBus transactions are initiated. It is not possible to toggle SMBus I/O expander outputs by modifying data values during serial EEPROM initialization.
- During a fundamental reset and before the I/O expander outputs are initialized, all I/O expander output signals default to inputs. Therefore, pull-up or pull-down resistors should be placed on outputs to ensure that they are held in the desired state during this period.
- All hot-plug data value modifications that correspond to hot-plug outputs result in SMBus transactions. This includes modifications due to upstream secondary bus resets and hot-resets.
- I/O expander outputs are not modified when the device transitions from normal operation to a fundamental reset. In systems where I/O expander output values must be reset during a fundamental reset, a PCA9539 I/O expander should be used.

Notes

I/O Expander 0

SMBus I/O Expander Bit	Type	Signal	Description
0 (I/O-0.0) ¹	I	P2APN	Port 2 attention push button input
1 (I/O-0.1)	I	P2PDN	Port 2 presence detect input
2 (I/O-0.2)	I	P2PFN	Port 2 power fault input
3 (I/O-0.3)	I	P2MRLN	Port 2 manually-operated retention latch (MRL) input
4 (I/O-0.4)	O	P2AIN	Port 2 attention indicator output
5 (I/O-0.5)	O	P2PIN	Port 2 power indicator output
6 (I/O-0.6)	O	P2PEP	Port 2 power enable output
7 (I/O-0.7)	O	P2ILOCKP	Port 2 electromechanical interlock
8 (I/O-1.0)	I	P4APN	Port 4 attention push button input
9 (I/O-1.1)	I	P4PDN	Port 4 presence detect input
10 (I/O-1.2)	I	P4PFN	Port 4 power fault input
11 (I/O-1.3)	I	P4MRLN	Port 4 manually-operated retention latch (MRL) input
12 (I/O-1.4)	O	P4AIN	Port 4 attention indicator output
13 (I/O-1.5)	O	P4PIN	Port 4 power indicator output
14 (I/O-1.6)	O	P4PEP	Port 4 power enable output
15 (I/O-1.7)	O	P4ILOCKP	Port 4 electromechanical interlock

Table 5.6 I/O Expander 0 Signals

¹: I/O-x.y corresponds to the notation used for PCA9555 port x I/O pin y.

I/O Expander 2

SMBus I/O Expander Bit	Type	Signal	Description
0 (I/O-0.0) ¹	I	-	Unused
1 (I/O-0.1)	I	-	Unused
2 (I/O-0.2)	I	-	Unused
3 (I/O-0.3)	I	-	Unused
4 (I/O-0.4)	O	-	Unused
5 (I/O-0.5)	O	-	Unused
6 (I/O-0.6)	O	-	Unused
7 (I/O-0.7)	O	-	Unused
8 (I/O-1.0)	I	-	Unused
9 (I/O-1.1)	I	-	Unused
10 (I/O-1.2)	I	P2PWRGDN	Port 2 power good input

Table 5.7 I/O Expander 2 Signals

Notes

SMBus I/O Expander Bit	Type	Signal	Description
11 (I/O-1.3)	I	-	Unused
12 (I/O-1.4)	I	P4PWRGDN	Port 4 power good input
13 (I/O-1.5)	I	-	Unused
14 (I/O-1.6)	I	-	Unused
15 (I/O-1.7)	I	-	Unused

Table 5.7 I/O Expander 2 Signals

¹ I/O-x.y corresponds to the notation used for PCA9555 port x I/O pin y.

I/O Expander 4

SMBus I/O Expander Bit	Type	Signal	Description
0 (I/O-0.0) ¹	O	P0LINKUPN	Port 0 link up status output
1 (I/O-0.1)		-	Unused
2 (I/O-0.2)	O	P2LINKUPN	Port 2 link up status output
3 (I/O-0.3)	O	-	Unused
4 (I/O-0.4)	O	P4LINKUPN	Port 4 link up status output
5 (I/O-0.5)	O	-	Unused
6 (I/O-0.6)	O	-	Unused
7 (I/O-0.7)	O	-	Unused
8 (I/O-1.0)	O	-	Unused
9 (I/O-1.1)	O	-	Unused
10 (I/O-1.2)	O	P2ACTIVEN	Port 2 activity output
11 (I/O-1.3)	O	-	Unused
12 (I/O-1.4)	O	P4ACTIVEN	Port 4 activity output
13 (I/O-1.5)	O	-	Unused
14 (I/O-1.6)	O	-	Unused
15 (I/O-1.7)	O	-	Unused

Table 5.8 I/O Expander 4 Signals

¹ I/O-x.y corresponds to the notation used for PCA9555 port x I/O pin y.

Slave SMBus Interface

The slave SMBus interface provides the PES24T3G2 with a configuration, management, and debug interface. Using the slave SMBus interface, an external master can read or write any software visible register in the device.

Notes

Initialization

Slave SMBus initialization occurs during a fundamental reset (see section Fundamental Reset on page 2-2). During the fundamental reset initialization sequence, the slave SMBus address is initialized. The address is specified by the SSMBADDR[5,3:1] signals as shown in Table 5.9.

Note: SSMBADDR address pins are not available in the 19mm package. The SSMBADDR address is hardwired to 0x77.

Address Bit	Address Bit Value
1	SSMBADDR[1]
2	SSMBADDR[2]
3	SSMBADDR[3]
4	0
5	SSMBADDR[5]
6	1
7	1

Table 5.9 Slave SMBus Address When a Static Address is Selected

SMBus Transactions

The slave SMBus interface responds to the following SMBus transactions initiated by an SMBus master (see the SMBus 2.0 specification for a detailed description of these transactions):

- Byte and Word Write/Read
- Block Write/Read

Initiation of any SMBus transaction other than those listed above to the slave SMBus interface produces undefined results. Associated with each of the above transactions is a command code. The command code format for operations supported by the slave SMBus interface is shown in Figure 5.5 and described in Table 5.10.

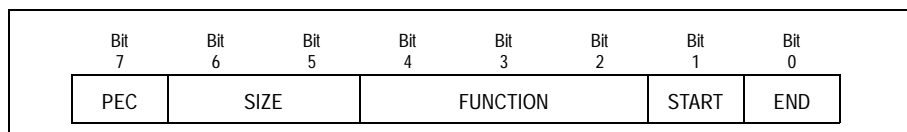


Figure 5.5 Slave SMBus Command Code Format

Bit Field	Name	Description
0	END	End of transaction indicator. Setting both START and END signifies a single transaction sequence 0 - Current transaction is not the last read or write sequence. 1 - Current transaction is the last read or write sequence.
1	START	Start of transaction indicator. Setting both START and END signifies a single transaction sequence 0 - Current transaction is not the first of a read or write sequence. 1 - Current transaction is the first of a read or write sequence.

Table 5.10 Slave SMBus Command Code Fields (Part 1 of 2)

Notes

Bit Field	Name	Description
4:2	FUNCTION	This field encodes the type of SMBus operation. 0 - CSR register read or write operation 1 - Serial EEPROM read or write operation 2 through 7 - Reserved
6:5	SIZE	This field encodes the data size of the SMBus transaction. 0 - Byte 1 - Word 2 - Block 3 - Reserved
7	PEC	This bit controls whether packet error checking is enabled for the current SMBus transaction. 0 - Packet error checking disabled for the current SMBus transaction. 1 - Packet error checking enabled for the current SMBus transaction.

Table 5.10 Slave SMBus Command Code Fields (Part 2 of 2)

The FUNCTION field in the command code indicates if the SMBus operation is a CSR register read/write or a serial EEPROM read/write operation. Since the format of these transactions is different. They will be described individually in the following sections. If a command is issued while one is already in progress or if the slave is unable to supply data associated with a command, the command is NACKed. This indicates to the master that the transaction should be retried.

CSR Register Read or Write Operation

Table 5.11 indicates the sequence of data as it is presented on the slave SMBus following the byte address of the Slave SMBus interface.

Byte Position	Field Name	Description
0	CCODE	Command Code. Slave Command Code field described in Table 5.10.
1	BYCNT	Byte Count. The byte count field is only transmitted for block type SMBus transactions. SMBus word and byte accesses do not contain this field. The byte count field indicates the number of bytes following the byte count field when performing a write or setting up for a read. The byte count field is also used when returning data to indicate the number of following bytes (including status). <i>Note that the byte count field does not include the PEC byte if PEC is enabled.</i>
2	CMD	Command. This field encodes fields related to the CSR register read or write operation.
3	ADDRL	Address Low. Lower 8-bits of the doubleword CSR system address of register to access.
4	ADDRU	Address Upper. Upper 6-bits of the doubleword CSR system address of register to access. Bits 6 and 7 in the byte must be zero and are ignored by the hardware.
5	DATALL	Data Lower. Bits [7:0] of data doubleword.
6	DATALM	Data Lower Middle. Bits [15:8] of data doubleword.
7	DATAUM	Data Upper Middle. Bits [23:16] of data doubleword.
8	DATAUU	Data Upper. Bits [31:24] of data doubleword.

Table 5.11 CSR Register Read or Write Operation Byte Sequence

Table 5.11 indicates the sequence of data as it is presented on the slave SMBus following the byte address of the Slave SMBus interface. Dword addresses and not byte addresses must be used to access all visible software registers. ADDR_L and ADDR_U represent the lower 8-bit of the doubleword system

Notes

address and upper 6-bit doubleword system address, respectively. For example, use ADDRU = x00 and ADDR L = 0x00 to access system address 0x00000 (port 0's Vendor/Device ID register). Use ADDRU = x00 and ADDR L = 0x01 to access system address 0x00004 (port 0's Command/Status register).

The format of the CMD field is shown in Figure 5.6 and described in Table 5.12.

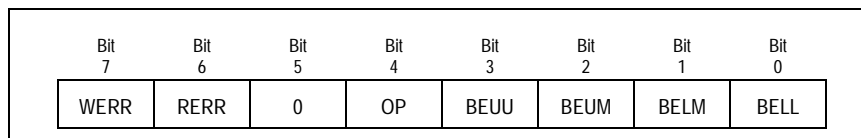


Figure 5.6 CSR Register Read or Write CMD Field Format

Bit Field	Name	Type	Description
0	BELL	Read/Write	Byte Enable Lower. When set, the byte enable for bits [7:0] of the data word is enabled.
1	BELM	Read/Write	Byte Enable Lower Middle. When set, the byte enable for bits [15:8] of the data word is enabled.
2	BEUM	Read/Write	Byte Enable Upper Middle. When set, the byte enable for bits [23:16] of the data word is enabled.
3	BEUU	Read/Write	Byte Enable Upper. When set, the byte enable for bits [31:24] of the data word is enabled.
4	OP	Read/Write	CSR Operation. This field encodes the CSR operation to be performed. 0 - CSR write 1 - CSR read
5	0	0	Reserved. Must be zero
6	RERR	Read-Only and Clear	Read Error. This bit is set if the last CSR read SMBus transaction was not claimed by a device. Success indicates that the transaction was claimed and not that the operation completed without error.
7	WERR	Read-Only and Clear	Write Error. This bit is set if the last CSR write SMBus transaction was not claimed by a device. Success indicates that the transaction was claimed and not that the operation completed without error.

Table 5.12 CSR Register Read or Write CMD Field Description

Serial EEPROM Read or Write Operation

Table 5.12 indicates the sequence of data as it is presented on the slave SMBus following the byte address of the Slave SMBus interface.

Byte Position	Field Name	Description
0	CCODE	Command Code. Slave Command Code field described in Table 5.10.
1	BYCNT	Byte Count. The byte count field is only transmitted for block type SMBus transactions. SMBus word and byte accesses do not contain this field. The byte count field indicates the number of bytes following the byte count field when performing a write or setting up for a read. The byte count field is also used when returning data to indicate the number of following bytes (including status).
2	CMD	Command. This field contains information related to the serial EEPROM transaction

Table 5.13 Serial EEPROM Read or Write Operation Byte Sequence (Part 1 of 2)

Notes

Byte Position	Field Name	Description
3	EEADDR	Serial EEPROM Address. This field specifies the address of the Serial EEPROM on the Master SMBus when the USA bit is set in the CMD field. Bit zero must be zero and thus the 7-bit address must be left justified.
4	ADDRL	Address Low. Lower 8-bits of the Serial EEPROM byte to access.
5	ADDRU	Address Upper. Upper 8-bits of the Serial EEPROM byte to access.
6	DATA	Data. Serial EEPROM value read or to be written.

Table 5.13 Serial EEPROM Read or Write Operation Byte Sequence (Part 2 of 2)

The format of the CMD field is shown in Figure 5.7 and described in Table 5.14.

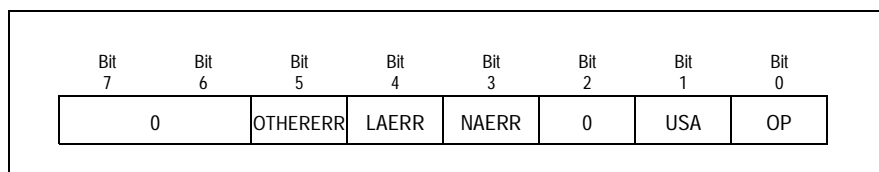


Figure 5.7 Serial EEPROM Read or Write CMD Field Format

Bit Field	Name	Type ¹	Description
0	OP	RW	Serial EEPROM Operation. This field encodes the serial EEPROM operation to be performed. 0 - Serial EEPROM write 1 - Serial EEPROM read
1	USA	RW	Use Specified Address. When this bit is set the serial EEPROM SMBus address specified in the EEADDR is used instead of that specified in the ADDR field in the EEPROMINTF register. When this bit is set the serial EEPROM SMBus address specified in the EEADDR is used instead of that specified in the MSMBADDR field in the SMBUSSTS register.
2	Reserved		Reserved
3	NAERR	RC	No Acknowledge Error. This bit is set if an unexpected NACK is observed during a master SMBus transaction when accessing the serial EEPROM. This bit has the same function as the NAERR bit in the SMBUSSTS register. The setting of this bit may indicate the following: that the addressed device does not exist on the SMBus (i.e., addressing error), data is unavailable or the device is busy, an invalid command was detected by the slave, invalid data was detected by the slave.
4	LAERR	RC	Lost Arbitration Error. This bit is set if the master SMBus interface loses 16 consecutive arbitration attempts when accessing the serial EEPROM. This bit has the same function as the LAERR bit in the SMBUSSTS register.

Table 5.14 Serial EEPROM Read or Write CMD Field Description

Notes

Bit Field	Name	Type ¹	Description
5	OTHERERR	RC	Other Error. This bit is set if a misplaced START or STOP condition is detected by the master SMBus interface when accessing the serial EEPROM. This bit has the same function as the OTHERERR bit in the SMBUSSTS register.
7:6	Reserved	0	Reserved. Must be zero

Table 5.14 Serial EEPROM Read or Write CMD Field Description

¹. See Table Table 2 in the About This Manual chapter for a definition of these abbreviations.

Sample Slave SMBus Operation

This section illustrates sample Slave SMBus operations. Shaded items are driven by the PES24T3G2's slave SMBus interface and non-shaded items are driven by an SMBus host.

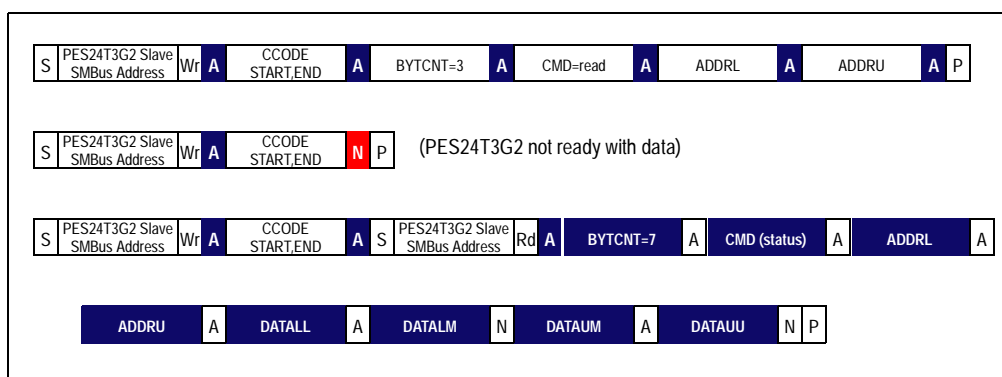


Figure 5.8 CSR Register Read Using SMBus Block Write/Read Transactions with PEC Disabled

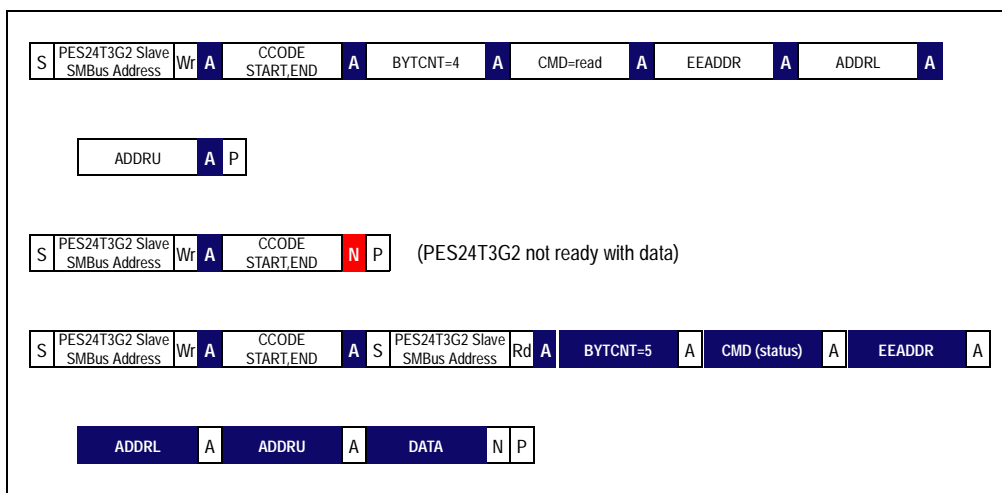


Figure 5.9 Serial EEPROM Read Using SMBus Block Write/Read Transactions with PEC Disabled

Notes

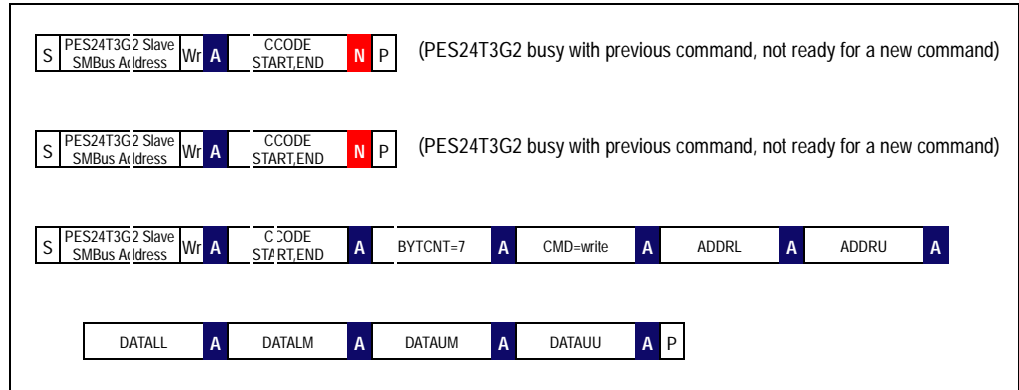


Figure 5.10 CSR Register Write Using SMBus Block Write Transactions with PEC Disabled

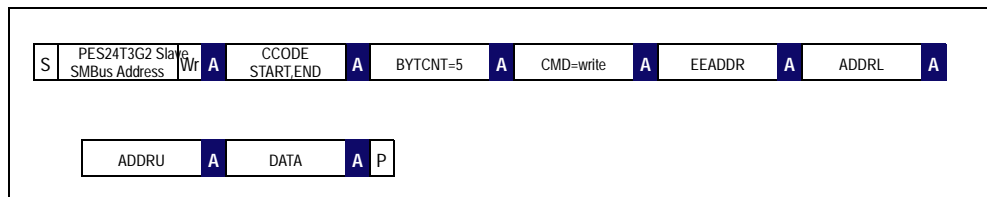


Figure 5.11 Serial EEPROM Write Using SMBus Block Write Transactions with PEC Disabled

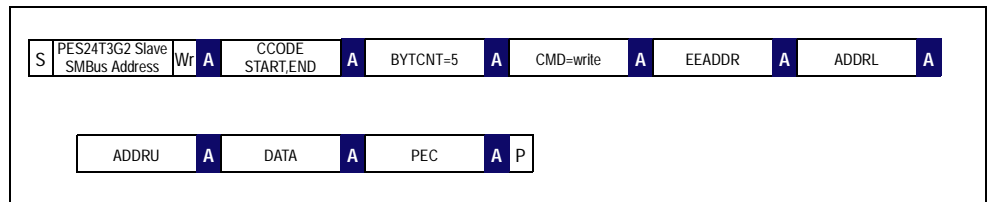


Figure 5.12 Serial EEPROM Write Using SMBus Block Write Transactions with PEC Enabled

Notes

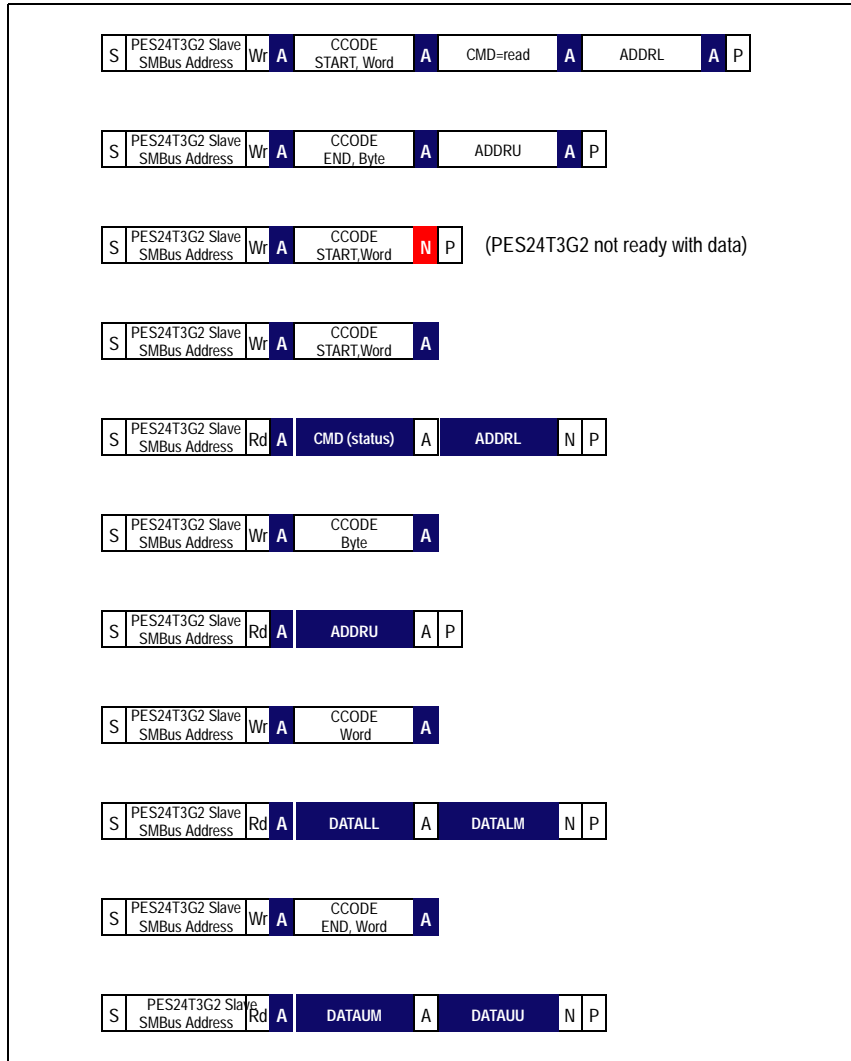


Figure 5.13 CSR Register Read Using SMBus Read and Write Transactions with PEC Disabled

Notes



Power Management

Notes

Introduction

Located in configuration space of each PCI-PCI bridge in the PES24T3G2 is a power management capability structure. The power management capability structure associated with a PCI-PCI bridge of a downstream port only affects that port. Entering the D3_{Hot} state allows the link associated with the bridge to enter the L1 state.

- The link associated with a port in the D3_{Hot} state will attempt to transition into L1 link state irrespective of the link or power management state of any other switch port.

The power management capability structure associated with the upstream port (i.e., Port 0) affects the entire device. When the upstream port enters a low power state and the PME_TO_Ack messages are received, then the entire device is placed into a low power state. The PES24T3G2 supports the following device power management states: D0 Uninitialized, D0 Active, D3_{Hot}, and D3_{Cold}. A power management state transition diagram for the states supported by the PES24T3G2 is provided in Figure 6.1 and described in Table 6.1.

Transitioning a port's power management state from D3_{hot} to D0_{uninitialized} does not result in any logic being reset or re-initialization of register values. Thus, the default value of the No Soft Reset (NOSOFTRST) bit in the PCI Power Management Control and Status (PMCSR) register corresponds to the functional context being maintained in the D3_{hot} state.

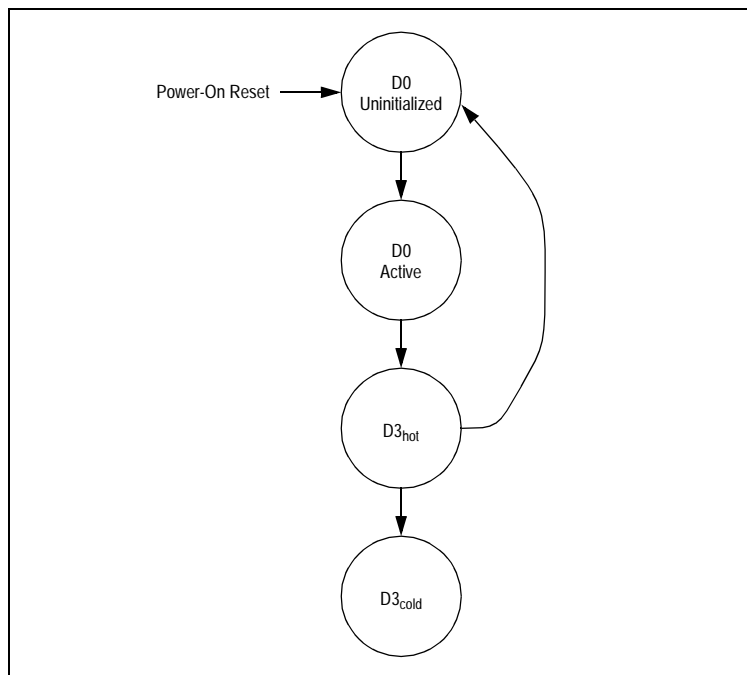


Figure 6.1 PES24T3G2 Power Management State Transition Diagram

Notes

From State	To State	Description
any	D0 Uninitialized	Power-on Fundamental Reset.
D0 Uninitialized	D0 Active	PCI-PCI bridge configured by software
D0 Active	D3 _{hot}	The Power Management State (PMSTATE) field in the PCI Power Management Control and Status (PMCSR) register is written with the value that corresponds to the D3 _{hot} state.
D3 _{hot}	D0 Uninitialized	The Power Management State (PMSTATE) field in the PCI Power Management Control and Status (PMCSR) register is written with the value that corresponds to D0 state.
D3 _{hott}	D3 _{cold}	Power is removed from the device.

Table 6.1 PES24T3G2 Power Management State Transition Diagram

The PES24T3G2 PCI-to-PCI bridges (i.e., ports) have the following behavior when in the D3_{hot} power management state.

- A bridge accepts, processes, and completes all type 0 configuration read and write requests.
- A bridge accepts and processes all message requests that target the bridge.
- All requests received by the bridge on the primary interface, except as noted above, are treated as unsupported requests (UR).
- Any error message resulting from the receipt of a TLP is reported in the same manner as when the bridge is not in D3_{hot} (e.g, generation of an ERR_NONFATAL message to the root).
- Error messages resulting from any event other than the receipt of a TLP are discarded (i.e., no error message is generated).
- All completions that target the bridge are treated as unexpected completions (UC).
- Completions flowing in either direction through the bridge are routed as normal. This behavior of the bridge does not differ from that of the bridge when it is in the D0 power management state.
- All request TLPs received on the secondary interface are treated as unsupported requests (UR).

PME Messages

The PES24T3G2 does not support generation of PME messages from the D3_{cold} state. Downstream ports (i.e., PCI-PCI bridges associated with downstream ports) support the generation of hot-plug PME events (i.e., a PM_PME power management message) from the D3_{hot} state. This includes both the case when the downstream port is in the D3_{hot} state or the entire switch is in the D3_{hot} state.

The generation of a PME message by downstream ports necessitates the implementation of a PME service time-out mechanism to ensure that PME messages are not lost. If the PME Status (PMES) bit in the a downstream port's PCI Power Management Control and Status (PMCSR) register is not cleared within the time-out period specified in the PM_PME Time-Out (PMPMETO) field in the ports PM_PME Timer (PMPMETIMER) register after a PM_PME message is transmitted, then the PM_PME message is retransmitted and the timer is restarted.

PCI-Express Power Management Fence Protocol

The Root complex takes the following steps to turn off power to a system:

- The root places all devices in the D3 state
- Upon entry to D3, all devices transition their links to the L1 state
- The root broadcasts a PME_Turn_Off message.
- Devices acknowledge the PME_Turn_Off message by returning a PME_TO_ACK message.

Notes

The PME_Turn_Off / PME_TO_Ack protocol may be initiated by the root when the switch is in any power management state. When the PES24T3G2 receives a PME_Turn_Off message, it broadcasts the PME_Turn_Off message on all active downstream ports. The PES24T3G2 transmits a PME_TO_Ack message on its upstream port and transitions its link state to L2/L3 Ready after it has received a PME_TO_Ack message on each of its active downstream ports. This process is called PME_TO_Ack aggregation.

The aggregation of PME_TO_Ack messages on downstream ports is abandoned by the PES24T3G2 when it receives a TLP on its upstream port after it has received a PME_Turn_Off message on that port but before it has responded with a PME_TO_Ack message. Once a PME_TO_Ack message has been scheduled for transmission on the upstream port and the PME_TO_Ack aggregation process has completed, received TLPs at that point may be discarded.

If the TLP that causes PME_TO_Ack aggregation to be abandoned targets the PES24T3G2, the PES24T3G2 responds to the TLP normally. If the TLP that causes aggregation to be abandoned targets a downstream port and the port is in L0, the TLP is transmitted on the downstream port. If the downstream port is not in L0 (i.e., it is in L2/L3 Ready), the switch transitions the link to Detect and then to L0. Once the link reaches L0, the TLP is transmitted on the downstream port.

When PME_TO_Ack aggregation is abandoned, the PES24T3G2 makes no attempt to abandon the PME_Turn_Off and PME_TO_Ack protocol on downstream ports. Devices downstream from the PES24T3G2 are allowed to respond with a PME_TO_Ack and transition to L2/L3 Ready. When a TLP is received that targets the downstream port, the switch transitions the link to Detect and then to L0. Once the link reaches L0, the TLP is transmitted on the downstream port.

In order to avoid deadlock, a downstream port that does not receive a PME_TO_Ack message in the time-out period specified in the PME_TO_Ack Time-Out (PMETOATO) field in its corresponding PME_TO_Ack Timer (PMETOATIMER) register declares a time-out, transitions its link to L2/L3 Ready, and signals to the upstream port that a PME_TO_Ack message has been received. If instead of being transitioned to the D3_{cold} state the PES24T3G2 is transitioned to the D0_{uninitialized} state, the PES24T3G2 resumes generation of PM_PME messages.

Power Budgeting Capability

The PES24T3G2 contains the mechanisms necessary to implement the PCI-Express power budgeting enhanced capability. However, by default, these mechanisms are not enabled. To enable the power budgeting capability, registers in this capability should be initialized and the Next Pointer (NXTPTR) field in one of the other enhanced capabilities should be initialized to point to the power budgeting capability. The Next Pointer (NXTPTR) of the power budgeting capability should be adjusted if necessary.

The power budgeting capability consists of the four power budgeting capability registers defined in the PCIe 2.0 base specification and eight general purpose read-write registers. See section Power Budgeting Enhanced Capability on page 8-55 for a description of these registers.

The Power Budgeting Capabilities (PWRBCAP) register contains the PCI-Express enhanced capability header for the power budgeting capability. By default, this register has an initial read-only value of zero. To enable the power budgeting capability, this register should be initialized via the serial EEPROM. The Power Budgeting Data Value [0..7] (PWRBDV[0..7]) registers are used to hold the power budgeting information for that port in a particular operating condition.

The PWRBDV registers may be read and written when the Power Budgeting Data Value Unlock (PWRBDVUL) bit is set in the Switch Control (SWCTL) register. When the PWRBDVUL bit is cleared, these registers are read-only and writes to these registers are ignored. To enable the power budgeting capability, the PWRBDV registers should be initialized with power budgeting information via the serial EEPROM.

Notes



Hot-Plug and Hot-Swap

Notes

Hot-Plug

As illustrated in Figures 7.1 through 7.3, a PCIe switch may be used in one of three hot-plug configurations. Figure 7.1 illustrates the use of the PES24T3G2 in an application in which two downstream ports are connected to slots into which add-in cards may be hot-plugged. Figure 7.2 illustrates the use of the PES24T3G2 in an add-in card application. Here the downstream ports are hardwired to devices on the add-in card and the upstream port serves as the add-in card's PCIe interface. In this application the upstream port may be hot-plugged into a slot on the main system. Finally, Figure 7.3 illustrates the use of the PES24T3G2 in a carrier card application. In this application, the downstream ports are connected to slots which may be hot-plugged and the entire assembly may be hot-plugged into a slot on the main system. Since this application requires nothing more than the functionality illustrated in both Figures 7.1 through 7.2, it will not be discussed further.

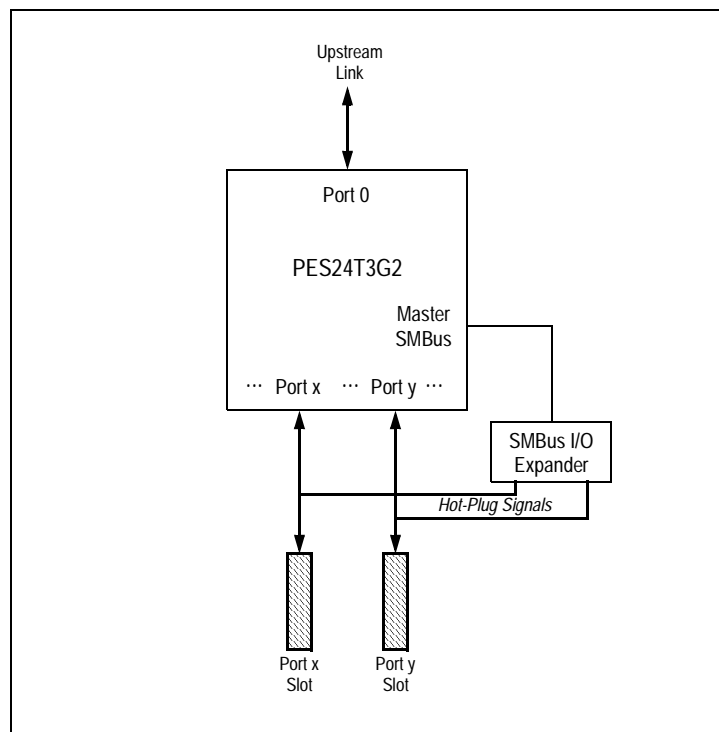


Figure 7.1 Hot-Plug on Switch Downstream Slots Application

Notes

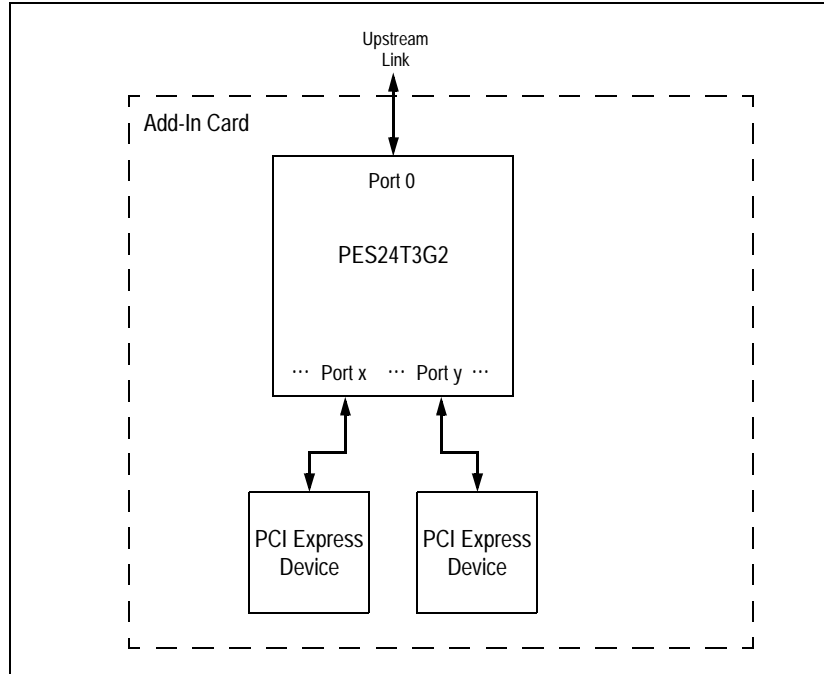


Figure 7.2 Hot-Plug with Switch on Add-In Card Application

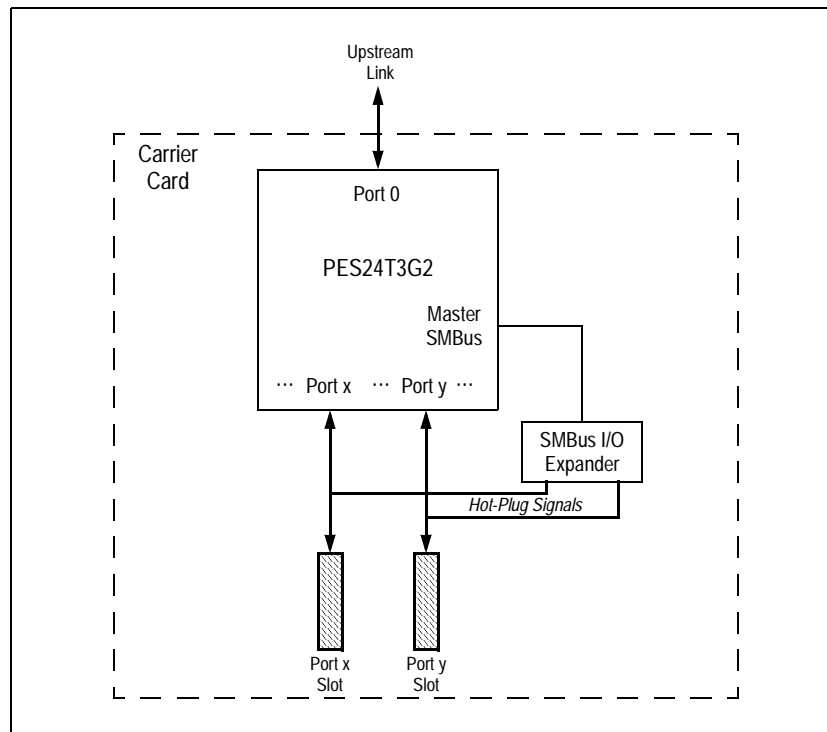


Figure 7.3 Hot-Plug with Carrier Card Application

The PCI Express Base Specification revision 1.0a allowed a hot-plug attention indicator, power indicator and attention button to be located on the board on which the slot is implemented or on the add-in board. When located on the add-in board, state changes are communicated between the hot-plug controller associated with the slot and the add-in card via hot-plug messages. This capability was removed in revision 1.1 of the PCI Express Base Specification and is not supported in the PES24T3G2.

Notes

The remainder of this section discusses the use of the PES24T3G2 in an application in which one or more of the downstream ports are used in an application in which an add-in card may be hot-plugged into a downstream slot. Associated with each downstream port in the PES24T3G2 is a hot-plug controller. The hot-plug controller may be enabled by setting the HPC bit in the PCI Express Slot Capabilities (PCIESCAP) register associated with that port during configuration (e.g., via serial EEPROM). The PES24T3G2 allows sensor inputs and indicator outputs to be located next to the slot or on the plug in module. Regardless of the physical location, the indicators are controlled by the PES24T3G2's downstream port.

Table 7.1 lists the hot-plug inputs and outputs that may be associated with a slot. When enabled during configuration in the PCIESCAP register, these inputs and outputs are made available to external logic using an external I/O expander located on the master SMBus interface. When the IO Expander is initialized (i.e., the HPC bit in the port's PCIESCAP register transitions from 0 to 1, or the IOEXPADDR field in the IOEXPADDR0 register is written to), the hot-plug controller for the corresponding port initiates an SMBus access to configure the IO Expander and updates the status bits in the PCI Express Slot Status (PCIESSTS) register. During this initial access, the Presence Detect Changed (PDC) and MRL Sensor Changed (MRLSC) bits in the PCIESSTS register are not set, since this access is used to determine the initial state of the IO Expander signals.

The PES24T3G2 supports presence detect signalling via assertion of the Presence Detect Input signal in the external I/O Expander module and through "in-band" presence detect. The Presence Detect Control (PDETECT) field in the Hot-Plug Configuration Control (HPCFGCTL) register may be used to control the mechanism used for presence detect.

Signal	Type	Name/Description
PxAPN	I	Port x ¹ Attention Push button Input.
PxPDN	I	Port x Presence Detect Input.
PxPFN	I	Port x Power Fault Input.
PxMRLN	I	Port x Manually-operated Retention Latch (MRL) Input.
PxAIn	O	Port x Attention Indicator Output.
PxPIN	O	Port x Power Indicator Output.
PxPEP	O	Port x Power Enable Output.
PxILOCKP	O	Port x Electromechanical Interlock.
PxPWRGDN	I	Port x Power Good Input (asserted when slot power is good).
PxRSTN ²	O	Port x Reset Output.

Table 7.1 Downstream Port Hot Plug Signals

¹: x corresponds to downstream port number (i.e., 1 through 7).

²: This signal is a GPIO pin alternate function and is not available as an I/O expander output.

Since the polarity of hot-plug signals has been defined differently in various specifications, each hot plug signal has a corresponding control bit in the Hot-Plug Configuration Control (HPCFGCTL) that allows the polarity of that signal to be inverted. Inversion affects the corresponding signal in all ports. When a one is written to the EIC bit in the PCIESCTL register, then the PxILOCKP signal is pulsed for a length greater than 100 ms and less than 150 ms (i.e., it transitions from negated to asserted, maintains an asserted state for 100 to 150 ms, and then transitions back to negated). When the Toggle Electromechanical Interlock Control. (TEMICTL) bit in the HPCFGCTL register is set, writing a one to the EIC bit inverts the state of the PxILOCKP signal.

When the Replace MRL Status with EMIL Status (RMRLWEMIL) bit is set in the HPCFGCTL register, the port's PxMRLN input is used as the electromechanical state input. The state of this input is used as the state of the electromechanical interlock state obtained by reading the Electromechanical Interlock Status (EIS) bit in the PCI Express Slot Status (PCIESSTS) register. In this mode, the state of the Manually-oper-

Notes

ated Retention Latch Sensor State (MRLSS) status is always reported as closed (i.e., zero). When the RMRLWEMIL bit is cleared, the EIS bit state in the PCIESSTS register always returns the value of the corresponding PxILOCKP I/O expander signal output.

When the MRL Automatic Power Off (MRLPWROFF) bit is set in the HPCFGCTL register and the Manual Retention Latch Present (MRLP) bit is set in the PCI Express Slot Capability (PCIESCAP) register, power to the slot is automatically turned off when the MRL sensor indicates that the MRL is open. This occurs regardless of the state of the Power Controller Control (PCC) bit in the PCI Express Slot Control (PCIESCTL) register.

The state of a port's Power Fault (PxPFN) input is not latched by the PES24T3G2. For proper operation the system designer should ensure that once the PxPFN signal is asserted, it remains asserted until the power enable (PxPEP) signal is toggled. This is required adapter behavior for the PCI Express Express-Module form factor.

Downstream port reset outputs are described in section Downstream Port Reset Outputs on page 2-7.

The default value of hot-plug registers following a hot or fundamental reset may be configured via serial EEPROM initialization. Since hot-plug I/O expander initialization occurs after serial EEPROM initialization, the Command Completed (CC) bit is not set in the PCI Express Slot Status (PCIESSTS) register as a result of serial EEPROM initialization. Following a Hot-Reset to the Entire Device (see section Hot Reset on page 2-5) or an Upstream Secondary Bus Hot-Reset (see section Upstream Secondary Bus Reset on page 2-6), each downstream port's PHY will transition the links to the Hot-Reset state and subsequently re-train the link starting from the Detect state. When this occurs, the Hot-Plug controller for the port does not set the Presence Detect Changed (PDC) bit in the PCIESSTS register.

Hot-Plug I/O Expander

The PES24T3G2 utilizes external SMBus/I²C-bus I/O expanders connected to the master SMBus interface for hot-plug related signals associated with downstream ports. See section I/O Expanders on page 5-7 for details on the operation of the I/O expanders and for the mapping of downstream hot-plug signals to I/O expander inputs and outputs.

Hot-Plug Interrupts and Wake-up

The hot-plug controller associated with a downstream slot may generate an interrupt or wakeup event. Hot-plug interrupts are only generated when the Hot Plug Interrupt Enable (HPIE) bit is set in the corresponding port's PCI Express Slot Control (PCIESCTL) register. The following bits, when set in the PCI Express Slot Status (PCIESSTS) register, generate an interrupt if not masked by the corresponding bit in the PCI Express Slot Control (PCIESCTL) register or by the HPIE bit:

- Attention Button Pressed (ABP)
- Power Fault Detected (PFD)
- MRL Sensor Changed (MRLSC)
- Presence Detected Changed (PDC)
- Command Completed (CC).

When an unmasked hot-plug interrupt is generated, the action taken is determined by the MSI Enable (EN) bit in the MSI Capability (MSICAP) register and the Interrupt Disable (INTXD) bit in the PCI Command (PCICMD) register. When the downstream port or the entire switch is in a D3_{hot} state, the hot-plug controller generates a wakeup event using a PM_PME message instead of an interrupt if the event interrupt is not masked in the slot control (PCIESCTL) register and hot-plug interrupts are disabled by the HPIE bit. If the event interrupt is not masked and hot-plug interrupts are enabled, both a PM_PME and an interrupt are generated. If the event interrupt is masked, then neither a PM_PME nor an interrupt is generated. Note that a command completed (CC bit) interrupt will not generate a wakeup event.

Notes

Legacy System Hot-Plug Support

Some systems require support for operating systems that lack PCIe hot-plug support. The PES24T3G2 supports these systems by providing a General Purpose Event (GPEN) output as an alternate function of GPIO[7] that can be used instead of the INTx, MSI, and PME mechanisms defined by PCI Express hot-plug. Associated with each downstream port's hot-plug controller is a bit in the General Purpose Event Control (PO_GPECTL) register. When this bit is set, then the corresponding PCIe base 1.1 hot plug event notification mechanisms are disabled for that port and INTx, MSI and PME events will not be generated by that port due to hot-plug events. Instead, hot-plug events are signaled through assertion of the GPEN signal. GPEN is an alternate function of GPIO[7] and GPIO[7] will not be asserted when GPEN is asserted unless it is configured to operate as an alternate function.

Whenever a port signals a hot-plug event through assertion of the GPEN signal, the corresponding port's status bit in the General Purpose Event Status (PO_GPESTS) register is set. A bit in the PO_GPESTS register can only be set if the corresponding port's hot plug controller is configured to signal hot-plug events using the general purpose event (GPEN) signal assertion mechanism. The hot-plug event signalling mechanism is the only thing that is affected when a port is configured to use general purpose events instead of the PCIe defined hot-plug signalling mechanisms (i.e., INTx, MSI and PME). Thus, the PCIe defined capability, status and mask bits defined in the PCIe slot capabilities, status and control registers operate as normal and all other hot-plug functionality associated with the port remains unchanged. INTx, MSI and PME events from other sources are also unaffected.

The enhanced hot-plug signalling mechanism supported by the PES24T3G2 is graphically illustrated in Figure 7.4. This figure provides a conceptual summary of the enhanced hot-plug signalling mechanism in the form of a pseudo logic diagram. Logic gates in this diagram are intended for conveying general concepts, and not for direct implementation.

Notes

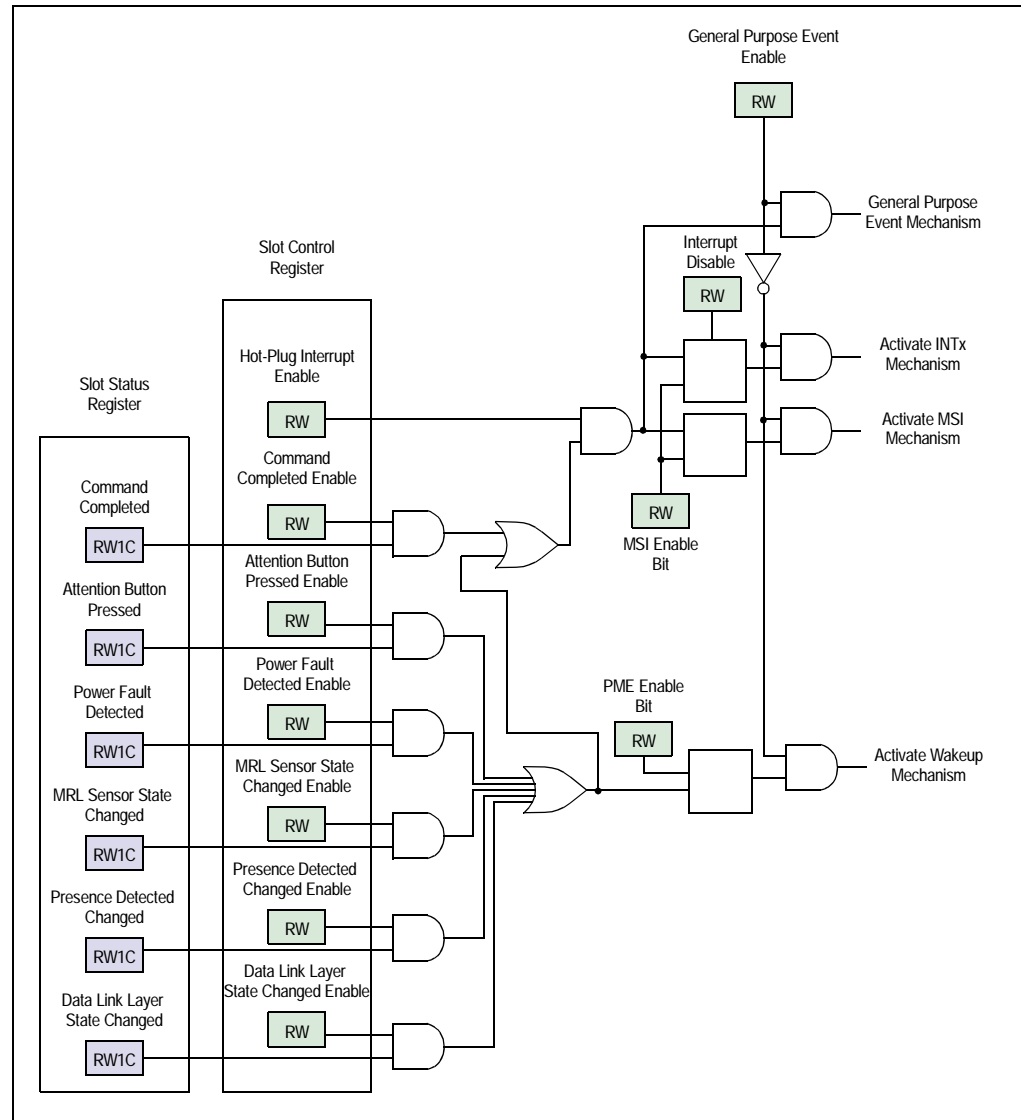


Figure 7.4 PES24T3G2 Hot-Plug Event Signalling

Hot-Swap

The PES24T3G2 is hot-swap capable and meets the following requirements:

- All of the I/Os are tri-stated on reset (i.e., SerDes, GPIO, SMBuses, etc.)
- All I/O cells function predictably from early power. This means that the device is able to tolerate a non-monotonic ramp-up as well as a rapid ramp-up of the DC power.
- All I/O cells are able to tolerate a precharge voltage
- Since no clock is present during physical connection, the device will maintain all outputs in a high-impedance state even when no clock is present.
- The I/O cells meet VI requirements for hot-swap.
- The I/O cells respect the required leakage current limits over the entire input voltage range.

In summary, the PES24T3G2 meets all of the I/O requirements necessary to build a PICMG compliant hot-swap board or system. The hot-swap I/O buffers of the PES24T3G2 may also be used to construct proprietary hot-swap systems. See the PES24T3G2 Data Sheet for a detailed specification of I/O buffer characteristics.



Configuration Registers

Notes

Configuration Space Organization

Each software visible register in the PES24T3G2 is contained in the PCI configuration space of one of the ports. Thus, there are no registers in the PES24T3G2 that cannot be accessed by the root. Each software visible register in the PES24T3G2 has a system address. The system address is formed by adding the PCI configuration space offset value of the register to the base address of the port in which it is located. The system address is used for serial EEPROM register initialization and slave SMBus register accesses.

The base address for each PES24T3G2 port is listed in Table 8.1. The PCI configuration space offset addresses for registers in the upstream port are listed in Table 8.2 while the PCI configuration space offset addresses for registers in downstream ports are listed Table 8.3.

Base Address	PCI Configuration Space
0x0000	Port 0 configuration space (upstream port)
0x2000	Port 2 configuration space (downstream port)
0x4000	Port 4 configuration space (downstream port)

Table 8.1 Base Addresses for Port Configuration Space Register

As shown in Figure 8.1, upstream and downstream ports share a similar PCI configuration space register layout. The upstream port contains global switch control and status registers as well as test mode registers which are not present in the configuration space of downstream ports. Because of their ability to generate MSIs as a result of hot-plug events, the downstream ports contain an MSI capability structure. The upstream port also supports MSI Capability structure to report internal memory errors. Since memory error reporting via interrupts is an optional capability, the MSI capability structure associated with the upstream port is not by default part of the PCI capability structure linked list.

Reading from an upstream port offset not defined in Table 8.2 or a downstream offset not defined in Table 8.3 returns a value of zero. Writes to such an offset complete successfully but modify no data and have no other effect.

Software visible configuration registers exist with one or more fields that perform a side-effect action when written. These side-effect actions may affect the ability of the switch to respond with a completion. For example, writing a one to the Hot Reset (HRST) bit in the Switch Control (SWCTL) register initiates a hot reset of the entire switch. Other examples are the FRST bit in SWCTL, the Link-Disable (LDIS) and Link-Retrain (LRET) bits in the PCI Express Link Control register, as well as the Full Link Retrain (FLRET) field that in the PHY Link State 0 (PHYLSTATE0) register. A configuration write to such a register returns a completion to the Root before the side-effect action is performed. This is implemented by delaying the side-effect action by 1 ms following generation of the completion. Thus, if the completion is not accepted by the upstream port link partner in this time interval, then the completion will be lost.

Notes

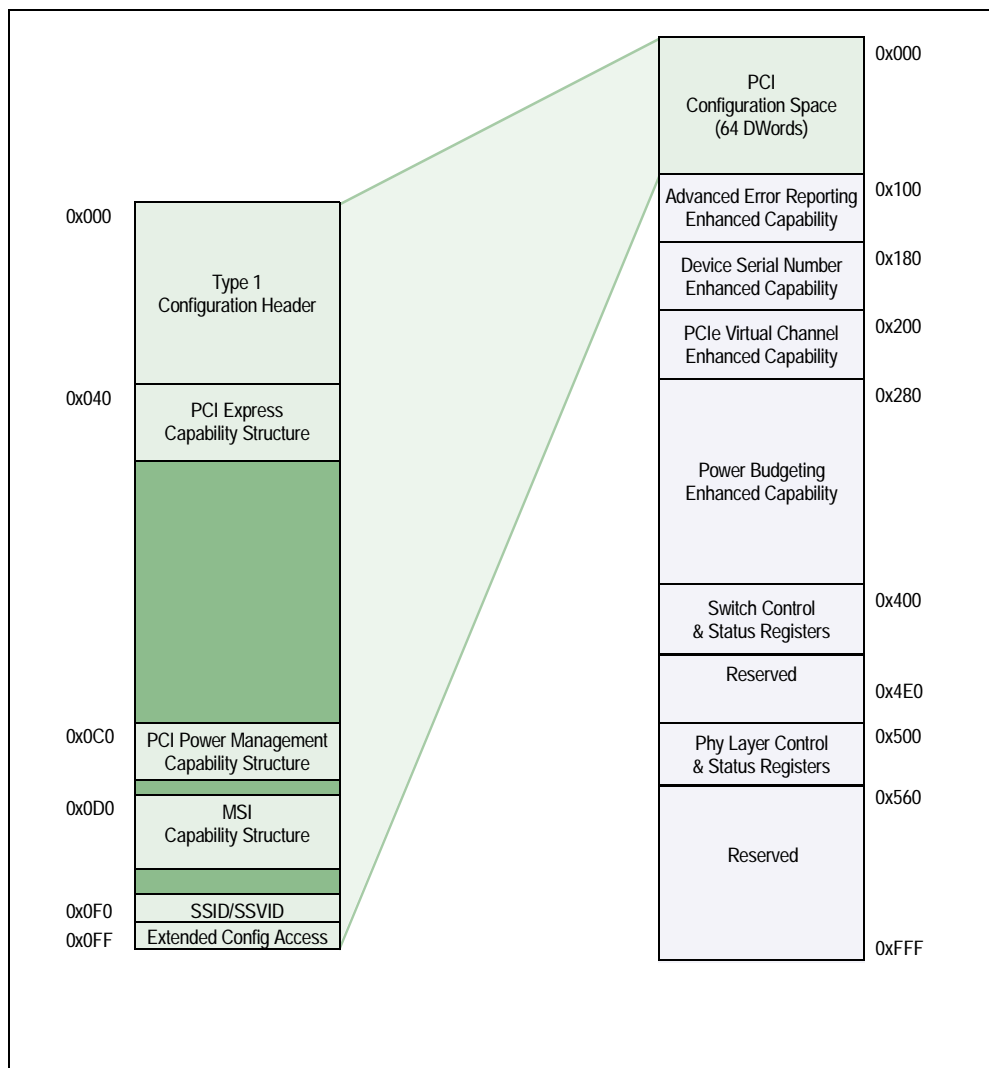


Figure 8.1 Port Configuration Space Organization

Upstream Port (Port 0)

Cfg. Offset	Size	Register Mnemonic	Register Definition
0x000	Word	P0_VID	VID - Vendor Identification Register (0x000) on page 8-10
0x002	Word	P0_DID	DID - Device Identification Register (0x002) on page 8-10
0x004	Word	P0_PCICMD	PCICMD - PCI Command Register (0x004) on page 8-10
0x006	Word	P0_PCISTS	PCISTS - PCI Status Register (0x006) on page 8-11
0x008	Byte	P0_RID	RID - Revision Identification Register (0x008) on page 8-12
0x009	3 Bytes	P0_CCODE	CCODE - Class Code Register (0x009) on page 8-12
0x00C	Byte	P0_CLS	CLS - Cache Line Size Register (0x00C) on page 8-13
0x00D	Byte	P0_PLTIMER	PLTIMER - Primary Latency Timer (0x00D) on page 8-13

Table 8.2 Upstream Port 0 Configuration Space Registers (Part 1 of 5)

Notes

Cfg. Offset	Size	Register Mnemonic	Register Definition
0x00E	Byte	P0_HDR	HDR - Header Type Register (0x00E) on page 8-13
0x00F	Byte	P0_BIST	BIST - Built-in Self Test Register (0x00F) on page 8-13
0x010	DWord	P0_BAR0	BAR0 - Base Address Register 0 (0x010) on page 8-13
0x014	DWord	P0_BAR1	BAR1 - Base Address Register 1 (0x014) on page 8-14
0x018	Byte	P0_PBUSN	PBUSN - Primary Bus Number Register (0x018) on page 8-14
0x019	Byte	P0_SBUSN	SBUSN - Secondary Bus Number Register (0x019) on page 8-14
0x01A	Byte	P0_SUBBUSN	SUBBUSN - Subordinate Bus Number Register (0x01A) on page 8-14
0x01B	Byte	P0_SLTIMER	SLTIMER - Secondary Latency Timer Register (0x01B) on page 8-14
0x01C	Byte	P0_IOBASE	IOBASE - I/O Base Register (0x01C) on page 8-15
0x01D	Byte	P0_IOLIMIT	IOLIMIT - I/O Limit Register (0x01D) on page 8-15
0x01E	Word	P0_SECSTS	SECSTS - Secondary Status Register (0x01E) on page 8-15
0x020	Word	P0_MBASE	MBASE - Memory Base Register (0x020) on page 8-16
0x022	Word	P0_MLIMIT	MLIMIT - Memory Limit Register (0x022) on page 8-16
0x024	Word	P0_PMBASE	PMBASE - Prefetchable Memory Base Register (0x024) on page 8-16
0x026	Word	P0_PMLIMIT	PMLIMIT - Prefetchable Memory Limit Register (0x026) on page 8-17
0x028	DWord	P0_PMBASEU	PMBASEU - Prefetchable Memory Base Upper Register (0x028) on page 8-17
0x02C	DWord	P0_PMLIMITU	PMLIMITU - Prefetchable Memory Limit Upper Register (0x02C) on page 8-17
0x030	Word	P0_IOBASEU	IOBASEU - I/O Base Upper Register (0x030) on page 8-17
0x032	Word	P0_IOLIMITU	IOLIMITU - I/O Limit Upper Register (0x032) on page 8-18
0x034	Byte	P0_CAPPTR	CAPPTR - Capabilities Pointer Register (0x034) on page 8-18
0x038	DWord	P0_EROMBASE	EROMBASE - Expansion ROM Base Address Register (0x038) on page 8-18
0x03C	Byte	P0_INTRLINE	INTRLINE - Interrupt Line Register (0x03C) on page 8-18
0x03D	Byte	P0_INTRPIN	INTRPIN - Interrupt PIN Register (0x03D) on page 8-19
0x03E	Word	P0_BCTL	BCTL - Bridge Control Register (0x03E) on page 8-19
0x040	DWord	P0_PCIECAP	PCIECAP - PCI Express Capability (0x040) on page 8-20
0x044	DWord	P0_PCIEDCAP	PCIEDCAP - PCI Express Device Capabilities (0x044) on page 8-21
0x048	Word	P0_PCIEDCTL	PCIEDCTL - PCI Express Device Control (0x048) on page 8-22
0x04A	Word	P0_PCIEDSTS	PCIEDSTS - PCI Express Device Status (0x04A) on page 8-23
0x04C	DWord	P0_PCIELCAP	PCIELCAP - PCI Express Link Capabilities (0x04C) on page 8-24
0x050	Word	P0_PCIELCTL	PCIELCTL - PCI Express Link Control (0x050) on page 8-25
0x052	Word	P0_PCIELSTS	PCIELSTS - PCI Express Link Status (0x052) on page 8-27
0x064	DWord	P0_PCIEDCAP2	PCIEDCAP2 - PCI Express Device Capabilities 2 (0x064) on page 8-32
0x068	Word	P0_PCIEDCTL2	PCIEDCTL2 - PCI Express Device Control 2 (0x068) on page 8-33

Table 8.2 Upstream Port 0 Configuration Space Registers (Part 2 of 5)

Notes

Cfg. Offset	Size	Register Mnemonic	Register Definition
0x06A	Word	P0_PCIEDSTS2	PCIEDSTS2 - PCI Express Device Status 2 (0x06A) on page 8-33
0x06C	DWord	P0_PCIELCAP2	PCIELCAP2 - PCI Express Link Capabilities 2 (0x06C) on page 8-33
0x070	Word	P0_PCIELCTL2	PCIELCTL2 - PCI Express Link Control 2 (0x070) on page 8-33
0x072	Word	P0_PCIELSTS2	PCIELSTS2 - PCI Express Link Status 2 (0x072) on page 8-35
0x0C0	DWord	P0_PMCAP	PMCAP - PCI Power Management Capabilities (0x0C0) on page 8-36
0x0C4	DWord	P0_PMCSR	PMCSR - PCI Power Management Control and Status (0x0C4) on page 8-37
0x0D0	DWord	P0_MSICAP	MSICAP - Message Signaled Interrupt Capability and Control (0x0D0) on page 8-37
0x0D4	DWord	P0_MSIADDR	MSIADDR - Message Signaled Interrupt Address (0x0D4) on page 8-38
0x0D8	DWord	P0_MSIUADDR	MSIUADDR - Message Signaled Interrupt Upper Address (0x0D8) on page 8-38
0x0DC	DWord	P0_MSIMDATA	MSIMDATA - Message Signaled Interrupt Message Data (0x0DC) on page 8-39
0x0F0	Dword	P0_SSIDSSVIDCAP	SSIDSSVIDCAP - Subsystem ID and Subsystem Vendor ID Capability (0x0F0) on page 8-39
0x0F4	Dword	P0_SSIDSSVID	SSIDSSVID - Subsystem ID and Subsystem Vendor ID (0x0F4) on page 8-39
0x0F8	Dword	P0_ECFGADDR	ECFGADDR - Extended Configuration Space Access Address (0x0F8) on page 8-39
0x0FC	Dword	P0_ECFGDATA	ECFGDATA - Extended Configuration Space Access Data (0x0FC) on page 8-40
0x100	Dword	P0_AERCAP	AERCAP - AER Capabilities (0x100) on page 8-40
0x104	Dword	P0_AERUES	AERUES - AER Uncorrectable Error Status (0x104) on page 8-40
0x108	Dword	P0_AERUEM	AERUEM - AER Uncorrectable Error Mask (0x108) on page 8-41
0x10C	Dword	P0_AERUESV	AERUESV - AER Uncorrectable Error Severity (0x10C) on page 8-44
0x110	Dword	P0_AERCES	AERCES - AER Correctable Error Status (0x110) on page 8-45
0x114	Dword	P0_AERCEM	AERCEM - AER Correctable Error Mask (0x114) on page 8-46
0x118	Dword	P0_AERCTL	AERCTL - AER Control (0x118) on page 8-47
0x11C	Dword	P0_AERHL1DW	AERHL1DW - AER Header Log 1st Doubleword (0x11C) on page 8-47
0x120	Dword	P0_AERHL2DW	AERHL2DW - AER Header Log 2nd Doubleword (0x120) on page 8-47
0x124	Dword	P0_AERHL3DW	AERHL3DW - AER Header Log 3rd Doubleword (0x124) on page 8-48
0x128	Dword	P0_AERHL4DW	AERHL4DW - AER Header Log 4th Doubleword (0x128) on page 8-48
0x180	Dword	P0_SNUMCAP	SNUMCAP - Serial Number Capabilities (0x180) on page 8-48
0x184	Dword	P0_SNUMLDW	SNUMLDW - Serial Number Lower Doubleword (0x184) on page 8-48

Table 8.2 Upstream Port 0 Configuration Space Registers (Part 3 of 5)

Notes

Cfg. Offset	Size	Register Mnemonic	Register Definition
0x188	Dword	P0_SNUMUDW	SNUMUDW - Serial Number Upper Doubleword (0x188) on page 8-48
0x200	DWord	P0_PCIEVCECAP	PCIEVCECAP - PCI Express VC Enhanced Capability Header (0x200) on page 8-49
0x204	DWord	P0_PVCCAP1	PVCCAP1- Port VC Capability 1 (0x204) on page 8-49
0x208	DWord	P0_PVCCAP2	PVCCAP2- Port VC Capability 2 (0x208) on page 8-50
0x20C	Word	P0_PVCCTL	PVCCTL - Port VC Control (0x20C) on page 8-50
0x20E	Word	P0_PVCSTS	PVCSTS - Port VC Status (0x20E) on page 8-50
0x210	DWord	P0_VCR0CAP	VCR0CAP- VC Resource 0 Capability (0x210) on page 8-51
0x214	DWord	P0_VCR0CTL	VCR0CTL- VC Resource 0 Control (0x214) on page 8-51
0x218	DWord	P0_VCR0STS	VCR0STS - VC Resource 0 Status (0x218) on page 8-52
0x220	DWord	P0_VCR0TBL0	VCR0TBL0 - VC Resource 0 Arbitration Table Entry 0 (0x220) on page 8-53
0x224	DWord	P0_VCR0TBL1	VCR0TBL1 - VC Resource 0 Arbitration Table Entry 1 (0x224) on page 8-53
0x228	DWord	P0_VCR0TBL2	VCR0TBL2 - VC Resource 0 Arbitration Table Entry 2 (0x228) on page 8-54
0x22C	DWord	P0_VCR0TBL3	VCR0TBL3 - VC Resource 0 Arbitration Table Entry 3 (0x22C) on page 8-54
0x280	Dword	P0_PWRBCAP	PWRBCAP - Power Budgeting Capabilities (0x280) on page 8-55
0x284	Dword	P0_PWRBSEL	PWRBSEL - Power Budgeting Data Select (0x284) on page 8-55
0x288	Dword	P0_PWRBD	PWRBD - Power Budgeting Data (0x288) on page 8-56
0x28C	Dword	P0_PWRBPBC	PWRBPBC - Power Budgeting Power Budget Capability (0x28C) on page 8-56
0x300	Dword	P0_PWRBDV0	PWRBDV[7:0] - Power Budgeting Data Value [7:0] (0x300 - 0x31C) on page 8-56
0x304	Dword	P0_PWRBDV1	PWRBDV[7:0] - Power Budgeting Data Value [7:0] (0x300 - 0x31C) on page 8-56
0x308	Dword	P0_PWRBDV2	PWRBDV[7:0] - Power Budgeting Data Value [7:0] (0x300 - 0x31C) on page 8-56
0x30C	Dword	P0_PWRBDV3	PWRBDV[7:0] - Power Budgeting Data Value [7:0] (0x300 - 0x31C) on page 8-56
0x310	Dword	P0_PWRBDV4	PWRBDV[7:0] - Power Budgeting Data Value [7:0] (0x300 - 0x31C) on page 8-56
0x314	Dword	P0_PWRBDV5	PWRBDV[7:0] - Power Budgeting Data Value [7:0] (0x300 - 0x31C) on page 8-56
0x318	Dword	P0_PWRBDV6	PWRBDV[7:0] - Power Budgeting Data Value [7:0] (0x300 - 0x31C) on page 8-56
0x31C	Dword	P0_PWRBDV7	PWRBDV[7:0] - Power Budgeting Data Value [7:0] (0x300 - 0x31C) on page 8-56
0x400	DWord	SWSTS	SWSTS - Switch Status (0x400) on page 8-56

Table 8.2 Upstream Port 0 Configuration Space Registers (Part 4 of 5)

Notes

Cfg. Offset	Size	Register Mnemonic	Register Definition
0x404	DWord	SWCTL	SWCTL - Switch Control (0x404) on page 8-57
0x408	DWord	HPCFGCTL	HPCFGCTL - Hot-Plug Configuration Control (0x408) on page 8-60
0x418	DWord	GPIOFUNC	GPIOFUNC - General Purpose I/O Control Function (0x418) on page 8-61
0x41C	DWord	GPIOCFG	GPIOCFG - General Purpose I/O Configuration (0x41C) on page 8-62
0x420	DWord	GPIOD	GPIOD - General Purpose I/O Data (0x420) on page 8-62
0x424	DWord	SMBUSSTS	SMBUSSTS - SMBus Status (0x424) on page 8-62
0x428	DWord	SMBUSCTL	SMBUSCTL - SMBus Control (0x428) on page 8-63
0x42C	DWord	EEPROMINTF	EEPROMINTF - Serial EEPROM Interface (0x42C) on page 8-64
0x430	DWord	IOEXPINTF	IOEXPINTF - I/O Expander Interface (0x430) on page 8-65
0x434	DWord	IOEXPADDR0	IOEXPADDR0 - SMBus I/O Expander Address 0 (0x434) on page 8-66
0x438	DWord	IOEXPADDR1	IOEXPADDR1 - SMBus I/O Expander Address 1 (0x438) on page 8-66
0x450	DWord	GPECTL	GPECTL - General Purpose Event Control (0x450) on page 8-66
0x454	DWord	GPESTS	GPESTS - General Purpose Event Status (0x454) on page 8-67
0x500	Dword	P0_SERDESCCTL	SERDESCCTL- SerDes Control (0x500) on page 8-67
0x530	Dword	P0_PHYLCFG0	PHYLCFG0 - Phy Link Configuration 0 (0x530) on page 8-68
0x538	Dword	P0_PHYLSTS0	PHYLSTS0 - Phy Link Status 0 (0x538) on page 8-69
0x540	Dword	P0_PHYLSTATE0	PHYLSTATE0 - Phy Link State 0 (0x540) on page 8-70
0x55C	Dword	P0_PHYPRBS	PHYPRBS - Phy PRBS Seed (0x55C) on page 8-71
0x560	Dword	P0_ALRCTL	ALRCTL - Autonomous Link Reliability Control (0x560) on page 8-71
0x564	Dword	P0_ALRSTS	ALRSTS - Autonomous Link Reliability Status (0x564) on page 8-72
0x568	Dword	P0_ALRERT	ALRERT - Autonomous Link Reliability Error Rate Threshold (0x568) on page 8-72
0x56C	Dword	P0_ALRCNT	ALRCNT - Autonomous Link Reliability Counter (0x56C) on page 8-73

Table 8.2 Upstream Port 0 Configuration Space Registers (Part 5 of 5)

Downstream Ports

Cfg. Offset	Size	Register Mnemonic	Register Definition
0x000	Word	Px_VID	VID - Vendor Identification Register (0x000) on page 8-10
0x002	Word	Px_DID	DID - Device Identification Register (0x002) on page 8-10
0x004	Word	Px_PCICMD	PCICMD - PCI Command Register (0x004) on page 8-10
0x006	Word	Px_PCISTS	PCISTS - PCI Status Register (0x006) on page 8-11
0x008	Byte	Px_RID	RID - Revision Identification Register (0x008) on page 8-12
0x009	3 Bytes	Px_CC CODE	CCODE - Class Code Register (0x009) on page 8-12

Table 8.3 Downstream Ports 2, 4, and 6 Configuration Space Registers (Part 1 of 5)

Notes

Cfg. Offset	Size	Register Mnemonic	Register Definition
0x00C	Byte	Px_CLS	CLS - Cache Line Size Register (0x00C) on page 8-13
0x00D	Byte	Px_PLTIMER	PLTIMER - Primary Latency Timer (0x00D) on page 8-13
0x00E	Byte	Px_HDR	HDR - Header Type Register (0x00E) on page 8-13
0x00F	Byte	Px_BIST	BIST - Built-in Self Test Register (0x00F) on page 8-13
0x010	DWord	Px_BAR0	BAR0 - Base Address Register 0 (0x010) on page 8-13
0x014	DWord	Px_BAR1	BAR1 - Base Address Register 1 (0x014) on page 8-14
0x018	Byte	Px_PBUSN	PBUSN - Primary Bus Number Register (0x018) on page 8-14
0x019	Byte	Px_SBUSN	SBUSN - Secondary Bus Number Register (0x019) on page 8-14
0x01A	Byte	Px_SUBUSN	SUBUSN - Subordinate Bus Number Register (0x01A) on page 8-14
0x01B	Byte	Px_SLTIMER	SLTIMER - Secondary Latency Timer Register (0x01B) on page 8-14
0x01C	Byte	Px_IOBASE	IOBASE - I/O Base Register (0x01C) on page 8-15
0x01D	Byte	Px_IOLIMIT	IOLIMIT - I/O Limit Register (0x01D) on page 8-15
0x01E	Word	Px_SECSTS	SECSTS - Secondary Status Register (0x01E) on page 8-15
0x020	Word	Px_MBASE	MBASE - Memory Base Register (0x020) on page 8-16
0x022	Word	Px_MLIMIT	MLIMIT - Memory Limit Register (0x022) on page 8-16
0x024	Word	Px_PMBASE	PMBASE - Prefetchable Memory Base Register (0x024) on page 8-16
0x026	Word	Px_PMLIMIT	PMLIMIT - Prefetchable Memory Limit Register (0x026) on page 8-17
0x028	DWord	Px_PMBASEU	PMBASEU - Prefetchable Memory Base Upper Register (0x028) on page 8-17
0x02C	DWord	Px_PMLIMITU	PMLIMITU - Prefetchable Memory Limit Upper Register (0x02C) on page 8-17
0x030	Word	Px_IOBASEU	IOBASEU - I/O Base Upper Register (0x030) on page 8-17
0x032	Word	Px_IOLIMITU	IOLIMITU - I/O Limit Upper Register (0x032) on page 8-18
0x034	Byte	Px_CAPPTR	CAPPTR - Capabilities Pointer Register (0x034) on page 8-18
0x038	DWord	Px_EROMBASE	EROMBASE - Expansion ROM Base Address Register (0x038) on page 8-18
0x03C	Byte	Px_INTRLINE	INTRLINE - Interrupt Line Register (0x03C) on page 8-18
0x03D	Byte	Px_INTRPIN	INTRPIN - Interrupt PIN Register (0x03D) on page 8-19
0x03E	Word	Px_BCTL	BCTL - Bridge Control Register (0x03E) on page 8-19
0x040	DWord	Px_PCIECAP	PCIECAP - PCI Express Capability (0x040) on page 8-20
0x044	DWord	Px_PCIEDCAP	PCIEDCAP - PCI Express Device Capabilities (0x044) on page 8-21
0x048	Word	Px_PCIEDCTL	PCIEDCTL - PCI Express Device Control (0x048) on page 8-22
0x04A	Word	Px_PCIEDSTS	PCIEDSTS - PCI Express Device Status (0x04A) on page 8-23
0x04C	DWord	Px_PCIELCAP	PCIELCAP - PCI Express Link Capabilities (0x04C) on page 8-24
0x050	Word	Px_PCIELCTL	PCIELCTL - PCI Express Link Control (0x050) on page 8-25
0x052	Word	Px_PCIELSTS	PCIELSTS - PCI Express Link Status (0x052) on page 8-27

Table 8.3 Downstream Ports 2, 4, and 6 Configuration Space Registers (Part 2 of 5)

Notes

Cfg. Offset	Size	Register Mnemonic	Register Definition
0x054	DWord	Px_PCIECAP	PCIECAP - PCI Express Slot Capabilities (0x054) on page 8-28
0x058	Word	Px_PCIECTL	PCIECTL - PCI Express Slot Control (0x058) on page 8-30
0x05A	Word	Px_PCIESTS	PCIESTS - PCI Express Slot Status (0x05A) on page 8-31
0x064	DWord	Px_PCIECAP2	PCIECAP2 - PCI Express Device Capabilities 2 (0x064) on page 8-32
0x068	Word	Px_PCIECTL2	PCIECTL2 - PCI Express Device Control 2 (0x068) on page 8-33
0x06A	Word	Px_PCIESTS2	PCIESTS2 - PCI Express Device Status 2 (0x06A) on page 8-33
0x06C	DWord	Px_PCIECAP2	PCIECAP2 - PCI Express Link Capabilities 2 (0x06C) on page 8-33
0x070	Word	Px_PCIECTL2	PCIECTL2 - PCI Express Link Control 2 (0x070) on page 8-33
0x072	Word	Px_PCIESTS2	PCIESTS2 - PCI Express Link Status 2 (0x072) on page 8-35
0x074	DWord	Px_PCIECAP2	PCIECAP2 - PCI Express Slot Capabilities 2 (0x074) on page 8-35
0x078	Word	Px_PCIECTL2	PCIECTL2 - PCI Express Slot Control 2 (0x078) on page 8-35
0x07A	Word	Px_PCIESTS2	PCIESTS2 - PCI Express Slot Status 2 (0x07A) on page 8-36
0x0C0	DWord	Px_PMCAP	PMCAP - PCI Power Management Capabilities (0x0C0) on page 8-36
0x0C4	DWord	Px_PMCSR	PMCSR - PCI Power Management Control and Status (0x0C4) on page 8-37
0x0D0	DWord	Px_MSICAP	MSICAP - Message Signaled Interrupt Capability and Control (0x0D0) on page 8-37
0x0D4	DWord	Px_MSIADDR	MSIADDR - Message Signaled Interrupt Address (0x0D4) on page 8-38
0x0D8	DWord	Px_MSUIADDR	MSUIADDR - Message Signaled Interrupt Upper Address (0x0D8) on page 8-38
0x0DC	DWord	Px_MSIMDATA	MSIMDATA - Message Signaled Interrupt Message Data (0x0DC) on page 8-39
0x0F0	Dword	Px_SSIDSSVIDCAP	SSIDSSVIDCAP - Subsystem ID and Subsystem Vendor ID Capability (0x0F0) on page 8-39
0x0F4	Dword	Px_SSIDSSVID	SSIDSSVID - Subsystem ID and Subsystem Vendor ID (0x0F4) on page 8-39
0x0F8	Dword	Px_ECFGADDR	ECFGADDR - Extended Configuration Space Access Address (0x0F8) on page 8-39
0x0FC	Dword	Px_ECFGDATA	ECFGDATA - Extended Configuration Space Access Data (0x0FC) on page 8-40
0x100	Dword	Px_AERCAP	AERCAP - AER Capabilities (0x100) on page 8-40
0x104	Dword	Px_AERUES	AERUES - AER Uncorrectable Error Status (0x104) on page 8-40
0x108	Dword	Px_AERUEM	AERUEM - AER Uncorrectable Error Mask (0x108) on page 8-41
0x10C	Dword	Px_AERUESV	AERUESV - AER Uncorrectable Error Severity (0x10C) on page 8-44
0x110	Dword	Px_AERCES	AERCES - AER Correctable Error Status (0x110) on page 8-45
0x114	Dword	Px_AERCEM	AERCEM - AER Correctable Error Mask (0x114) on page 8-46
0x118	Dword	Px_AERCTL	AERCTL - AER Control (0x118) on page 8-47

Table 8.3 Downstream Ports 2, 4, and 6 Configuration Space Registers (Part 3 of 5)

Notes

Cfg. Offset	Size	Register Mnemonic	Register Definition
0x11C	Dword	Px_AERHL1DW	AERHL1DW - AER Header Log 1st Doubleword (0x11C) on page 8-47
0x120	Dword	Px_AERHL2DW	AERHL2DW - AER Header Log 2nd Doubleword (0x120) on page 8-47
0x124	Dword	Px_AERHL3DW	AERHL3DW - AER Header Log 3rd Doubleword (0x124) on page 8-48
0x128	Dword	Px_AERHL4DW	AERHL4DW - AER Header Log 4th Doubleword (0x128) on page 8-48
0x180	Dword	Px_SNUMCAP	SNUMCAP - Serial Number Capabilities (0x180) on page 8-48
0x184	Dword	Px_SNUMLDW	SNUMLDW - Serial Number Lower Doubleword (0x184) on page 8-48
0x188	Dword	Px_SNUMUDW	SNUMUDW - Serial Number Upper Doubleword (0x188) on page 8-48
0x200	DWord	Px_PCIEVCECAP	PCIEVCECAP - PCI Express VC Enhanced Capability Header (0x200) on page 8-49
0x204	DWord	Px_PVCCAP1	PVCCAP1- Port VC Capability 1 (0x204) on page 8-49
0x208	DWord	Px_PVCCAP2	PVCCAP2- Port VC Capability 2 (0x208) on page 8-50
0x20C	Word	Px_PVCCTL	PVCCTL - Port VC Control (0x20C) on page 8-50
0x20E	Word	Px_PVCSTS	PVCSTS - Port VC Status (0x20E) on page 8-50
0x210	DWord	Px_VCR0CAP	VCR0CAP- VC Resource 0 Capability (0x210) on page 8-51
0x214	DWord	Px_VCR0CTL	VCR0CTL- VC Resource 0 Control (0x214) on page 8-51
0x218	DWord	Px_VCR0STS	VCR0STS - VC Resource 0 Status (0x218) on page 8-52
0x280	Dword	Px_PWRBCAP	PWRBCAP - Power Budgeting Capabilities (0x280) on page 8-55
0x284	Dword	Px_PWRBDSEL	PWRBDSEL - Power Budgeting Data Select (0x284) on page 8-55
0x288	Dword	Px_PWRBD	PWRBD - Power Budgeting Data (0x288) on page 8-56
0x28C	Dword	Px_PWRBPBC	PWRBPBC - Power Budgeting Power Budget Capability (0x28C) on page 8-56
0x300	Dword	Px_PWRBDV0	PWRBDV[7:0] - Power Budgeting Data Value [7:0] (0x300 - 0x31C) on page 8-56
0x304	Dword	Px_PWRBDV1	PWRBDV[7:0] - Power Budgeting Data Value [7:0] (0x300 - 0x31C) on page 8-56
0x308	Dword	Px_PWRBDV2	PWRBDV[7:0] - Power Budgeting Data Value [7:0] (0x300 - 0x31C) on page 8-56
0x30C	Dword	Px_PWRBDV3	PWRBDV[7:0] - Power Budgeting Data Value [7:0] (0x300 - 0x31C) on page 8-56
0x310	Dword	Px_PWRBDV4	PWRBDV[7:0] - Power Budgeting Data Value [7:0] (0x300 - 0x31C) on page 8-56
0x314	Dword	Px_PWRBDV5	PWRBDV[7:0] - Power Budgeting Data Value [7:0] (0x300 - 0x31C) on page 8-56
0x318	Dword	Px_PWRBDV6	PWRBDV[7:0] - Power Budgeting Data Value [7:0] (0x300 - 0x31C) on page 8-56

Table 8.3 Downstream Ports 2, 4, and 6 Configuration Space Registers (Part 4 of 5)

Notes

Cfg. Offset	Size	Register Mnemonic	Register Definition
0x31C	Dword	Px_PWRBDV7	PWRBDV[7:0] - Power Budgeting Data Value [7:0] (0x300 - 0x31C) on page 8-56
0x500	Dword	Px_SERDESCCTL	SERDESCCTL - SerDes Control (0x500) on page 8-67
0x530	Dword	Px_PHYLCFG0	PHYLCFG0 - Phy Link Configuration 0 (0x530) on page 8-68
0x538	Dword	Px_PHYLSTS0	PHYLSTS0 - Phy Link Status 0 (0x538) on page 8-69
0x540	Dword	Px_PHYLSTATE0	PHYLSTATE0 - Phy Link State 0 (0x540) on page 8-70
0x55C	Dword	Px_PHYPRBS	PHYPRBS - Phy PRBS Seed (0x55C) on page 8-71
0x560	Dword	Px_ALRCTL	ALRCTL - Autonomous Link Reliability Control (0x560) on page 8-71
0x564	Dword	Px_ALRSTS	ALRSTS - Autonomous Link Reliability Status (0x564) on page 8-72
0x568	Dword	Px_ALRERT	ALRERT - Autonomous Link Reliability Error Rate Threshold (0x568) on page 8-72
0x56C	Dword	Px_ALRCNT	ALRCNT - Autonomous Link Reliability Counter (0x56C) on page 8-73

Table 8.3 Downstream Ports 2, 4, and 6 Configuration Space Registers (Part 5 of 5)

Register Definitions

Type 1 Configuration Header Registers

VID - Vendor Identification Register (0x000)

Bit Field	Field Name	Type	Default Value	Description
15:0	VID	RO	0x111D	Vendor Identification. This field contains the 16-bit vendor ID value assigned to IDT. See section Vendor ID on page 1-4.

DID - Device Identification Register (0x002)

Bit Field	Field Name	Type	Default Value	Description
15:0	DID	RO	-	Device Identification. This field contains the 16-bit device ID assigned by IDT to this bridge. See section Device ID on page 1-5.

PCICMD - PCI Command Register (0x004)

Bit Field	Field Name	Type	Default Value	Description
0	IOAE	RW	0x0	I/O Access Enable. When this bit is cleared, the bridge does not respond to I/O accesses from the primary bus specified by IOBASE and IOLIMIT. 0x0 - (disable) Disable I/O space. 0x1 - (enable) Enable I/O space.

Notes

Bit Field	Field Name	Type	Default Value	Description
1	MAE	RW	0x0	Memory Access Enable. When this bit is cleared, the bridge does not respond to memory and prefetchable memory space access from the primary bus specified by MBASE, MLIMIT, PMBASE and PMLIMIT. 0x0 - (disable) Disable memory space. 0x1 - (enable) Enable memory space.
2	BME	RW	0x0	Bus Master Enable. When this bit is cleared, the bridge does not issue requests (e.g., memory, I/O and MSIs since they are in-band writes) on behalf of subordinate devices and handles these as Unsupported Requests (UR). Additionally, the bridge handles non-posted transactions in the upstream direction with a Unsupported Request (UR) completion. This bit does not affect completions in either direction or the forwarding of non memory or I/O requests. 0x0 - (disable) Disable request forwarding. 0x1 - (enable) Enable request forwarding.
3	SSE	RO	0x0	Special Cycle Enable. Not applicable.
4	MWI	RO	0x0	Memory Write Invalidate. Not applicable.
5	VGAS	RO	0x0	VGA Palette Snoop. Not applicable.
6	PERRE	RW	0x0	Parity Error Enable. Not applicable.
7	ADSTEP	RO	0x0	Address Data Stepping. Not applicable.
8	SERRE	RW	0x0	SERR Enable. Non-fatal and fatal errors detected by the bridge are reported to the Root Complex when this bit is set or the bits in the PCI Express Device Control register are set (see PCIEDCTL - PCI Express Device Control (0x048)). In addition, when this bit is set it enables the forwarding of ERR_NONFATAL and ERR_FATAL error messages from the secondary to the primary interface. ERR_COR messages are unaffected by this bit and are always forwarded. 0x0 - (disable) Disable non-fatal and fatal error reporting if also disabled in Device Control register. 0x1 - (enable) Enable non-fatal and fatal error reporting.
9	FB2B	RO	0x0	Fast Back-to-Back Enable. Not applicable.
10	INTXD	RW	0x0	INTx Disable. Controls the ability of the PCI-PCI bridge to generate an INTx interrupt message. When this bit is set, any interrupts generated by this bridge are negated. This may result in a change in the resolved interrupt state of the bridge. This bit has no effect on interrupts forwarded from the secondary to the primary interface.
15:11	Reserved	RO	0x0	Reserved field.

PCISTS - PCI Status Register (0x006)

Bit Field	Field Name	Type	Default Value	Description
2:0	Reserved	RO	0x0	Reserved.

Notes

Bit Field	Field Name	Type	Default Value	Description
3	INTS	RO	0x0	INTx Status. This bit is set when an INTx interrupt is pending from the device. INTx emulation interrupts forwarded by switch ports from devices downstream of the bridge are not reflected in this bit. For downstream ports, this bit is set if an interrupt has been "asserted" by the corresponding port's hot-plug controller. For upstream ports, this bit is set if internal memory error is detected and the memory error reporting is not masked.
4	CAPL	RO	0x1	Capabilities List. This bit is hardwired to one to indicate that the bridge implements an extended capability list item.
5	C66MHZ	RO	0x0	66 MHz Capable. Not applicable.
6	Reserved	RO	0x0	Reserved.
7	FB2B	RO	0x0	Fast Back-to-Back (FB2B). Not applicable.
8	MDPED	RO	0x0	Master Data Parity Error Detected. Not applicable.
10:9	DEVT	RO	0x0	DEVSEL# Timing. Not applicable.
11	STAS	RO	0x0	Signalled Target Abort. Not applicable since a target abort is never signalled.
12	RTAS	RO	0x0	Received Target Abort. Not applicable.
13	RMAS	RO	0x0	Received Master Abort. Not applicable.
14	SSE	RW1C	0x0	Signalled System Error. This bit is set when the bridge sends a ERR_FATAL or ERR_NONFATAL message and the SERR Enable (SERRE) bit is set in the PCICMD register. 0x0 - (noerror) no error. 0x1 - (error) This bit is set when a fatal or non-fatal error is signalled.
15	DPE	RW1C	0x0	Detected Parity Error. This bit is set by the bridge whenever it receives a poisoned TLP on the primary side regardless of the state of the PERRE bit in the PCI Command register.

RID - Revision Identification Register (0x008)

Bit Field	Field Name	Type	Default Value	Description
7:0	RID	RWL	-	Revision ID. This field contains the revision identification number for the device. See section Revision ID on page 1-5.

CCODE - Class Code Register (0x009)

Bit Field	Field Name	Type	Default Value	Description
7:0	INTF	RO	0x00	Interface. This value indicates that the device is a PCI-PCI bridge that does not support subtractive decode.

Notes

Bit Field	Field Name	Type	Default Value	Description
15:8	SUB	RO	0x04	Sub Class Code. This value indicates that the device is a PCI-PCI bridge.
23:16	BASE	RO	0x06	Base Class Code. This value indicates that the device is a bridge.

CLS - Cache Line Size Register (0x00C)

Bit Field	Field Name	Type	Default Value	Description
7:0	CLS	RW	0x00	Cache Line Size. This field has no effect on the bridge's functionality but may be read and written by software. This field is implemented for compatibility with legacy software.

PLTIMER - Primary Latency Timer (0x00D)

Bit Field	Field Name	Type	Default Value	Description
7:0	PLTIMER	RO	0x00	Primary Latency Timer. Not applicable.

HDR - Header Type Register (0x00E)

Bit Field	Field Name	Type	Default Value	Description
7:0	HDR	RO	0x01	Header Type. This value indicates a type 1 header with a single function bridge layout.

BIST - Built-in Self Test Register (0x00F)

Bit Field	Field Name	Type	Default Value	Description
7:0	BIST	RO	0x0	BIST. This value indicates that the bridge does not implement BIST.

BAR0 - Base Address Register 0 (0x010)

Bit Field	Field Name	Type	Default Value	Description
31:0	BAR	RO	0x0	Base Address Register. Not applicable.

Notes

BAR1 - Base Address Register 1 (0x014)

Bit Field	Field Name	Type	Default Value	Description
31:0	BAR	RO	0x0	Base Address Register. Not applicable.

PBUSN - Primary Bus Number Register (0x018)

Bit Field	Field Name	Type	Default Value	Description
7:0	PBUSN	RW	0x0	Primary Bus Number. This field is used to record the bus number of the PCI bus segment to which the primary interface of the bridge is connected. This field has no functional effect within the PES24T3G2 but is implemented as a read/write register for software compatibility

SBUSN - Secondary Bus Number Register (0x019)

Bit Field	Field Name	Type	Default Value	Description
7:0	SBUSN	RW	0x0	Secondary Bus Number. This field is used to record the bus number of the PCI bus segment to which the secondary interface of the bridge is connected.

SUBUSN - Subordinate Bus Number Register (0x01A)

Bit Field	Field Name	Type	Default Value	Description
7:0	SUBUSN	RW	0x0	Subordinate Bus Number. The Subordinate Bus Number register is used to record the bus number of the highest numbered PCI bus segment which is behind (or subordinate to) the bridge.

SLTIMER - Secondary Latency Timer Register (0x01B)

Bit Field	Field Name	Type	Default Value	Description
7:0	SLTIMER	RO	0x0	Secondary Latency Timer. Not applicable.

Notes

IOBASE - I/O Base Register (0x01C)

Bit Field	Field Name	Type	Default Value	Description
0	IOCAP	RWL	0x1	I/O Capability. Indicates if the bridge supports 16-bit or 32-bit I/O addressing. 0x0 - (io16) 16-bit I/O addressing. 0x1 - (io32) 32-bit I/O addressing.
3:1	Reserved	RO	0x0	Reserved field.
7:4	IOBASE	RW	0xF	I/O Base. The IOBASE and IOLIMIT registers are used to control the forwarding of I/O transactions between the primary and secondary interfaces of the bridge. This field contains A[15:12] of the lowest I/O address aligned on a 4KB boundary that is below the primary interface of the bridge.

IOLIMIT - I/O Limit Register (0x01D)

Bit Field	Field Name	Type	Default Value	Description
0	IOCAP	RO	0x1	I/O Capability. Indicates if the bridge supports 16-bit or 32-bit I/O addressing. This bit always reflects the value of the IOCAP field in the IOBASE register.
3:1	Reserved	RO	0x0	Reserved field.
7:4	IOLIMIT	RW	0x0	I/O Limit. The IOBASE and IOLIMIT registers are used to control the forwarding of I/O transactions between the primary and secondary interfaces of the bridge. This field contains A[15:12] of the highest I/O address, with A[11:0] assumed to be 0xFFF, that is below the primary interface of the bridge.

SECSTS - Secondary Status Register (0x01E)

Bit Field	Field Name	Type	Default Value	Description
7:0	Reserved	RO	0x0	Reserved field.
8	MDPED	RO	0x0	Master Data Parity Error. Not applicable.
10:9	DVSEL	RO	0x0	Not applicable.
11	STAS	RO	0x0	Signalled Target Abort Status. Not applicable.
12	RTAS	RO	0x0	Received Target Abort Status. Not applicable.
13	RMAS	RO	0x0	Received Master Abort Status. Not applicable.
14	RSE	RW1C	0x0	Received System Error. This bit is controlled by the SERR enable bit in the Bridge Control (BCTL) register. If the SERRE bit is cleared in BCTL, then this bit is never set. Otherwise, this bit is set if the secondary side of the bridge receives an ERR_FATAL or ERR_NONFATAL message.

Notes

Bit Field	Field Name	Type	Default Value	Description
15	DPE	RW1C	0x0	Detected Parity Error. This bit is set by the bridge whenever it receives a poisoned TLP on the secondary side regardless of the state of the PERRE bit in the PCI Command register

MBASE - Memory Base Register (0x020)

Bit Field	Field Name	Type	Default Value	Description
3:0	Reserved	RO	0x0	Reserved field.
15:4	MBASE	RW	0xFFF	Memory Address Base. The MBASE and MLIMIT registers are used to control the forwarding of non-prefetchable transactions between the primary and secondary interfaces of the bridge. This field contains A[31:20] of the lowest address aligned on a 1MB boundary that is below the primary interface of the bridge.

MLIMIT - Memory Limit Register (0x022)

Bit Field	Field Name	Type	Default Value	Description
3:0	Reserved	RO	0x0	Reserved field.
15:4	MLIMIT	RW	0x0	Memory Address Limit. The MBASE and MLIMIT registers are used to control the forwarding of non-prefetchable transactions between the primary and secondary interfaces of the bridge. This field contains A[31:20] of the highest address, with A[19:0] assumed to be 0xF_FFFF, that is below the primary interface of the bridge.

PMBASE - Prefetchable Memory Base Register (0x024)

Bit Field	Field Name	Type	Default Value	Description
0	PMCAP	RWL	0x1	Prefetchable Memory Capability. Indicates if the bridge supports 32-bit or 64-bit prefetchable memory addressing. 0x0 - (prefmem32) 32-bit prefetchable memory addressing. 0x1 - (prefmem64) 64-bit prefetchable memory addressing.
3:1	Reserved	RO	0x0	Reserved field.
15:4	PMBASE	RW	0xFFF	Prefetchable Memory Address Base. The PMBASE, PMBASEU, PMLIMIT and PMLIMITU registers are used to control the forwarding of prefetchable transactions between the primary and secondary interfaces of the bridge. This field contains A[31:20] of the lowest memory address aligned on a 1MB boundary that is below the primary interface of the bridge. PMBASEU specifies the remaining bits.

Notes

PMLIMIT - Prefetchable Memory Limit Register (0x026)

Bit Field	Field Name	Type	Default Value	Description
0	PMCAP	RO	0x1	Prefetchable Memory Capability. Indicates if the bridge supports 32-bit or 64-bit prefetchable memory addressing. This bit always reflects the value in the PMCAP field in the PMBASE register.
3:1	Reserved	RO	0x0	Reserved field.
15:4	PMLIMIT	RW	0x0	Prefetchable Memory Address Limit. The PMBASE, PMBASEU, PMLIMIT and PMLIMITU registers are used to control the forwarding of prefetchable transactions between the primary and secondary interfaces of the bridge. This field contains A[31:20] of the highest memory address, with A[19:0] assumed to be 0xF_FFFF, that is below the primary interface of the bridge. PMLIMITU specifies the remaining bits

PMBASEU - Prefetchable Memory Base Upper Register (0x028)

Bit Field	Field Name	Type	Default Value	Description
31:0	PMBASEU	RW	0xFFFF_FFF F	Prefetchable Memory Address Base Upper. This field specifies the upper 32-bits of PMBASE when 64-bit addressing is used. When the PMCAP field in the PMBASE register is cleared, this field becomes read-only with a value of zero.

PMLIMITU - Prefetchable Memory Limit Upper Register (0x02C)

Bit Field	Field Name	Type	Default Value	Description
31:0	PMLIMITU	RW	0x0	Prefetchable Memory Address Limit Upper. This field specifies the upper 32-bits of PMLIMIT. When the PMCAP field in the PMBASE register is cleared, this field becomes read-only with a value of zero.

IOBASEU - I/O Base Upper Register (0x030)

Bit Field	Field Name	Type	Default Value	Description
15:0	IOBASEU	RW	0xFFFF	I/O Address Base Upper. This field specifies the upper 16-bits of IOBASE. When the IOCAP field in the IOBASE register is cleared, this field becomes read-only with a value of zero.

Notes

IOLIMITU - I/O Limit Upper Register (0x032)

Bit Field	Field Name	Type	Default Value	Description
15:0	IOLIMITU	RW	0x0	Prefetchable IO Limit Upper. This field specifies the upper 16-bits of IOLIMIT. When the IOCAP field in the IOBASE register is cleared, this field becomes read-only with a value of zero.

CAPPTR - Capabilities Pointer Register (0x034)

Bit Field	Field Name	Type	Default Value	Description
7:0	CAPPTR	RWL	0x40	Capabilities Pointer. This field specifies a pointer to the head of the capabilities structure.

EROMBASE - Expansion ROM Base Address Register (0x038)

Bit Field	Field Name	Type	Default Value	Description
31:0	EROMBASE	RO	0x0	Expansion ROM Base Address. The bridge does not implement an expansion ROM. Thus, this field is hardwired to zero.

INTRLINE - Interrupt Line Register (0x03C)

Bit Field	Field Name	Type	Default Value	Description
7:0	INTRLINE	RW	0x0	Interrupt Line. This register communicates interrupt line routing information. Values in this register are programmed by system software and are system architecture specific. The bridge does not use the value in this register. Legacy interrupts may be implemented by downstream ports.

Notes

INTRPIN - Interrupt PIN Register (0x03D)

Bit Field	Field Name	Type	Default Value	Description
7:0	INTRPIN	RWL	0x0	<p>Interrupt Pin. Interrupt pin or legacy interrupt messages are not used by the bridge by default. However, they can be used for hot-plug by the downstream ports and to report memory errors by the upstream port.</p> <p>This field should only be configured with values of 0x0 through 0x4. The PES24T3G2 bridges may only be configured to generate INTA interrupts. Therefore, correct values for this field are only 0x0 and 0x1.</p> <p>0x0 - (none) Bridge does not generate any interrupts. 0x1 - (INTA) Bridge generates INTA interrupts. 0x2 - (INTB) Bridge generates INTB interrupts. 0x3 - (INTC) Bridge generates INTC interrupts. 0x4 - (INTD) Bridge generates INTD interrupts.</p>

BCTL - Bridge Control Register (0x03E)

Bit Field	Field Name	Type	Default Value	Description
0	PERRE	RW	0x0	Parity Error Response Enable. Not applicable.
1	SERRE	RW	0x0	<p>System Error Enable. This bit controls forwarding of ERR_COR, ERR_NONFATAL, ERR_FATAL from the secondary interface of the bridge to the primary interface.</p> <p>Note that error reporting must be enabled in the Command register or PCI Express Capability structure, Device Control register for errors to be reported on the primary interface.</p> <p>0x0 - (ignore) Do not forward errors from the secondary to the primary interface. 0x1 - (report) Enable forwarding of errors from secondary to the primary interface.</p>
2	ISAEN	RW	0x0	<p>ISA Enable. This bit controls the routing of ISA I/O transactions.</p> <p>0 - (disable) Forward downstream all I/O addresses in the address range defined by the I/O base and I/O limit registers 1 - (enable) Forward upstream ISA I/O addresses in the address range defined by the I/O base and I/O limit registers that are in the first 64 KB of PCI I/O address space (top 768 bytes of each 1-KB block)</p>
3	VGAEN	RW	0x0	<p>VGA Enable. Controls the routing of processor-initiated transactions targeting VGA.</p> <p>0 - (block) Do not forward VGA compatible addresses from the primary interface to the secondary interface 1 - (forward) Forward VGA compatible addresses from the primary to the secondary interface.</p>

Notes

Bit Field	Field Name	Type	Default Value	Description
4	VGA16EN	RW	0x0	VGA 16-bit Enable. This bit only has an effect when the VGAEN bit is set in this register. This read/write bit enables system configuration software to select between 10-bit and 16-bit I/O space decoding for VGA transactions. 0 - (bit10) Perform 10-bit decoding. I/O space aliasing occurs in this mode. 1 - (bit16) Perform 16-bit decoding. No I/O space aliasing occurs in this mode.
5	Reserved	RO	0x0	Reserved field.
6	SRESET	RW	0x0	Secondary Bus Reset. Setting this bit triggers a secondary bus reset. In the upstream port, setting this bit initiates a Upstream Secondary Bus Reset. In a downstream port, setting this bit initiates a Downstream Secondary Bus Reset. Port Configuration Registers must not be changed except as required to update port status.
15:7	Reserved	RO	0x0	Reserved field.

PCI Express Capability Structure

PCIECAP - PCI Express Capability (0x040)

Bit Field	Field Name	Type	Default Value	Description
7:0	CAPID	RO	0x10	Capability ID. The value of 0x10 identifies this capability as a PCI Express capability structure.
15:8	NXTPTR	RWL	0xC0	Next Pointer. This field contains a pointer to the next capability structure.
19:16	VER	RWL	0x2	PCI Express Capability Version. This field indicates the PCI-SIG defined PCI Express capability structure version number. The PES24T3G2 is compliant with the Express Capabilities Register Expansion ECN.
23:20	TYPE	RO	Upstream: 0x5 Downstream: 0x6	Port Type. This field identifies the type of switch port (upstream or downstream).
24	SLOT	RWL	0x0	Slot Implemented. This bit is set when the PCI Express link associated with this Port is connected to a slot. This field does not apply to an upstream port and should be set to zero.
29:25	IMN	RO	0x0	Interrupt Message Number. The function is allocated only one MSI. Therefore, this field is set to zero.
31:30	Reserved	RO	0x0	Reserved field.

Notes

PCIEDCAP - PCI Express Device Capabilities (0x044)

Bit Field	Field Name	Type	Default Value	Description
2:0	MPAYLOAD	RWL	HWINIT	Maximum Payload Size Supported. This field indicates the maximum payload size that the device can support for TLPs. For all bond options the default value is 0x4 which corresponds to 2048 bytes.
4:3	PFS	RO	0x0	Phantom Functions Supported. This field indicates the support for unclaimed function number to extend the number of outstanding transactions allowed by logically combining unclaimed function numbers. The value is hardwired to 0x0 to indicate that no function number bits are used for phantom functions.
5	ETAG	RWL	0x1	Extended Tag Field Support. This field indicates the maximum supported size of the Tag field as a requester.
8:6	E0AL	RO	0x0	Endpoint L0s Acceptable Latency. This field indicates the acceptable total latency that an endpoint can withstand due to transition from the L0s state to the L0 state. The value is hardwired to 0x0 as this field does not apply to a switch.
11:9	E1AL	RO	0x0	Endpoint L1 Acceptable Latency. This field indicates the acceptable total latency that an endpoint can withstand due to transition from the L1 state to the L0 state. The value is hardwired to 0x0 as this field does not apply to a switch.
12	ABP	RO	0x0	Attention Button Present. In PCIe base 1.0a when set, this bit indicates that an Attention Button is implemented on the card/module. The value of this field is undefined in PCIe base 1.1
13	AIP	RO	0x0	Attention Indicator Present. In PCIe base 1.0a when set, this bit indicates that an Attention Indicator is implemented on the card/module. The value of this field is undefined in PCIe base 1.1
14	PIP	RO	0x0	Power Indicator Present. In PCIe base 1.0a when set, this bit indicates that a Power Indicator is implemented on the card/module. The value of this field is undefined in PCIe base 1.1
15	RBERR	RO	0x1	Role Based Error Reporting. This bit is set to indicate that the PES24T3G2 supports error reporting as defined in the PCIe base 1.1 specification.
17:16	Reserved	RO	0x0	Reserved.
25:18	CSPLV	RO	0x0	Captured Slot Power Limit Value. This field in combination with the Slot Power Limit Scale value, specifies the upper limit on power supplied by the slot. Power limit (in Watts) calculated by multiplying the value in this field by the value in the Slot Power Limit Scale field. The value of this field is set by a Set_Slot_Power_Limit Message and is only applicable for the upstream port. This field is always zero in downstream ports.

Notes

Bit Field	Field Name	Type	Default Value	Description
27:26	CSPLS	RO	0x0	Captured Slot Power Limit Scale. This field specifies the scale used for the Slot Power Limit Value. The value of this field is set by a Set_Slot_Power_Limit Message and is only applicable for the upstream port. This field is always zero in downstream ports. 0 - (v1) 1.0x 1 - (v1p1) 0.1x 2 - (v0p01) 0.01x 3 - (v0p001x) 0.001x
31:28	Reserved	RO	0x0	Reserved field.

PCIEDCTL - PCI Express Device Control (0x048)

Bit Field	Field Name	Type	Default Value	Description
0	CEREN	RW	0x0	Correctable Error Reporting Enable. This bit controls reporting of correctable errors.
1	NFEREN	RW	0x0	Non-Fatal Error Reporting Enable. This bit controls reporting of non-fatal errors.
2	FEREN	RW	0x0	Fatal Error Reporting Enable. This bit controls reporting of fatal errors.
3	URREN	RW	0x0	Unsupported Request Reporting Enable. This bit controls reporting of unsupported requests.
4	ERO	RO	0x0	Enable Relaxed Ordering. When set, this bit enables relaxed ordering. This bit is not applicable to the switch, since the switch never sets the relaxed ordering bit in transactions it initiates as a requester. Therefore, this bit is hardwired to 0x0.
7:5	MPS	RW	0x0	Max Payload Size. This field sets maximum TLP payload size for the device. This field should be set to a value less than that advertised by the Maximum Payload Size Supported (MPAYLOAD) field in the PCI Express Device Capabilities (PCIEDCAP) register. Setting this field to a value larger than that advertised in the MPAYLOAD field produces undefined results. 0x0 - (s128) 128 bytes max payload size 0x1 - (s256) 256 bytes max payload size 0x2 - (s512) 512 bytes max payload size 0x3 - (s1024) 1024 bytes max payload size 0x4 - (s2048) 2048 bytes max payload size 0x5 - (s4096) 4096 bytes max payload size 0x6 - reserved (treated as 128 bytes) 0x7 - reserved (treated as 128 bytes)
8	ETFEN	RW	0x0	Extended Tag Field Enable. Since the bridge never generates a transaction that requires a completion, this bit has no functional effect on the device during normal operation. To aid in debug, when the SEQTAG field is set in the TLCTL register, this field controls whether tags are generated in the range from 0 through 31 or from 0 through 255.

Notes

Bit Field	Field Name	Type	Default Value	Description
9	PFEN	RO	0x0	Phantom Function Enable. The bridge does not support phantom function numbers. Therefore, this field is hardwired to zero.
10	AUXPMEN	RO	0x0	Auxiliary Power PM Enable. The device does not implement this capability.
11	ENS	RO	0x0	Enable No Snoop. The bridge does not generate transactions with the No Snoop bit set and passes transactions through the bridge with the No Snoop bit unmodified.
14:12	MRRS	RO	0x0	Maximum Read Request Size. The bridge does not generate transactions larger than 128 bytes and passes transactions through the bridge with the size unmodified. Therefore, this field has no functional effect on the behavior of the bridge.
15	Reserved	RO	0x0	Reserved field.

PCIEDSTS - PCI Express Device Status (0x04A)

Bit Field	Field Name	Type	Default Value	Description
0	CED	RW1C	0x0	Correctable Error Detected. This bit indicates the status of correctable errors. Errors are logged in this register regardless of whether error reporting is enabled or not.
1	NFED	RW1C	0x0	Non-Fatal Error Detected. This bit indicates the status of correctable errors. Errors are logged in this register regardless of whether error reporting is enabled or not.
2	FED	RW1C	0x0	Fatal Error Detected. This bit indicates the status of Fatal errors. Errors are logged in this registers regardless of whether error reporting is enabled or not.
3	URD	RW1C	0x0	Unsupported Request Detected. This bit indicates the device received an Unsupported Request. Errors are logged in this register regardless of whether error reporting is enabled or not.
4	AUXPD	RO	0x0	Aux Power Detected. Devices that require AUX power, set this bit when AUX power is detected. This device does not require AUX power, hence the value is hardwired to zero.
5	TP	RO	0x0	Transactions Pending. The bridge does not issue Non-Posted Requests on its own behalf. Therefore, this field is hardwired to zero.
15:6	Reserved	RO	0x0	Reserved field.

Notes

PCIELCAP - PCI Express Link Capabilities (0x04C)

Bit Field	Field Name	Type	Default Value	Description
3:0	MAXLNKSPD	RO	0x2	Maximum Link Speed. This field indicates the supported link speeds of the port. 1 - (gen1) 2.5 Gbps 2 - (gen2) 5 Gbps others - reserved The initial value of this field is always 0x2 for the upstream and downstream ports.
9:4	MAXLNK-WIDTH	RWL	HWINIT	Maximum Link Width. This field indicates the maximum link width of the given PCI Express link. This field may be overridden to allow the link width to be forced to a smaller value. Setting this field to an invalid or reserved value is allowed, and results in the port operating at its default (i.e., initial) value. The value written to this field is never modified by hardware. The initial value of this field is x8. 0 - reserved 1 - (x1) x1 link width 2 - (x2) x2 link width 4 - (x4) x4 link width 8 - (x8) x8 link width others - reserved
11:10	ASPMS	RWL	0x3	Active State Power Management (ASPM) Support. This default value of this field is 0x3 to indicate that L0s and L1 are supported.
14:12	LOSEL	RWL	0x6	L0s Exit Latency. This field indicates the L0s exit latency for the given PCI Express link.
17:15	L1EL	RWL	0x2	L1 Exit Latency. This field indicates the L1 exit latency for the given PCI Express link. Transitioning from L1 to L0 always requires 2.3 μ s. Therefore, a value 2 μ s to less than 4 μ s is reported with a default value of 0x2.
18	CPM	RWL	0x0	Clock Power Management. This bit indicates if the component tolerates removal of the reference clock via the "CLKREQ#" mechanism. The PES24T3G2 does not support the removal of reference clocks.
19	SDERR	RWL	Upstream: 0x0 Downstream: 0x1	Surprise Down Error Reporting. The PES24T3G2 downstream ports support surprise down error reporting. This field does not apply to an upstream port and should be hardwired to zero.
20	DLLLA	RWL	Upstream: 0x0 Downstream: 0x1	Data Link Layer Link Active Reporting. The PES24T3G2 downstream ports support the capability of reporting the DL_Active state of the data link control and management state machine. Modification of this bit changes the advertised capability value but does not modify the device behavior (i.e., status is always reported regardless of this field value). This field is not applicable for the upstream port and must be hardwired to zero.

Notes

Bit Field	Field Name	Type	Default Value	Description
21	LBN	RWL	Upstream: 0x0 Downstream: 0x1	Link Bandwidth Notification Capability. When set, this bit indicates support for the link bandwidth notification status and interrupt mechanisms. The PES24T3G2 downstream ports support the capability. This field is not applicable for the upstream port and must be zero.
23:22	Reserved	RO	0x0	Reserved field.
31:24	PORTNUM	RO	Port 0: 0x0 Port 2: 0x2 Port 4: 0x4	Port Number. This field indicates the PCI express port number for the corresponding link.

PCIELCTL - PCI Express Link Control (0x050)

Bit Field	Field Name	Type	Default Value	Description
1:0	ASPM	RW	0x0	Active State Power Management (ASPM) Control. This field controls the level of ASPM supported by the link. The initial value corresponds to disabled. The value contained in Serial EEPROM may override this default value 0x0 - (disabled) disabled 0x1 - (I0s) L0s enable entry 0x2 - (I1) L1 enable entry 0x3 - (I0sI1) L0s and L1 enable entry Note that "L0s enable entry" corresponds to the transmitter entering L0s (the receiver supports this function and is not affected by this setting).
2	Reserved	RO	0x0	Reserved field.
3	RCB	RO	0x0	Read Completion Boundary. This field is not applicable and is hardwired to zero.
4	LDIS	RW	0x0	Link Disable. When set in a downstream port, this bit disables the link. This field is not applicable for the upstream port.

Notes

Bit Field	Field Name	Type	Default Value	Description
5	LRET	RW	0x0	<p>Link Retrain. Writing a one to this field initiates Link retraining by directing the Physical Layer LTSSM to the Recovery state. This field always returns zero when read.</p> <p>It is permitted to set this bit while simultaneously modifying other fields in this register.</p> <p>When this bit is set and the LTSSM is already in the Recovery or Configuration states, all modifications that affect link retraining are applied in the subsequent retraining. Else, if the LTSSM is not in the Recovery or Configuration states, modifications that affect link retraining are applied immediately.</p> <p>For compliance with the PCIe specification, this bit has no effect on the upstream port when the REGUNLOCK bit is cleared in the SWCTL register. In this mode the field is hardwired to zero. When the REGUNLOCK bit is set, writing a one to the LRET bit initiates link retraining on the upstream port with a delayed effect of 1 ms. For the upstream port, the effect of setting the LRET bit is delayed by 1ms to allow the completion associated with the configuration access that set the bit to be sent towards the root. Therefore, for the upstream port, software must wait 1ms after setting the LRET bit before polling the RLWS field.</p> <p>Setting LRET in the upstream port does not result in the immediate setting of the LTRAIN bit in the PCIELSTS register. The LTRAIN bit is set at a 1ms delay.</p>
6	CCLK	RW	0x0	<p>Common Clock Configuration. When set, this bit indicates that this component and the component at the opposite end of the link are operating with a distributed common reference clock.</p>
7	ESYNC	RW	0x0	<p>Extended Sync. When set this bit forces transmission of additional ordered sets when exiting the L0s state and when in the recovery state.</p>
8	CLKP-WRMGT	RO	0x0	<p>Enable Clock Power Management. The PES24T3G2 does not support this feature.</p>
9	HAWD	RO	0x0	<p>Hardware Autonomous Width Disable. When set, this bit disables hardware from changing the link width for reasons other than attempting to correct for unreliable link operation by reducing the link width.</p> <p>The PES24T3G2 ports do not have a hardware autonomous mechanism to change link width, except due to link reliability issues. Therefore, this bit is not applicable and is hardwired to zero.</p>
10	LBWINTEN	RW	0x0	<p>Link Bandwidth Management Interrupt Enable. When set, this bit enables the generation of an interrupt to indicate that the LBWSTS bit has been set in the PCIELSTS register.</p> <p>If the LBN field in the PCIELCAP register is cleared, this field is hardwired to zero.</p> <p>This field is hardwired to zero in the upstream port.</p>
11	LABWINTEN	RW	0x0	<p>Link Autonomous Bandwidth Interrupt Enable. When set, this bit enables the generation of an interrupt to indicate that the LABWSTS bit has been set in the PCIELSTS register.</p> <p>If the LBN field in the PCIELCAP register is cleared, this field is hardwired to zero.</p> <p>This field is hardwired to zero in the upstream port.</p>

Notes

Bit Field	Field Name	Type	Default Value	Description
15:12	Reserved	RO	0x0	Reserved field.

PCIELSTS - PCI Express Link Status (0x052)

Bit Field	Field Name	Type	Default Value	Description
3:0	CLS	RO	0x1	Current Link Speed. This field indicates the current link speed of the port. 1 - (gen1) 2.5 Gbps 2 - (gen2) 5 Gbps others-reserved
9:4	NLW	RO	HWINIT	Negotiated Link Width. This field indicates the negotiated width of the link. 00 0001b - x1 00 0010b - x2 00 0100b - x4 00 1000b - x8 00 1100b - x12 01 0000b - x16 10 0000b - x32 When the MAXLNKWDTH field in the PCIELCAP register selects a width not supported by the port, the value of this field corresponds to the setting of the MAXLNKWDTH field, regardless of the actual negotiated link width. When the MAXLNKWDTH field in the PCIELCAP register selects a width supported by the port, but the link is unable to train, the value in this field is set to 0x0.
10	TERR	RO	0x0	Training Error. In PCIe base 1.0a when set, this bit indicates that a link training error has occurred. The value of this field is undefined in the PCIe base 2.0 specification.
11	LTRAIN	RO	0x0	Link Training. When set, this bit indicates that link training is in progress. This bit is set when the Physical Layer LTSSM is in Configuration or Recovery State, or when 0x1 is written to LRET bit in the PCIELCTL register but Link training has not yet begun. For upstream port, LRET has a delayed effect of 1 ms. Hardware clears this bit when LTSSM exits Configuration/ Recovery State.
12	SCLK	RWL	HWINIT	Slot Clock Configuration. When set, this bit indicates that the component uses the same physical reference clock that the platform provides. The initial value of this field is the state of the CCLKUS signal for the upstream port and the CCLKDS signal for downstream ports. The serial EEPROM may override these default values.

Notes

Bit Field	Field Name	Type	Default Value	Description
13	DLLLA	RO	0x0	Data Link Layer Link Active. This bit indicates the status for the data link control and management state machine. 0x0 - (not_active) Data link layer not active state 0x1 - (active) Data link layer active state This bit must never be set by hardware if the DLLLA bit in the PCIELCAP register is cleared.
14	LBWSTS	RW1C	0x0	Link Bandwidth Management Status. This bit is set to indicate that either of the following have occurred without the link transitioning through the DL_Down state. A link retraining initiated by setting the LRET bit in the PCIELCTL register has completed. The PHY has autonomously changed link speed or width to attempt to correct unreliable link operation either through an LTSSM time-out or a higher level process. This bit must be set if the Physical Layer reports a speed or width change was initiated by the downstream component that was not indicated as an autonomous change. If the LBN field in the PCIELCAP register is cleared, this field is hardwired to zero. This field is hardwired to zero in the upstream port.
15	LABWSTS	RW1C	0x0	Link Autonomous Bandwidth Status. This bit is set to indicate that either that the PHY has autonomously changed link speed or width for reasons other than to attempt to correct unreliable link operation. This bit must be set if the Physical Layer reports a speed or width change was initiated by the downstream component that was indicated as an autonomous change. If the LBN field in the PCIELCAP register is cleared, this field is hardwired to zero. This field is hardwired to zero in the upstream port.

PCIESCAP - PCI Express Slot Capabilities (0x054)

Bit Field	Field Name	Type	Default Value	Description
0	ABP	RWL	0x0	Attention Button Present. This bit is set when the Attention Button is implemented for the port. This bit is read-only and has a value of zero when the SLOT bit in the PCIECAP register is cleared.
1	PCP	RWL	0x0	Power Control Present. This bit is set when a Power Controller is implemented for the port. This bit is read-only and has a value of zero when the SLOT bit in the PCIECAP register is cleared.
2	MRLP	RWL	0x0	MRL Sensor Present. This bit is set when an MRL Sensor is implemented for the port. This bit is read-only and has a value of zero when the SLOT bit in the PCIECAP register is cleared.

Notes

Bit Field	Field Name	Type	Default Value	Description
3	ATTIP	RWL	0x0	Attention Indicator Present. This bit is set when an Attention Indicator is implemented for the port. This bit is read-only and has a value of zero when the SLOT bit in the PCIECAP register is cleared.
4	PWRIP	RWL	0x0	Power Indicator Present. This bit is set when an Power Indicator is implemented for the port. This bit is read-only and has a value of zero when the SLOT bit in the PCIECAP register is cleared.
5	HPS	RWL	0x0	Hot Plug Surprise. When set, this bit indicates that a device present in the slot may be removed from the system without notice. This bit is read-only and has a value of zero when the SLOT bit in the PCIECAP register is cleared.
6	HPC	RWL	0x0	Hot Plug Capable. This bit is set if the slot corresponding to the port is capable of supporting hot-plug operations. This bit is read-only and has a value of zero when the SLOT bit in the PCIECAP register is cleared.
14:7	SPLV	RW	0x0	Slot Power Limit Value. In combination with the Slot Power Limit Scale, this field specifies the upper limit on power supplied by the slot. A Set_Slot_Power_Limit message is generated using this field whenever this register is written or when the link transitions from a non DL_Up status to a DL_Up status. This bit is read-only and has a value of zero when the SLOT bit in the PCIECAP register is cleared.
16:15	SPLS	RW	0x0	Slot Power Limit Scale. This field specifies the scale used for the Slot Power Limit Value (SPLV). 0x0 - (x1) 1.0x 0x1 - (xp1) 0.1x 0x2 - (xp01) 0.01x 0x3 - (xp001) 0.001x A Set_Slot_Power_Limit message is generated using this field whenever this register is written or when the link transitions from a non DL_Up status to a DL_Up status. This bit is read-only and has a value of zero when the SLOT bit in the PCIECAP register is cleared.
17	EIP	RWL	0x0	Electromechanical Interlock Present. This bit is set if an electromechanical interlock is implemented on the chassis for this slot. This bit is read-only and has a value of zero when the SLOT bit in the PCIECAP register is cleared.
18	NCCS	RO	0x0	No Command Completed Support. Software notification is always generated when an issued command is completed by the hot-plug controller. Therefore, this field is hardwired to zero.
31:19	PSLOTNUM	RWL	0x0	Physical Slot Number. This field indicates the physical slot number attached to this port. For devices interconnected on the system board, this field should be initialized to zero. This bit is read-only and has a value of zero when the SLOT bit in the PCIECAP register is cleared.

Notes

PCIESCTL - PCI Express Slot Control (0x058)

Bit Field	Field Name	Type	Default Value	Description
0	ABPE	RW	0x0	Attention Button Pressed Enable. This bit when set enables generation of a Hot-Plug interrupt or wake-up event on an attention button pressed event. This bit is read-only and has a value of zero when the corresponding capability is not enabled in the PCIESCAP register.
1	PFDE	RW	0x0	Power Fault Detected Enable. This bit when set enables the generation of a Hot-Plug interrupt or wake-up event on a power fault event. This bit is read-only and has a value of zero when the corresponding capability is not enabled in the PCIESCAP register.
2	MRLSCE	RW	0x0	MRL Sensor Change Enable. This bit when set enables the generation of a Hot-Plug interrupt or wake-up event on a MRL sensor change event. This bit is read-only and has a value of zero when the corresponding capability is not enabled in the PCIESCAP register.
3	PDCE	RW	0x0	Presence Detected Changed Enable. This bit when set enables the generation of a Hot-Plug interrupt or wake-up event on a presence detect change event. This bit is read-only and has a value of zero when the corresponding capability is not enabled in the PCIESCAP register.
4	CCIE	RW	0x0	Command Complete Interrupt Enable. This bit when set enables the generation of a Hot-Plug interrupt when a command is completed by the Hot-Plug Controller. This bit is read-only and has a value of zero when the corresponding capability is not enabled in the PCIESCAP register.
5	HPIE	RW	0x0	Hot Plug Interrupt Enable. This bit when set enables generation of a Hot-Plug interrupt on enabled Hot-Plug events. This bit is read-only and has a value of zero when the corresponding capability is not enabled in the PCIESCAP register.
7:6	AIC	RW	0x3	Attention Indicator Control. When read, this register returns the current state of the Attention Indicator. Writing to this register sets the indicator. This bit is read-only and has a value of zero when the corresponding capability is not enabled in the PCIESCAP register. This field is always zero if the ATTIP bit is cleared in the PCIESCAP register. 0x0 - (reserved) Reserved 0x1 - (on) On 0x2 - (blink) Blink 0x3 - (off) Off

Notes

Bit Field	Field Name	Type	Default Value	Description
9:8	PIC	RW	0x1	Power Indicator Control. When read, this register returns the current state of the Power Indicator. Writing to this register sets the indicator. This bit is read-only and has a value of zero when the corresponding capability is not enabled in the PCIESCAP register. This field is always zero if the PWRIP bit is cleared in the PCIESCAP register. 0x0 - (reserved) Reserved 0x1 - (on) On 0x2 - (blink) Blink 0x3 - (off) Off This field has no effect on the upstream port.
10	PCC	RW	0x0	Power Controller Control. When read, this register returns the current state of the power applied to the slot. Writing to this register sets the power state of the slot. This bit is read-only and has a value of zero when the corresponding capability is not enabled in the PCIESCAP register. 0x0 - (on) Power on 0x1 - (off) Power off
11	EIC	RW	0x0	Electromechanical Interlock Control. This field always returns a value of zero when read. If an electromechanical interlock is implemented, a write of a one to this field causes the state of the interlock to toggle and a write of a zero has no effect. This bit is read-only and has a value of zero when the corresponding capability is not enabled in the PCIESCAP register.
12	DLLASCE	RW	0x0	Data Link Layer Link Active State Change Enable. This bit when set enables generation of a Hot-Plug interrupt or wake-up event on a data link layer active field state change.
15:13	Reserved	RO	0x0	Reserved field.

PCIESSTS - PCI Express Slot Status (0x05A)

Bit Field	Field Name	Type	Default Value	Description
0	ABP	RW1C	0x0	Attention Button Pressed. Set when the attention button is pressed.
1	PFD	RW1C	0x0	Power Fault Detected. Set when the Power Controller detects a power fault.
2	MRLSC	RW1C	0x0	MRL Sensor Changed. Set when an MRL Sensor state change is detected.
3	PDC	RW1C	0x0	Presence Detected Changed. Set when a Presence Detected change is detected.

Notes

Bit Field	Field Name	Type	Default Value	Description
4	CC	RW1C	0x0	Command Completed. This bit is set when the Hot-Plug Controller completes an issued command. If the bit is already set, then it remains set. A single write to the PCI Express Slot Control (PCIESCTL) register is considered to be a single command even if it affects more than one field in that register. This command completed bit is not set until processing of all actions associated with all fields in the PCIESCTL register have completed (i.e., all associated SMBus I/O expander transactions have completed).
5	MRLSS	RO	0x0	MRL Sensor State. This field enclosed the current state of the MRL sensor. 0x0 -(closed) MRL closed 0x1 -(open) MRL open
6	PDS	RO	0x1	Presence Detect State. This bit indicates the presence of a card in the slot corresponding to the port and reflects the state of the Presence Detect status. 0x0 -(empty) Slot empty 0x1 -(present) Card present
7	EIS	RO	0x0	Electromechanical Interlock Status. When an electromechanical interlock is implemented, this bit indicates the current status of the interlock. 0x0 -(disengaged) Electromechanical interlock disengaged 0x1 -(engaged) Electromechanical interlock engaged
8	DLLLASC	RW1C	0x0	Data Link Layer Link Active State Change. This bit is set when the state of the data link layer active field in the link status register changes state. 0x0 -(nochange) No DLLLA state change 0x1 -(changed) DLLLA state change
15:9	Reserved	RO	0x0	Reserved field.

PCIEDCAP2 - PCI Express Device Capabilities 2 (0x064)

Bit Field	Field Name	Type	Default Value	Description
4:0	Reserved	RO	0x0	Reserved field.
5	ARIFS	RO	0x1	ARI Forwarding Supported. This bit is set to indicate that the switch supports ARI Forwarding. When this bit is cleared, the ARI Forwarding Enable (ARIFEN) bit in the Device Control 2 register becomes read-only zero. This bit is read-only zero in the upstream port.
31:6	Reserved	RO	0x0	Reserved field.

Notes

PCIEDCTL2 - PCI Express Device Control 2 (0x068)

Bit Field	Field Name	Type	Default Value	Description
4:0	Reserved	RO	0x0	Reserved field.
5	ARIFEN	RO	0x0	ARI Forwarding Enable. When set, the downstream port disables its traditional Device Number field being zero enforcement when turning a Type 1 configuration request into a Type 0 configuration request, permitting access to the Extended Functions in an ARI device immediately below the port. When the ARIFS bit in the PCIEDCAP2 register is cleared, this bit is read-only zero. This bit is always read-only zero in the upstream port.
15:6	Reserved	RO	0x0	Reserved field.

PCIEDSTS2 - PCI Express Device Status 2 (0x06A)

Bit Field	Field Name	Type	Default Value	Description
15:0	Reserved	RO	0x0	Reserved field.

PCIELCAP2 - PCI Express Link Capabilities 2 (0x06C)

Bit Field	Field Name	Type	Default Value	Description
31:0	Reserved	RO	0x0	Reserved field.

PCIELCTL2 - PCI Express Link Control 2 (0x070)

Bit Field	Field Name	Type	Default Value	Description
3:0	TLS	RW	0x2 Sticky	Target Link Speed. For downstream ports, this field sets an upper limit on the link operational speed by restricting the values advertised by the upstream component in its training sequences. For both upstream and downstream ports, this field is used to set the target compliance mode speed when software is using the ECOMP bit in this register to force a link into compliance mode. The PES24T3G2 supports 2.5 Gbps and 5.0 Gbps operation. Setting this field to an unsupported value produces undefined results. 0x1 - (gen1) 2.5 Gbps 0x2 - (gen2) 5.0 Gbps others - reserved
4	ECOMP	RW	0x0 Sticky	Enter Compliance. Software is permitted to force a link into compliance mode at the speed indicated by the TLS field by setting this bit in both components on a link and then initiating a hot reset on the link.

Notes

Bit Field	Field Name	Type	Default Value	Description
5	HASD	RO	0x0	<p>Hardware Autonomous Speed Disable. When set, this bit prevents hardware from changing the link speed for device specific reasons other than to correct unreliable link operation by reducing the link speed. Initial transition to the highest supported common link speed is not blocked by this bit.</p> <p>The PES24T3G2 ports do not have an autonomous mechanism to regulate link speed, except due to link reliability issues. Therefore, this bit is not applicable to the PES24T3G2 ports.</p> <p>Note that this bit does not affect link speed changes triggered by software setting the target link speed and link-retrain bits. Refer to section Link Speed Negotiation on page 3-4 for further details.</p>
6	SDE	RWL	0x0	<p>Selectable De-emphasis. For switch downstream ports, this bit sets the de-emphasis level when the link operates at 5.0 Gbps. For the upstream port, this bit selects the de-emphasis preference advertised via training sets (the actual de-emphasis on the link is selected by the link partner).</p> <p>0x0 - De-emphasis level = -6.0 dB 0x1 - De-emphasis level = -3.5 dB</p> <p>This bit has no effect when the link operates at 2.5 Gbps, or when the link operates in low-swing mode.</p> <p>When this field is modified, the newly selected de-emphasis is not applied until the PHY LTSSM transitions through the states in which it is allowed to modify the de-emphasis setting on the line (i.e., Recovery.Speed). Therefore, after modifying this field, it is recommended that the link be fully retrained by setting the FLRET bit in the PHYSTATE0 register.</p>
9:7	TM	RW	0x0 Sticky	<p>Transmit Margin. This field controls the value of the non de-emphasized voltage level at the transmitter pins. This field is reset to 0x0 on entry to the LTSSM Polling.Configuration sub-state.</p> <p>0x0 - Normal operating range 0x1 - 900 mV for full swing and 500 mV for low-swing 0x2 - 700 mV for full swing and 400 mV for low-swing 0x3 - 500 mV for full swing and 300 mV for low-swing 0x4 - 300 mV for full swing and 200 mV for low-swing 0x5 - 200 mV for full swing and 100 mV for low-swing 0x6-0x7 - Reserved</p> <p>This register is intended for debug, compliance testing purpose only. System firmware and software is allowed to modify this register only during debug or compliance testing. In all other cases, the system must ensure that this register is set to the default value.</p> <p>When this field is set to "Normal Operating Range", the SerDes transmitter drive level is selected via the SerDes Global Transmitter Control register (STXGCTL) and SerDes Transmitter Lane Control register (STXLCTL).</p> <p>When this field is modified, the newly selected value is not applied until the PHY LTSSM transitions through the states in which it is allowed to modify the transmit margin setting on the line (i.e., Recovery.RcvrLock). Therefore, after modifying this field, it is recommended that the link be retrained by setting the LRET bit in the PCIELCTL register.</p>

Notes

Bit Field	Field Name	Type	Default Value	Description
10	EMC	RW	0x0 Sticky	Enter Modified Compliance. When this bit is set to 1b, the port transmits the modified compliance pattern if the LTSSM enters Polling.Compliance state. This register is intended for debug, compliance testing purposes only. System firmware and software is allowed to modify this register only during debug or compliance testing. In all other cases, the system must ensure that this register is set to the default value.
11	CSOS	RW	0x0 Sticky	Compliance SOS. When set to 1b, the LTSSM is required to send SOS periodically in both the compliance and the modified compliance patterns.
12	CDE	RW	0x0 Sticky	Compliance De-emphasis. This bit selects the de-emphasis value in the Polling.Compliance state when this state was entered as a result of setting the Enter Compliance (ECOMP) bit in this register. 0x0 - - 6.0 dB 0x1 - - 3.5 dB This bit is intended for debug, compliance testing purposes. System firmware and software is allowed to modify this bit only during debug or compliance testing.
15:13	Reserved	RO	0x0	Reserved field.

PCIELSTS2 - PCI Express Link Status 2 (0x072)

Bit Field	Field Name	Type	Default Value	Description
0	CDE	RO	0x0	Current De-emphasis. The value of this bit indicates the current de-emphasis level when the link operates in 5.0 Gbps. 0x0 - De-emphasis level = -6.0 dB 0x1 - De-emphasis level = -3.5 dB The value of this bit is undefined when the link operates at 2.5 Gbps.
15:1	Reserved	RO	0x0	Reserved field.

PCIESCAP2 - PCI Express Slot Capabilities 2 (0x074)

Bit Field	Field Name	Type	Default Value	Description
31:0	Reserved	RO	0x0	Reserved field.

PCIESCTL2 - PCI Express Slot Control 2 (0x078)

Bit Field	Field Name	Type	Default Value	Description
15:0	Reserved	RO	0x0	Reserved field.

Notes

PCIESSTS2 - PCI Express Slot Status 2 (0x07A)

Bit Field	Field Name	Type	Default Value	Description
15:0	Reserved	RO	0x0	Reserved field.

Power Management Capability Structure

PMCAP - PCI Power Management Capabilities (0x0C0)

Bit Field	Field Name	Type	Default Value	Description
7:0	CAPID	RO	0x1	Capability ID. The value of 0x1 identifies this capability as a PCI power management capability structure.
15:8	NXTPTR	RWL	Upstream: 0x0 Downstream: 0xD0	Next Pointer. This field contains a pointer to the next capability structure. For the upstream port the value of this field is 0x0 indicating that it is the last capability. For ports downstream ports, this field is 0xD0 and points to the MSI capability structure.
18:16	VER	RO	0x3	Power Management Capability Version. This field indicates compliance with version two of the specification. Complies with version the PCI Bus Power Management Interface Specification, Revision 1.2.
19	PMECLK	RO	0x0	PME Clock. Does not apply to PCI Express.
20	Reserved	RO	0x0	Reserved field.
21	DEVSP	RWL	0x0	Device Specific Initialization. The value of zero indicates that no device specific initialization is required.
24:22	AUXI	RO	0x0	AUX Current. not used
25	D1	RO	0x0	D1 Support. This field indicates that the PES24T3G2 does not support D1.
26	D2	RO	0x0	D2 Support. This field indicates that the PES24T3G2 does not support D2.
31:27	PME	RWL	0b11001	PME Support. This field indicates the power states in which the port may generate a PME. Bits 27, 30 and 31 are set to indicate that the bridge will forward PME messages. The switch does not forward PME messages in D3 _{cold} . This functionality may be supported in the system by routing WAKE# around the switch. Modification of this field modifies the advertised capability value but does not modify the device behavior (i.e., PME is generated in the states noted in the default value).

Notes

PMCSR - PCI Power Management Control and Status (0x0C4)

Bit Field	Field Name	Type	Default Value	Description
1:0	PSTATE	RW	0x0	Power State. This field is used to determine the current power state and to set a new power state. 0x0 - (d0) D0 state 0x1 - (d1) D1 state (not supported by the PES24T3G2 and reserved) 0x2 - (d2) D2 state (not supported by the PES24T3G2 and reserved) 0x3 - (d3) D3 _{hot} state
2	Reserved	RO	0x0	
3	NOSOFTRST	RWL	0x1	No Soft Reset. This bit indicates if the configuration context is preserved by the bridge when the device transitions from a D3 _{hot} to D0 power management state. 0x0 - (reset) State reset 0x1 - (preserved) State preserved
7:4	Reserved	RO	0x0	
8	PMEE	RW Sticky	0x0	PME Enable. When this bit is set, PME message generation is enabled for the port. If a hot plug wake-up event is desired when exiting the D3 _{cold} state, then this bit should be set during serial EEPROM initialization. A hot reset does not result in modification of this field.
12:9	DSEL	RO	0x0	Data Select. The optional data register is not implemented.
14:13	DSCALE	RO	0x0	Data Scale. The optional data register is not implemented.
15	PMES	RW1C Sticky	0x0	PME Status. This bit is set if a PME is generated by the port even if the PMEE bit is cleared. This bit is not set when the bridge is propagating a PME message but the port is not itself generating a PME. Since the upstream port never generates a PME, this bit will never be set in that port.
21:16	Reserved	RO	0x0	Reserved field.
22	B2B3	RO	0x0	B2/B3 Support. Does not apply to PCI Express.
23	BPCCE	RO	0x0	Bus Power/Clock Control Enable. Does not apply to PCI Express.
31:24	DATA	RO	0x0	Data. This optional field is not implemented.

Message Signaled Interrupt Capability Structure

MSICAP - Message Signaled Interrupt Capability and Control (0x0D0)

Bit Field	Field Name	Type	Default Value	Description
7:0	CAPID	RO	0x5	Capability ID. The value of 0x5 identifies this capability as a MSI capability structure.

Notes

Bit Field	Field Name	Type	Default Value	Description
15:8	NXTPTR	RWL	0x0	Next Pointer. This field contains a pointer to the next capability structure. This field is set to 0x0 indicating that it is the last capability.
16	EN	RW	0x0	Enable. This bit enables MSI. 0x0 - (disable) disabled 0x1 - (enable) enabled
19:17	MMC	RO	0x0	Multiple Message Capable. This field contains the number of requested messages.
22:20	MME	RW	0x0	Multiple Message Enable. Hardwired to one message.
23	A64	RO	0x1	64-bit Address Capable. The bridge is capable of generating messages using a 64-bit address.
31:24	Reserved	RO	0x0	Reserved field.

MSIADDR - Message Signaled Interrupt Address (0x0D4)

Bit Field	Field Name	Type	Default Value	Description
1:0	Reserved	RO	0x0	Reserved.
31:2	ADDR	RW	0x0	Message Address. This field specifies the lower portion of the DWORD address of the MSI memory write transaction. The PES24T3G2 assumes that all downstream port generated MSIs are targeted to the root and routes these transactions to the upstream port. Configuring the address contained in a downstream port's MSIADDR and MSIADDRU registers to an address that does not route to the upstream port and generating an MSI produces undefined results.

MSIUADDR - Message Signaled Interrupt Upper Address (0x0D8)

Bit Field	Field Name	Type	Default Value	Description
31:0	UADDR	RW	0x0	Upper Message Address. This field specifies the upper portion of the DWORD address of the MSI memory write transaction. If the contents of this field are non-zero, then 64-bit address is used in the MSI memory write transaction. If the contents of this field are zero, then the 32-bit address specified in the MSIADDR field is used. The PES24T3G2 assumes that all downstream port generated MSIs are targeted to the root and routes these transactions to the upstream port. Configuring the address contained in a downstream port's MSIADDR and MSIADDRU registers to an address that does not route to the upstream port and generating an MSI produces undefined results.

Notes

MSIMDATA - Message Signaled Interrupt Message Data (0x0DC)

Bit Field	Field Name	Type	Default Value	Description
15:0	MDATA	RW	0x0	Message Data. This field contains the lower 16-bits of data that are written when a MSI is signalled.
31:16	Reserved	RO	0x0	Reserved.

Subsystem ID and Subsystem Vendor ID

SSIDSSVIDCAP - Subsystem ID and Subsystem Vendor ID Capability (0x0F0)

Bit Field	Field Name	Type	Default Value	Description
7:0	CAPID	RO	0xD	Capability ID. The value of 0xD identifies this capability as a SSID/SSVID capability structure.
15:8	NXTPTR	RWL	0x00	Next Pointer. This field contains a pointer to the next capability structure.
31:16	Reserved	RO	0x0	Reserved field.

SSIDSSVID - Subsystem ID and Subsystem Vendor ID (0x0F4)

Bit Field	Field Name	Type	Default Value	Description
15:0	SSVID	RWL	0x0	SubSystem Vendor ID. This field identifies the manufacturer of the add-in card or subsystem. SSVID values are assigned by the PCI-SIG to insure uniqueness.
31:16	SSID	RWL	0x0	Subsystem ID. This field identifies the add-in card or subsystem. SSID values are assigned by the vendor.

Extended Configuration Space Access Registers

ECFGADDR - Extended Configuration Space Access Address (0x0F8)

Bit Field	Field Name	Type	Default Value	Description
1:0	Reserved	RO	0x0	Reserved field.
7:2	REG	RW	0x0	Register Number. This field selects the configuration register number as defined by Section 7.2.2 of the PCI Express Base Specification, Rev. 1.0a
11:8	EREG	RW	0x0	Extended Register Number. This field selects the extended configuration register number as defined by Section 7.2.2 of the PCI Express Base Specification, Rev. 1.0a
31:12	Reserved	RO	0x0	Reserved field.

Notes

ECFGDATA - Extended Configuration Space Access Data (0x0FC)

Bit Field	Field Name	Type	Default Value	Description
31:0	DATA	RW	0x0	Configuration Data. A read from this field will return the configuration space register value pointed to by the ECFGADDR register. A write to this field will update the contents of the configuration space register pointed to by the ECFGADDR register with the value written. For both reads and writes, the byte enables correspond to those used to access this field. When the ECFGADDR register points to the ECFGDATA register, then reads from ECFGDATA return zero and writes are ignored. When the ECFGADDR register points to itself, writes to the ECFGDATA register modify the contents of the ECFGADDR register. SMBus reads of this field return a value of zero and SMBus writes have no effect.

Advanced Error Reporting (AER) Enhanced Capability**AERCAP - AER Capabilities (0x100)**

Bit Field	Field Name	Type	Default Value	Description
15:0	CAPID	RO	0x1	Capability ID. The value of 0x1 indicates an advanced error reporting capability structure.
19:16	CAPVER	RO	0x1	Capability Version. The value of 0x1. indicates compatibility with version 1 of the specification.
31:20	NXTPTR	RWL	0x200	Next Pointer.

AERUES - AER Uncorrectable Error Status (0x104)

Bit Field	Field Name	Type	Default Value	Description
0	UDEF	RW1C	0x0 Sticky	Undefined. This bit is no longer used in this version of the specification.
3:1	Reserved	RO	0x0	Reserved field.
4	DLPERR	RW1C	0x0 Sticky	Data Link Protocol Error Status. This bit is set when a data link layer protocol error is detected.
5	SDOENERR	RW1C	0x0 Sticky	Surprise Down Error Status. This bit is set when a surprise down error is detected and the SDERR bit in the PCIELCAP register is set.
11:6	Reserved	RO	0x0	Reserved field.
12	POISONED	RW1C	0x0 Sticky	Poisoned TLP Status. This bit is set when a poisoned TLP is detected.
13	FCPERR	RW1C	0x0 Sticky	Flow Control Protocol Error Status. This bit is set when a flow control protocol error is detected.

Notes

Bit Field	Field Name	Type	Default Value	Description
14	COMPTO	RO	0x0	Completion Time-out Status. A switch port does not initiate non-posted requests on its own behalf. Therefore, this field is hardwired to zero.
15	CABORT	RO	0x0	Completer Abort Status. The PES24T3G2 never responds to a non-posted request with a completer abort.
16	UECOMP	RW1C	0x0 Sticky	Unexpected Completion Status. This bit is set when an unexpected completion is detected.
17	RCVOVR	RW1C	0x0 Sticky	Receiver Overflow Status. This bit is set when a receiver overflow is detected.
18	MAL-FORMED	RW1C	0x0 Sticky	Malformed TLP Status. This bit is set when a malformed TLP is detected.
19	ECRC	RW1C	0x0 Sticky	ECRC Status. This bit is set when an ECRC error is detected.
20	UR	RW1C	0x0 Sticky	UR Status. This bit is set when an unsupported request is detected.
21	ACSV	RW1C	0x0 Sticky	ACS Violation Status. This bit is set when an ACS violation is detected on the port. The PES24T3G2 does not support ACS and therefore this bit is hardwired to 0x0.
30:22	Reserved	RO	0x0	Reserved field.
31	DBE	RW1C	0x0 Sticky	Double Bit Error Status. When the Double Bit Error AER Reporting Enable (DBEAEREN) bit is set in the Memory Error Control (MECTL) register, this bit is set whenever a double bit error is detected in any memory associated with the port. When the DBEAEREN bit is cleared, this field is read-only zero.

AERUEM - AER Uncorrectable Error Mask (0x108)

Bit Field	Field Name	Type	Default Value	Description
0	UDEF	RW	0x0 Sticky	Undefined. This bit is no longer used in this version of the specification.
3:1	Reserved	RO	0x0	Reserved field.
4	DLPERR	RW	0x0 Sticky	Data Link Protocol Error Mask. When this bit is set, the corresponding bit in the AERUES register is masked. When a bit is masked in the AERUES register, the corresponding event is not logged in the advanced capability structure, the First Error Pointer field (FEPTR) in the AERCTL register is not updated, and an error is not reported to the root complex. This bit does not affect the state of the corresponding bit in the AERUES register.

Notes

Bit Field	Field Name	Type	Default Value	Description
5	SDOENERR	RW	0x0 Sticky	Surprise Down Error Mask. When this bit is set, the corresponding bit in the AERUES register is masked. When a bit is masked in the AERUES register, the corresponding event is not logged in the advanced capability structure, the First Error Pointer field (FEPTR) in the AERCTL register is not updated, and an error is not reported to the root complex. This bit does not affect the state of the corresponding bit in the AERUES register.
11:6	Reserved	RO	0x0	Reserved field.
12	POISONED	RW	0x0 Sticky	Poisoned TLP Mask. When this bit is set, the corresponding bit in the AERUES register is masked. When a bit is masked in the AERUES register, the corresponding event is not logged in the advanced capability structure, the First Error Pointer field (FEPTR) in the AERCTL register is not updated, and an error is not reported to the root complex. This bit does not affect the state of the corresponding bit in the AERUES register.
13	FCPERR	RW	0x0 Sticky	Flow Control Protocol Error Mask. When this bit is set, the corresponding bit in the AERUES register is masked. When a bit is masked in the AERUES register, the corresponding event is not logged in the advanced capability structure, the First Error Pointer field (FEPTR) in the AERCTL register is not updated, and an error is not reported to the root complex. This bit does not affect the state of the corresponding bit in the AERUES register.
14	COMPTO	RO	0x0	Completion Time-out Mask. A switch port does not initiate non-posted requests on its own behalf. Therefore, this field is hard-wired to zero.
15	CABORT	RO	0x0	Completer Abort Mask. The PES24T3G2 never responds to a non-posted request with a completer abort.
16	UECOMP	RW	0x0 Sticky	Unexpected Completion Mask. When this bit is set, the corresponding bit in the AERUES register is masked. When a bit is masked in the AERUES register, the corresponding event is not logged in the advanced capability structure, the First Error Pointer field (FEPTR) in the AERCTL register is not updated, and an error is not reported to the root complex. This bit does not affect the state of the corresponding bit in the AERUES register.
17	RCVOVR	RW	0x0 Sticky	Receiver Overflow Mask. When this bit is set, the corresponding bit in the AERUES register is masked. When a bit is masked in the AERUES register, the corresponding event is not logged in the advanced capability structure, the First Error Pointer field (FEPTR) in the AERCTL register is not updated, and an error is not reported to the root complex. This bit does not affect the state of the corresponding bit in the AERUES register.

Notes

Bit Field	Field Name	Type	Default Value	Description
18	MAL-FORMED	RW	0x0 Sticky	Malformed TLP Mask. When this bit is set, the corresponding bit in the AERUES register is masked. When a bit is masked in the AERUES register, the corresponding event is not logged in the advanced capability structure, the First Error Pointer field (FEPTR) in the AERCTL register is not updated, and an error is not reported to the root complex. This bit does not affect the state of the corresponding bit in the AERUES register.
19	ECRC	RW	0x0 Sticky	ECRC Mask. When this bit is set, the corresponding bit in the AERUES register is masked. When a bit is masked in the AERUES register, the corresponding event is not logged in the advanced capability structure, the First Error Pointer field (FEPTR) in the AERCTL register is not updated, and an error is not reported to the root complex. This bit does not affect the state of the corresponding bit in the AERUES register.
20	UR	RW	0x0 Sticky	UR Mask. When this bit is set, the corresponding bit in the AERUES register is masked. When a bit is masked in the AERUES register, the corresponding event is not logged in the advanced capability structure, the First Error Pointer field (FEPTR) in the AERCTL register is not updated, and an error is not reported to the root complex. This bit does not affect the state of the corresponding bit in the AERUES register.
21	ACSV	RW	0x0 Sticky	ACS Violation Mask. When this bit is set, the corresponding bit in the AERUES register is masked. When a bit is masked in the AERUES register, the corresponding event is not logged in the advanced capability structure, the First Error Pointer field (FEPTR) in the AERCTL register is not updated, and an error is not reported to the root complex. This bit does not affect the state of the corresponding bit in the AERUES register.
30:22	Reserved	RO	0x0	Reserved field.
31	DBE	RW	0x0 Sticky	Double Bit Error Mask. When this bit is set and the Double Bit Error AER Reporting Enable (DBEAEREN) bit is set in the Memory Error Control (MECTL) register, the corresponding bit in the AERUES register is masked. When a bit is masked in the AERUES register, the corresponding event is not logged in the advanced capability structure, the First Error Pointer field (FEPTR) in the AERCTL register is not updated, and an error is not reported to the root complex. This bit does not affect the state of the corresponding bit in the AERUES register. When the DBEAEREN bit is cleared, this field is read-only zero.

Notes

AERUESV - AER Uncorrectable Error Severity (0x10C)

Bit Field	Field Name	Type	Default Value	Description
0	UDEF	RW	0x0 Sticky	Undefined. This bit is no longer used in this version of the specification.
3:1	Reserved	RO	0x0	Reserved field.
4	DLPERR	RW	0x1 Sticky	Data Link Protocol Error Severity. If the corresponding event is not masked in the AERUEM register, then when the event occurs, this bit controls the severity of the reported error. If this bit is set, the event is reported as a fatal error. When this bit is cleared, the event is reported as an uncorrectable error.
5	SDOENERR	RW	0x1 Sticky	Surprise Down Error Severity. If the corresponding event is not masked in the AERUEM register, then when the event occurs, this bit controls the severity of the reported error. If this bit is set, the event is reported as a fatal error. When this bit is cleared, the event is reported as an uncorrectable error.
11:6	Reserved	RO	0x0	Reserved field.
12	POISONED	RW	0x0 Sticky	Poisoned TLP Status Severity. If the corresponding event is not masked in the AERUEM register, then when the event occurs, this bit controls the severity of the reported error. If this bit is set, the event is reported as a fatal error. When this bit is cleared, the event is reported as an uncorrectable error.
13	FCPERR	RW	0x1 Sticky	Flow Control Protocol Error Severity. If the corresponding event is not masked in the AERUEM register, then when the event occurs, this bit controls the severity of the reported error. If this bit is set, the event is reported as a fatal error. When this bit is cleared, the event is reported as an uncorrectable error.
14	COMPTO	RO	0x0	Completion Time-out Severity. A switch port does not initiate non-posted requests on its own behalf. Therefore, this field is hardwired to zero.
15	CABORT	RO	0x0	Completer Abort Severity. The PES24T3G2 never responds to a non-posted request with a completer abort.
16	UECOMP	RW	0x0 Sticky	Unexpected Completion Severity. If the corresponding event is not masked in the AERUEM register, then when the event occurs, this bit controls the severity of the reported error. If this bit is set, the event is reported as a fatal error. When this bit is cleared, the event is reported as an uncorrectable error.
17	RCVOVR	RW	0x1 Sticky	Receiver Overflow Severity. If the corresponding event is not masked in the AERUEM register, then when the event occurs, this bit controls the severity of the reported error. If this bit is set, the event is reported as a fatal error. When this bit is cleared, the event is reported as an uncorrectable error.
18	MAL-FORMED	RW	0x1 Sticky	Malformed TLP Severity. If the corresponding event is not masked in the AERUEM register, then when the event occurs, this bit controls the severity of the reported error. If this bit is set, the event is reported as a fatal error. When this bit is cleared, the event is reported as an uncorrectable error.

Notes

Bit Field	Field Name	Type	Default Value	Description
19	ECRC	RW	0x0 Sticky	ECRC Severity. If the corresponding event is not masked in the AERUEM register, then when the event occurs, this bit controls the severity of the reported error. If this bit is set, the event is reported as a fatal error. When this bit is cleared, the event is reported as an uncorrectable error.
20	UR	RW	0x0 Sticky	UR Severity. If the corresponding event is not masked in the AERUEM register, then when the event occurs, this bit controls the severity of the reported error. If this bit is set, the event is reported as a fatal error. When this bit is cleared, the event is reported as an uncorrectable error.
21	ACSV	RW	0x0 Sticky	ACS Violation Severity. If the corresponding event is not masked in the AERUEM register, then when the event occurs, this bit controls the severity of the reported error. If this bit is set, the event is reported as a fatal error. When this bit is cleared, the event is reported as an uncorrectable error.
30:22	Reserved	RO	0x0	
31	DBE	RW	0x0 Sticky	Double Bit Error Severity. If the corresponding event is not masked in the AERUEM register, then when the event occurs, this bit controls the severity of the reported error. If this bit is set, the event is reported as a fatal error. When this bit is cleared, the event is reported as an uncorrectable error. When the DBEAEREN bit is cleared, this field is read-only zero.

AERCES - AER Correctable Error Status (0x110)

Bit Field	Field Name	Type	Default Value	Description
0	RCVERR	RW1C	0x0 Sticky	Receiver Error Status. This bit is set when the physical layer detects a receiver error.
5:1	Reserved	RO	0x0	Reserved field.
6	BADTLP	RW1C	0x0 Sticky	Bad TLP Status. This bit is set when a bad TLP is detected.
7	BADDLLP	RW1C	0x0 Sticky	Bad DLLP Status. This bit is set when a bad DLLP is detected.
8	RPLYROVR	RW1C	0x0 Sticky	Replay Number Rollover Status. This bit is set when a replay number rollover has occurred indicating that the data link layer has abandoned replays and has requested that the link be retrained.
11:9	Reserved	RO	0x0	Reserved field.
12	RPLYTO	RW1C	0x0 Sticky	Replay Timer Time-Out Status. This bit is set when the replay timer in the data link layer times out.
13	ADVISO- RYNF	RW1C	0x0 Sticky	Advisory Non-Fatal Error Status. This bit is set when an advisory non-fatal error is detected as described in Section 6.2.3.2.4 of the PCIe base 1.1 specification.
30:14	Reserved	RO	0x0	Reserved field.

Notes

Bit Field	Field Name	Type	Default Value	Description
31	SBE	RW1C	0x0 Sticky	Single Bit Error Status. When the Single Bit Error AER Reporting Enable (SBEAEREN) bit is set in the Memory Error Control (MECTL) register, this bit is set whenever a single bit error is detected in any memory associated with the port. When the SBEAEREN bit is cleared, this field is read-only zero.

AERCESM - AER Correctable Error Mask (0x114)

Bit Field	Field Name	Type	Default Value	Description
0	RCVERR	RW	0x0 Sticky	Receiver Error Mask. When this bit is set, the corresponding bit in the AERCES register is masked. When a bit is masked in the AERCES register, the corresponding event is not reported to the root complex.
5:1	Reserved	RO	0x0	Reserved field.
6	BADTLP	RW	0x0 Sticky	Bad TLP Mask. When this bit is set, the corresponding bit in the AERCES register is masked. When a bit is masked in the AERCES register, the corresponding event is not reported to the root complex.
7	BADDLLP	RW	0x0 Sticky	Bad DLLP Mask. When this bit is set, the corresponding bit in the AERCES register is masked. When a bit is masked in the AERCES register, the corresponding event is not reported to the root complex.
8	RPLYROVR	RW	0x0 Sticky	Replay Number Rollover Mask. When this bit is set, the corresponding bit in the AERCES register is masked. When a bit is masked in the AERCES register, the corresponding event is not reported to the root complex.
11:9	Reserved	RO	0x0	Reserved field.
12	RPLYTO	RW	0x0 Sticky	Replay Timer Time-Out Mask. When this bit is set, the corresponding bit in the AERCES register is masked. When a bit is masked in the AERCES register, the corresponding event is not reported to the root complex.
13	ADVISO-RYNF	RW	0x1 Sticky	Advisory Non-Fatal Error Mask. When this bit is set, the corresponding bit in the AERCES register is masked. When a bit is masked in the AERCES register, the corresponding event is not reported to the root complex.
30:14	Reserved	RO	0x0	Reserved field.

Notes

Bit Field	Field Name	Type	Default Value	Description
31	SBE	RW	0x0 Sticky	Single Bit Error Mask. When this bit is set and the Single Bit Error AER Reporting Enable (SBEAEREN) bit is set in the Memory Error Control (MECTL) register, the corresponding bit in the AERCES register is masked. When a bit is masked in the AERCES register, the corresponding event is not logged in the advanced capability structure, the First Error Pointer field (FEPTR) in the AERCTL register is not updated, and an error is not reported to the root complex. This bit does not affect the state of the corresponding bit in the AERCES register. When the SBEAEREN bit is cleared, this field is read-only zero.

AERCTL - AER Control (0x118)

Bit Field	Field Name	Type	Default Value	Description
4:0	FEPTR	RO	0x0 Sticky	First Error Pointer. This field contains a pointer to the bit in the AERUES register that resulted in the first reported error.
5	ECRCGC	RWL	0x1	ECRC Generation Capable. This bit indicates if the device is capable of generating ECRC.
6	ECRCGE	RW	0x0 Sticky	ECRC Generation Enable. When this bit is set, ECRC generation is enabled.
7	ECRCCC	RWL	0x1	ECRC Check Capable. This bit indicates if the device is capable of checking ECRC.
8	ECRCCE	RW	0x0 Sticky	ECRC Check Enable. When set, this bit enables ECRC checking.
31:9	Reserved	RO	0x0	Reserved field.

AERHL1DW - AER Header Log 1st Doubleword (0x11C)

Bit Field	Field Name	Type	Default Value	Description
31:0	HL	RO	0x0 Sticky	Header Log. This field contains the 1st doubleword of the TLP header that resulted in the first reported uncorrectable error.

AERHL2DW - AER Header Log 2nd Doubleword (0x120)

Bit Field	Field Name	Type	Default Value	Description
31:0	HL	RO	0x0 Sticky	Header Log. This field contains the 2nd doubleword of the TLP header that resulted in the first reported uncorrectable error.

Notes

AERHL3DW - AER Header Log 3rd Doubleword (0x124)

Bit Field	Field Name	Type	Default Value	Description
31:0	HL	RO	0x0 Sticky	Header Log. This field contains the 3rd doubleword of the TLP header that resulted in the first reported uncorrectable error.

AERHL4DW - AER Header Log 4th Doubleword (0x128)

Bit Field	Field Name	Type	Default Value	Description
31:0	HL	RO	0x0 Sticky	Header Log. This field contains the 4th doubleword of the TLP header that resulted in the first reported uncorrectable error.

Device Serial Number Enhanced Capability

SNUMCAP - Serial Number Capabilities (0x180)

Bit Field	Field Name	Type	Default Value	Description
15:0	CAPID	RO	0x3	Capability ID. The value of 0x3 indicates a device serial number capability structure.
19:16	CAPVER	RO	0x1	Capability Version. The value of 0x1. indicates compatibility with version 1 of the specification.
31:20	NXTPTR	RWL	0x0	Next Pointer.

SNUMLDW - Serial Number Lower Doubleword (0x184)

Bit Field	Field Name	Type	Default Value	Description
31:0	SNUM	RWL	0x0 Sticky	Lower 32-bits of Device Serial Number. This field contains the lower 32-bits of the IEEE defined 64-bit extended unique identifier (EUI-64) assigned to the device.

SNUMUDW - Serial Number Upper Doubleword (0x188)

Bit Field	Field Name	Type	Default Value	Description
31:0	SNUM	RWL	0x0 Sticky	Upper 32-bits of Device Serial Number. This field contains the upper 32-bits of the IEEE defined 64-bit extended unique identifier (EUI-64) assigned to the device.

Notes

PCI Express Virtual Channel Capability

PCIEVCECAP - PCI Express VC Enhanced Capability Header (0x200)

Bit Field	Field Name	Type	Default Value	Description
15:0	CAPID	RO	0x2	Capability ID. The value of 0x2. indicates a virtual channel capability structure.
19:16	CAPVER	RO	0x1	Capability Version. The value of 0x1. indicates compatibility with version 1 of the specification.
31:20	NXTPTR	RWL	0x0	Next Pointer. The value of 0x0 indicates that there are no extended capabilities.

PVCCAP1- Port VC Capability 1 (0x204)

Bit Field	Field Name	Type	Default Value	Description
2:0	EVCCNT	RO	0x0	Extended VC Count. The value 0x0 indicates only implementation of the default VC.
3	Reserved	RO	0x0	Reserved field.
6:4	LPEVCCNT	RO	0x0	Low Priority Extended VC Count. The value of 0x0 indicates only implementation of the default VC.
7	Reserved	RO	0x0	Reserved field.
9:8	REFCLK	RO	0x0	Reference Clock. WRR is not implemented.
11:10	PATBSIZ	RO	Upstream: 0x2 Downstream: 0x0	Port Arbitration Table Entry Size. This field indicates the size of the port arbitration table in the device. For the upstream port, the is set to 0x2 to indicate a table with 4-bit entries. For downstream ports, this value is set to 0x0. 0x0 - (bit1) Port arbitration table is 1-bit 0x1 - (bit2) Port arbitration table is 2-bits 0x2 - (bit4) Port arbitration table is 4-bits 0x3 - (bit8) Port arbitration table is 8-bits
31:12	Reserved	RO	0x0	Reserved field.

Notes

PVCCAP2- Port VC Capability 2 (0x208)

Bit Field	Field Name	Type	Default Value	Description
7:0	VCARBCAP	RO	0x0	VC Arbitration Capability. This field indicates the type of VC arbitration that is supported by the port for the low priority VC group. This field is valid for all ports that report a low priority extended VC count greater than zero. Each bit in this field corresponds to a VC arbitration capability. bit 0 - hardware fixed arbitration (i.e., round robin) bit 1 - weighted round robin (WRR) with 32 phases bit 2 - weighted round robin (WRR) with 64 phases bit 3 - weighted round robin (WRR) with 128 phases bits 4 through 7 - reserved
23:8	Reserved	RO	0x0	Reserved field.
31:24	VCATBLOFF	RO	0x0	VC Arbitration Table Offset. This field contains the offset of the VC arbitration table from the base address of the Virtual Channel Capability structure in double quad words (16 bytes). The value of zero indicates that the VC arbitration table is not present.

PVCCTL - Port VC Control (0x20C)

Bit Field	Field Name	Type	Default Value	Description
0	LVCAT	RO	0x0	Load VC Arbitration Table. This bit, when set, updates the VC arbitration logic from the VC Arbitration Table for the VC resource. Since the device does not implement a VC arbitration table, this field has no functional effect. This bit always returns 0 when read.
3:1	VCARBSEL	RW	0x0	VC Arbitration Select. This field configures the VC arbitration by selecting one of the supported arbitration schemes indicated by the VC arbitration capability field (i.e., the VCARBCAP field in the PVCCAP2 register). Since the device supports only VC0, this field has no functional effect.
15:4	Reserved	RO	0x0	Reserved field.

PVCSTS - Port VC Status (0x20E)

Bit Field	Field Name	Type	Default Value	Description
0	VCATS	RO	0x0	VC Arbitration Table Status. This bit indicates the coherency status of the VC arbitration table. Since the device supports only VC0, this field has no functional effect and is always zero.
15:1	Reserved	RO	0x0	Reserved field.

Notes

VCR0CAP- VC Resource 0 Capability (0x210)

Bit Field	Field Name	Type	Default Value	Description
7:0	PARBC	RO	Upstream: 0x3 Downstream: 0x1	Port Arbitration Capability. This field indicates the type of port arbitration supported by the VC. Each bit corresponds to a Port Arbitration capability. When more than one arbitration scheme is supported, multiple bits may be set. The upstream port supports hardware fixed round robin and weighted round robin with 32 phases. Downstream ports support only hardware fixed round robin. bit 0 - hardware fixed round robin bit 1 - weighted round robin with 32 phases bit 2 - weighted round robin with 64 phases bit 3 - weighted round robin with 128 phases bit 4 - time-based weighted round robin with 128 phases bit 5 - weighted round robin with 256 phases
13:8	Reserved	RO	0x0	Reserved field.
14	APS	RO	0x0	Advanced Packet Switching. Not supported.
15	RJST	RO	0x0	Reject Snoop Transactions. No supported for switch ports.
22:16	MAXTS	RO	0x0	Maximum Time Slots. Since this VC does not support time-based WRR, this field is not valid.
23	Reserved	RO	0x0	Reserved field.
31:24	PATBLOFF	RO	Upstream: 0x2 Downstream: 0x0	Port Arbitration Table Offset. This field contains the offset of the port arbitration table from the base address of the Virtual Channel Capability structure in double quad words (16 bytes). The upstream port has a port arbitration table. Downstream ports do not have a port arbitration table.

VCR0CTL- VC Resource 0 Control (0x214)

Bit Field	Field Name	Type	Default Value	Description
7:0	TCVCMAP	bit 0 RO bits 1 through 7 RW	0xFF	TC/VC Map. This field indicates the TCs that are mapped to the VC resource. Each bit corresponds to a TC. When a bit is set, the corresponding TC is mapped to the VC.
15:8	Reserved	RO	0x0	Reserved field.

Notes

Bit Field	Field Name	Type	Default Value	Description
16	LPAT	RW	0x0	Load Port Arbitration Table. This bit, when set, updates the Port Arbitration logic from the Port Arbitration Table for the VC resource. In addition, this field is only valid when the Port Arbitration Table is used by the selected Port Arbitration scheme (that is indicated by a set bit in the Port Arbitration Capability field selected by Port Arbitration Select). Software sets this bit to signal hardware to update Port Arbitration logic with new values stored in Port Arbitration Table; clearing this bit has no effect. Software uses the Port Arbitration Table Status bit to confirm whether the new values of Port Arbitration Table are completely latched by the arbitration logic. This bit only has an effect in the upstream port. This bit always returns 0 when read.
19:17	PARBSEL	RW	0x0	Port Arbitration Select. This field configures the VC resource to provide a particular Port Arbitration service. The permissible values of this field is a number that corresponds to one of the asserted bits in the Port Arbitration Capability field of the VC resource.
23:20	Reserved	RO	0x0	Reserved field.
26:24	VCID	RO	0x0	VC ID. This field assigns a VC ID to the VC resource. Since the PES24T3G2 implements only a single VC, this field is hardwired to zero.
30:27	Reserved	RO	0x0	Reserved field.
31	VCEN	RO	0x1	VC Enable. This field, when set, enables a virtual channel. Since The PES24T3G2 implements only a single VC, this field is hardwired to one (enabled).

VCR0STS - VC Resource 0 Status (0x218)

Bit Field	Field Name	Type	Default Value	Description
15:0	Reserved	RO	0x0	Reserved field.
16	PATS	RO	0x0	Port Arbitration Table Status. This bit indicates the coherency status of the port arbitration table associated with the VC resource and is valid only when the port arbitration table is used by the selected arbitration algorithm. This bit is set when any entry of the port arbitration table is written by software and remains set until hardware finishes loading the value after software sets the LPAT field in the VCR0CTL register. This field is always zero for downstream ports.
17	VCNEG	RO	0x0	VC Negotiation Pending. Since the PES24T3G2 implements only a single VC (i.e., the default VC) this field indicates the status of the process of flow control initialization. This bit is cleared by hardware after the VC negotiation is complete (on exit from the FC_INIT2 state). The value of this field is defined only when the Link is in the DL_Active state and the Virtual Channel is enabled (its VC Enable bit is Set).

Notes

Bit Field	Field Name	Type	Default Value	Description
31:18	Reserved	RO	0x0	Reserved field.

VCR0TBL0 - VC Resource 0 Arbitration Table Entry 0 (0x220)

Bit Field	Field Name	Type	Default Value	Description
3:0	PHASE0	RW	0x1	Phase 0. This field contains the port ID for the corresponding port arbitration period. Selecting an invalid port ID results in the entry being skipped without delay. The port arbitration behavior when this field contains an illegal value (i.e., reserved or the egress port ID) is undefined. 0x0 - (port_0) Port 0 (upstream port) 0x1 - Reserved 0x2 - (port_2) Port 2 0x3 - Reserved 0x4 - (port_4) Port 4 0x5 through 0xF - Reserved
7:4	PHASE1	RW	0x2	Phase 1. This field contains the port ID for the corresponding port arbitration period.
11:8	PHASE2	RW	0x3	Phase 2. This field contains the port ID for the corresponding port arbitration period.
15:12	PHASE3	RW	0x4	Phase 3. This field contains the port ID for the corresponding port arbitration period.
19:16	PHASE4	RW	0x5	Phase 4. This field contains the port ID for the corresponding port arbitration period.
23:20	PHASE5	RW	0x6	Phase 5. This field contains the port ID for the corresponding port arbitration period.
27:24	PHASE6	RW	0x7	Phase 6. This field contains the port ID for the corresponding port arbitration period.
31:28	PHASE7	RW	0x1	Phase 7. This field contains the port ID for the corresponding port arbitration period.

VCR0TBL1 - VC Resource 0 Arbitration Table Entry 1 (0x224)

Bit Field	Field Name	Type	Default Value	Description
3:0	PHASE8	RW	0x2	Phase 8. This field contains the port ID for the corresponding port arbitration period.
7:4	PHASE9	RW	0x3	Phase 9. This field contains the port ID for the corresponding port arbitration period.
11:8	PHASE10	RW	0x4	Phase 10. This field contains the port ID for the corresponding port arbitration period.
15:12	PHASE11	RW	0x5	Phase 11. This field contains the port ID for the corresponding port arbitration period.

Notes

Bit Field	Field Name	Type	Default Value	Description
19:16	PHASE12	RW	0x6	Phase 12. This field contains the port ID for the corresponding port arbitration period.
23:20	PHASE13	RW	0x7	Phase 13. This field contains the port ID for the corresponding port arbitration period.
27:24	PHASE14	RW	0x1	Phase 14. This field contains the port ID for the corresponding port arbitration period.
31:28	PHASE15	RW	0x2	Phase 15. This field contains the port ID for the corresponding port arbitration period.

VCR0TBL2 - VC Resource 0 Arbitration Table Entry 2 (0x228)

Bit Field	Field Name	Type	Default Value	Description
3:0	PHASE16	RW	0x3	Phase 16. This field contains the port ID for the corresponding port arbitration period.
7:4	PHASE17	RW	0x4	Phase 17. This field contains the port ID for the corresponding port arbitration period.
11:8	PHASE18	RW	0x5	Phase 18. This field contains the port ID for the corresponding port arbitration period.
15:12	PHASE19	RW	0x6	Phase 19. This field contains the port ID for the corresponding port arbitration period.
19:16	PHASE20	RW	0x7	Phase 20. This field contains the port ID for the corresponding port arbitration period.
23:20	PHASE21	RW	0x1	Phase 21. This field contains the port ID for the corresponding port arbitration period.
27:24	PHASE22	RW	0x2	Phase 22. This field contains the port ID for the corresponding port arbitration period.
31:28	PHASE23	RW	0x3	Phase 23. This field contains the port ID for the corresponding port arbitration period.

VCR0TBL3 - VC Resource 0 Arbitration Table Entry 3 (0x22C)

Bit Field	Field Name	Type	Default Value	Description
3:0	PHASE24	RW	0x4	Phase 24. This field contains the port ID for the corresponding port arbitration period.
7:4	PHASE25	RW	0x5	Phase 25. This field contains the port ID for the corresponding port arbitration period.
11:8	PHASE26	RW	0x6	Phase 26. This field contains the port ID for the corresponding port arbitration period.
15:12	PHASE27	RW	0x7	Phase 27. This field contains the port ID for the corresponding port arbitration period.

Notes

Bit Field	Field Name	Type	Default Value	Description
19:16	PHASE28	RW	0x1	Phase 28. This field contains the port ID for the corresponding port arbitration period.
23:20	PHASE29	RW	0x2	Phase 29. This field contains the port ID for the corresponding port arbitration period.
27:24	PHASE30	RW	0x3	Phase 30. This field contains the port ID for the corresponding port arbitration period.
31:28	PHASE31	RW	0x4	Phase 31. This field contains the port ID for the corresponding port arbitration period.

Power Budgeting Enhanced Capability

PWRBCAP - Power Budgeting Capabilities (0x280)

Bit Field	Field Name	Type	Default Value	Description
15:0	CAPID	RWL	0x0	Capability ID. The value of 0x4 indicates a power budgeting capability structure. If the power budgeting capability is used, then this field should be initialized with data from a serial EEPROM.
19:16	CAPVER	RWL	0x0	Capability Version. The value of 0x1. indicates compatibility with version 1 of the specification. If the power budgeting capability is used, then this field should be initialized with data from a serial EEPROM.
31:20	NXTPTR	RWL	0x0	Next Pointer.

PWRBDSEL - Power Budgeting Data Select (0x284)

Bit Field	Field Name	Type	Default Value	Description
7:0	DVSEL	RW	0x0	Data Value Select. This field selects the Power Budgeting Data Value (PWRBDVx) register whose contents are reported in the Data (DATA) field of the Power Budgeting Data (PWRBD) register. Setting this field to a value greater than 7, causes zero to be returned in the DATA field of the PWRBD register.
31:8	Reserved	RO	0x0	Reserved field.

Notes

PWRBD - Power Budgeting Data (0x288)

Bit Field	Field Name	Type	Default Value	Description
31:0	DATA	RO	0x0	Data. If the Data Value Select (DVSEL) field in the Power Budgeting Data Select register contains a value of zero through 7, then this field returns the contents of the corresponding Power Budgeting Data Value (PWRBDVx) register. Otherwise, this field contains a value of zero.

PWRBPBC - Power Budgeting Power Budget Capability (0x28C)

Bit Field	Field Name	Type	Default Value	Description
0	SA	RWL	0x0	System Allocated. When this bit is set, it indicates that the power budget for the device is included within the system power budget and that reported power data for this device should be ignored. If the power budgeting capability is used, then this field should be initialized with data from a serial EEPROM.
31:1	Reserved	RO	0x0	Reserved field.

PWRBDV[7:0] - Power Budgeting Data Value [7:0] (0x300 - 0x31C)

Bit Field	Field Name	Type	Default Value	Description
31:0	DV	RW	Undefined Sticky	Data Value. This 32-bit field is used to hold power budget data in the format described in Section 7.15.3 in the PCIe 2.0 Base Specification. This field may be read and written when the Power Budgeting Data Value Unlock (PWRBDVUL) bit is set in the Switch Control (SWCTL) register. When the PWRBDVUL bit is cleared, this register is read-only and writes are ignored. If the power budgeting capability is used, then this field should be initialized with data from a serial EEPROM.

Switch Control and Status Registers

SWSTS - Switch Status (0x400)

Bit Field	Field Name	Type	Default Value	Description
2:0	SWMODE	RO	HWINIT	Switch Mode. These configuration pins determine the PES24T3G2 switch operating mode. 0x0 - Normal Switch Mode 0x1 - Normal Switch Mode with Serial EEPROM initialization 0x2 through 0x7 - reserved
4:3	Reserved	RO	0x0	Reserved field.

Notes

Bit Field	Field Name	Type	Default Value	Description
5	CCLKDS	RO	HWINIT	Common Clock Downstream. This bit reflects the value of the CCLKDS signal sampled during Fundamental Reset.
6	CCLKUS	RO	HWINIT	Common Clock Upstream. This bit reflects the value of the CCLKUS signal sampled during Fundamental Reset.
7	MSMB-SMODE	RO	HWINIT	Master SMBus Slow Mode. This bit reflects the value of the MSMBSMODE signal sampled during Fundamental Reset.
8	REFCLKM	RO	HWINIT	PCI Express Reference Clock Mode Select. This bit reflects the value of the REFCLKM signal sampled during Fundamental Reset.
9	RSTHALT	RO	HWINIT	Reset Halt. This bit reflects the value of the RSTHALT signal sampled during Fundamental Reset.
19:10	Reserved	RO	0x0	Reserved field.
22:20	LOCKMODE	RO	0x0	Lock Mode. This field reflects the current locked status of the switch. 0x0 - (unlocked) Upstream port is unlocked 0x1 - Reserved 0x2 - (port2locked) Upstream port is locked with port 2. 0x3 - (Reserved) 0x4 - (port4locked) Upstream port is locked with port 4. 0x5 - Reserved
27:23	Reserved	RO	0x0	Reserved field.
31:28	MARKER	RW	0x0 Sticky	Marker. This field is preserved across a hot reset and is available for general software use. A hot reset does not result in modification of this field.

SWCTL - Switch Control (0x404)

Bit Field	Field Name	Type	Default Value	Description
0	FRST	RW	0x0	Fundamental Reset. Writing a one to this bit initiates a Fundamental Reset. Writing a zero has no effect. This field always returns a value of zero when read. Writing of a one to this bit always results in the PES24T3G2 returning a completion to the requester before the action specified by this bit takes effect. See section Fundamental Reset on page 2-2 for the behavior of this bit.
1	HRST	RW	0x0	Hot Reset. Writing a one to this bit initiates a hot reset. Additionally, the upstream port's PHY initiates a full link retrain. Writing a zero has no effect. This field always returns a value of zero when read. Writing of a one to this bit always results in the PES24T3G2 returning a completion to the requester before the action specified by this bit takes effect. See section Hot Reset on page 2-5 for the behavior of this bit.

Notes

Bit Field	Field Name	Type	Default Value	Description
2	RSTHALT	RW	HWINIT Sticky	Reset Halt. When this bit is set, all of the switch logic except the SMBus interface remains in a reset state. In this state, registers in the device may be initialized by the slave SMBus interface. When this bit is cleared, normal operation ensues. Setting or clearing this bit has no effect following a reset operation. This bit may be set by asserting the RSTHALT signal during a reset operation or through initialization by the serial EEPROM.
3	REGUN- LOCK	RW	0x0 Sticky	Register Unlock. When this bit is set, the contents of registers and fields of type Read and Write when Unlocked (RWL) are modified when written to. When this bit is cleared, all registers and fields denoted as RWL become read-only. While the initial value of this field is cleared, it is set during a reset operation, thus allowing serial EEPROM initialization to modify the contents of RWL fields.
4	PWRBDVUL	RWL	0x0 Sticky	Power Budgeting Data Value Unlock. When this bit is set, the Power Budgeting Data Value [7:0] (PWRBDV[7:0]) registers in all ports may be read and written. When this bit is cleared, then the PWRBDV registers in all ports are read-only.
5	DLDRST	RW	0x0 Sticky	Disable Link Down Hot Reset. When this bit is set, hot resets due to the data link layer of the upstream port transitioning to the DL_Down state are disabled. All other hot reset conditions are unaffected by this bit.
6	DHRSTSEI	RW	0x0 Sticky	Disable Hot Reset Serial EEPROM Initialization. When this bit is set, step 6 "serial EEPROM initialization" is skipped in the hot reset sequence described in section Hot Reset on page 2-5 regardless of the selected switch operating mode.
7	DRO	RW	0x0 Sticky	Disable Relaxed Ordering. The switch implements relaxed ordering for TLPs with the relaxed ordering bit set. When the DRO bit is set, the switch strongly orders all transactions regardless of the state of the relaxed ordering bit in TLPs.
8	DP2P	RW	0x0 Sticky	Disable Peer-to-Peer Transactions. When this bit is set, all peer-to-peer transactions are disabled. In this mode, transactions received on a downstream port which are not destined to the upstream port are treated as an unsupported requests.

Notes

Bit Field	Field Name	Type	Default Value	Description
10:9	DDDNC	RW	0x0 Sticky	<p>Disable Downstream Device Number Checking. According to Section 7.3.1. Device Number in PCIe base 2.0, configuration requests specifying target device 0 in a bus number associated with a downstream link are delivered to the device attached to the link; configuration requests specifying all other device numbers (1-31) must be terminated by the switch downstream port with an unsupported request.</p> <p>This field controls the extent to which device numbers are checked by downstream ports.</p> <p>This field is present for backwards compatibility with earlier IDT switches that implement a proprietary version of ARI forwarding. This field has no functional effect on the operation of a port when the ARI Forwarding Enable (ARIFEN) bit is set in the port's PCI Express Device Control 2 (PCIEDCTL2) register.</p> <p>0x0 - (all) Inhibit the transmission of all TLPs that are routed by ID, specify a bus number associated with a downstream port link, and specify a device number other than zero.</p> <p>0x1 - (cfg) Inhibit the transmission of configuration request TLPs that are routed by ID, specify a bus number associated with a downstream port link, and specify a device number other than zero. Non-configuration request TLPs are delivered to the device attached to a link associated with a downstream switch port regardless of the specified device number.</p> <p>0x2 - (none) All TLPs are delivered to the device attached to a link associated with a downstream switch port regardless of the specified device number.</p> <p>0x3 - reserved</p>
11	EUIDC	RW	0x0 Sticky	<p>Enable Upstream Port ID Checking. Normally TLPs with a non-zero device number that target the bus number corresponding to the upstream link and are received on a downstream port are forwarded upstream and are emitted on the upstream link.</p> <p>When this bit is set, these request TLPs are treated as unsupported requests (UR) and completion TLPs are silently discarded. This field should be documented</p>
13:12	Reserved	RO	0x0	Reserved field.
14	CTDIS	RW	0x0 Sticky	<p>Disable Cut-Through Routing. When this bit is set, cut through routing of TLPs is disabled between all ports (i.e., they are routed in a stored and forwarded manner). When this bit is cleared, TLPs are routed in a cut-through manner when possible.</p>
15	LOCK-IGNORE	RW	0x0 Sticky	<p>Ignore Locked Transactions When this bit is set, all bus locking side-effects associated with locked transactions (e.g., MRdLk) are ignored and the TLPs are treated by the PES24T3G2 as normal TLPs (e.g., are routed normally through the switch).</p>
18:16	Reserved	RO	0x0	Reserved field.
19	BDISCARD	RW	0x0 Sticky	<p>Discard Vendor Defined Broadcast Messages. When this bit is set, vendor defined Type 1 broadcast messages received on the upstream port are silently discarded and not forwarded downstream.</p> <p>Silently discarding a TLP means that flow control credits are returned, TLP contents are discarded, and no error bits are set.</p>

Notes

Bit Field	Field Name	Type	Default Value	Description
31:20	Reserved	RO	0x0	Reserved field.

HPCFGCTL - Hot-Plug Configuration Control (0x408)

Bit Field	Field Name	Type	Default Value	Description
0	IPXAPN	RW	0x0 Sticky	Invert Polarity of PxAPN. When this bit is set, the polarity of the PxAPN input is inverted in all ports.
1	IPXPDN	RW	0x0 Sticky	Invert Polarity of PxPDN. When this bit is set, the polarity of the PxPDN input is inverted in all ports.
2	IPXPFN	RW	0x0 Sticky	Invert Polarity of PxPFN. When this bit is set, the polarity of the PxPFN input is inverted in all ports.
3	IPXMRLN	RW	0x0 Sticky	Invert Polarity of PxMRLN. When this bit is set, the polarity of the PxMRLN input is inverted in all ports.
4	IPXAIN	RW	0x0 Sticky	Invert Polarity of PxAIN. When this bit is set, the polarity of the PxAIN output is inverted in all ports.
5	IPXPIN	RW	0x0 Sticky	Invert Polarity of PxPIN. When this bit is set, the polarity of the PxPIN output is inverted in all ports.
6	IPXPEP	RW	0x0 Sticky	Invert Polarity of PxPEP. When this bit is set, the polarity of the PxPEP output is inverted in all ports.
7	IPXLOCKP	RW	0x0 Sticky	Invert Polarity of PxLOCKP. When this bit is set, the polarity of the PxLOCKP output is inverted in all ports.
8	IPXPWRGDN	RW	0x0 Sticky	Invert Polarity of PxPWRGDN. When this bit is set, the polarity of the PxPWRGDN input is inverted in all ports.
10:9	PDETECT	RW	0x0 Sticky	Presence Detect Control. This field controls the manner in which presence of an adapter in a slot is reported to the hot-plug controller associated with a downstream switch port. 0x0 - (both) Presence of an adapter in the slot is reported as the logical "OR" of the receiver detect mechanism selected by the RDETECT field in the PHYLCFG register and the hot-plug presence detect input (PxPDN). 0x1 - (signal) Presence of an adapter in the slot is reported as the state of the hot-plug presence detect input (PxPDN). 0x2 - (always) When selected this mode always informs the hot-plug controller that an adapter is present. 0x3 - (never) When selected this mode always informs the hot-plug controller that an adapter is not present.
11	MRLP-WROFF	RW	0x1 Sticky	When the MRL Automatic Power Off. When this bit is set and the Manual Retention Latch Present (MRLP) bit is set in the PCI Express Slot Capability (PCIESCAP) register, then power to the slot is automatically turned off when the MRL sensor indicates that the MRL is open. This occurs regardless of the state of the Power Controller Control (PCC) bit in the PCI Express Slot Control (PCIESCTL) register.

Notes

Bit Field	Field Name	Type	Default Value	Description
12	RMRLWEMIL	RW	0x0 Sticky	Replace MRL Status with EMIL Status. When this bit is set, the PxmRLN signal inputs are used as electromechanical lock state inputs.
13	TEMICTL	RW	0x0 Sticky	Toggle Electromechanical Interlock Control. When this bit is cleared, the Electromechanical Interlock (PxILOCKP) output is pulsed for at least 100 ms and at most 150 ms when a one is written to the EIC bit in the PCIESCTL register. When this bit is set, writing a one to the EIC register inverts the state of the PxILOCKP output.
15:14	RSTMODE	RW	0x0 Sticky	Reset Mode. This field controls the manner in which downstream port reset outputs are generated. 0x0 - (pec) Power enable controlled reset output 0x1 - (pgc) Power good controlled reset output 0x2 - Reserved 0x3 - Reserved
23:16	PWR2RST	RW	0x14 Sticky	Slot Power to Reset Negation. This field contains the delay from stable downstream port power to negation of the downstream port reset in units of 10 mS. A value of zero corresponds to no delay. This field may be used to meet the T_{PCPERL} specification. The default value corresponds to 200 mS.
31:24	RST2PWR	RW	0x14 Sticky	Reset Negation. This field contains the delay from negation of a downstream port's reset to disabling of a downstream port's power in units of 10 mS. A value of zero corresponds to no delay. The default value corresponds to 200 mS.

GPIOFUNC - General Purpose I/O Control Function (0x418)

Bit Field	Field Name	Type	Default Value	Description
15:0	GPIOFUNC	RW	0x0 Sticky	GPIO Function. Each bit in this field controls the corresponding GPIO pin. When set to a one, the corresponding GPIO pin operates as the alternate function as defined in Chapter 4, General Purpose I/O. When a bit is cleared to a zero, the corresponding GPIO pin operates as a general purpose I/O pin.
31:16	Reserved	RO	0x0	Reserved field.

Notes

GPIOCFG - General Purpose I/O Configuration (0x41C)

Bit Field	Field Name	Type	Default Value	Description
15:0	GPIOCFG	RW	0x0 Sticky	GPIO Configuration. Each bit in this field controls the corresponding GPIO pin. When a bit is configured as a general purpose I/O pin and the corresponding bit in this field is set, then the pin is configured as a GPIO output. When a bit is configured as a general purpose I/O pin and the corresponding bit in this field is zero, then the pin is configured as an input. When the pin is configured as an alternate function, the behavior of the pin is defined by the alternate function.
31:16	Reserved	RO	0x0	Reserved field.

GPIOD - General Purpose I/O Data (0x420)

Bit Field	Field Name	Type	Default Value	Description
15:0	GPIOD	RW	HWINIT Sticky	GPIO Data. Each bit in this field controls the corresponding GPIO pin. Reading this field returns the current value of each GPIO pin regardless of GPIO pin mode (i.e., alternate function or GPIO pin). Writing a value to this field causes the corresponding pins which are configured as GPIO outputs to change state to the value written.
31:16	Reserved	RO	0x0	Reserved field.

SMBUSSTS - SMBus Status (0x424)

Bit Field	Field Name	Type	Default Value	Description
0	Reserved	RO	0x0	Reserved field.
7:1	SSMBADDR	RO	HWINIT	Slave SMBus Address. This field contains the SMBus address assigned to the slave SMBus interface.
8	Reserved	RO	0x0	Reserved field.
15:9	MSMBADDR	RO	HWINIT	Master SMBus Address. This field contains the SMBus address assigned to the master SMBus interface.
23:16	Reserved	RO	0x0	Reserved field.
24	EEPROM-DONE	RO	0x0	Serial EEPROM Initialization Done. When the switch is configured to operate in a mode in which serial EEPROM initialization occurs during a Fundamental Reset, this bit is set when serial EEPROM initialization completes or when an error is detected.
25	NAERR	RW1C	0x0	No Acknowledge Error. This bit is set if an unexpected NACK is observed during a master SMBus transaction. The setting of this bit may indicate the following: that the addressed device does not exist on the SMBus (i.e., addressing error); data is unavailable or the device is busy; an invalid command was detected by the slave; or invalid data was detected by the slave.

Notes

Bit Field	Field Name	Type	Default Value	Description
26	LAERR	RW1C	0x0	Lost Arbitration Error. When the master SMBus interface loses arbitration for the SMBus, it automatically re-arbitrates for the SMBus. If the master SMBus interface loses 16 consecutive arbitration attempts, then the transaction is aborted and this bit is set.
27	OTHERERR	RW1C	0x0	Other Error. This bit is set if a misplaced START or STOP condition is detected by the master SMBus interface.
28	ICSERR	RW1C	0x0	Initialization Checksum Error. This bit is set if an invalid checksum is computed during Serial EEPROM initialization or when a configuration done command is not found in the serial EEPROM.
29	URIA	RW1C	0x0	Unmapped Register Initialization Attempt. This bit is set if an attempt is made to initialize via serial EEPROM a register that is not defined in the corresponding PCI configuration space.
31:30	Reserved	RO	0x0	Reserved field.

SMBUSCTL - SMBus Control (0x428)

Bit Field	Field Name	Type	Default Value	Description
15:0	MSMBCP	RW	HWNIT Sticky	Master SMBus Clock Prescaler. This field contains a clock prescaler value used during master SMBus transactions. The prescaler clock period is equal to 32 ns multiplied by the value in this field. When the field is cleared to zero or one, the clock is stopped. The initial value of this field is 0x0139 when the master SMBus is configured to operate in slow mode (i.e., 100 KHz) in the boot configuration and to 0x0053 ¹ when it is configured to operate in fast mode (i.e., 400 KHz).
16	MSMBIOM	RW	0x0 Sticky	Master SMBus Ignore Other Masters. When this bit is set, the master SMBus proceeds with transactions regardless of whether it won or lost arbitration.
17	ICHECKSUM	RW	0x0 Sticky	Ignore Checksum Errors. When this bit is set, serial EEPROM initialization checksum errors are ignored (i.e., the checksum always passes).
19:18	SSMBMODE	RW	0x0 Sticky	Slave SMBus Mode. The slave SMBus contains internal glitch counters on the SSMBCLK and SSMBDAT signals that wait approximately 1uS before sampling or driving these signals. This field allows the glitch counter time to be reduced or entirely removed. In some systems, this may permit high speed slave SMBus operation. 0x0 - (normal) Slave SMBus normal mode. Glitch counters operate with 1uS delay. 0x1 - (fast) Slave SMBus interface fast mode. Glitch counters operate with 100nS delay. 0x2 - (disabled) Slave SMBus interface with glitch counters disabled. Glitch counters operate with zero delay which effectively removes them. 0x3 - reserved.

Notes

Bit Field	Field Name	Type	Default Value	Description
21:20	MSMBMODE	RW	0x0 Sticky	Master SMBus Mode. The master SMBus contains internal glitch counters on the MSMBCLK and MSMBDAT signals that wait approximately 1uS before sampling or driving these signals. This field allows the glitch counter time to be reduced or entirely removed. In some systems, this may permit high speed master SMBus operation. 0x0 - (normal) Master SMBus normal mode. Glitch counters operate with 1uS delay. 0x1 - (fast) Master SMBus interface fast mode. Glitch counters operate with 100nS delay. 0x2 - (disabled) Master SMBus interface with glitch counters disabled. Glitch counters operate with zero delay which effectively removes them. 0x3 - reserved.
22	SMBDTO	RW	0x0	SMBus Disable Time-out. When this bit is set, SMBus time-outs are disabled on the master and slave SMBuses.
31:23	Reserved	RO	0x0	Reserved field.

¹ The MSMBCLK low minimum pulse width is equal to half the period programmed in this field. The value of 0x53, which corresponds to ~373 KHz, allows the min low pulse width to be satisfied. In systems where this timing parameter is not critical, the operating frequency may be increased.

EEPROMINTF - Serial EEPROM Interface (0x42C)

Bit Field	Field Name	Type	Default Value	Description
15:0	ADDR	RW	0x0	EEPROM Address. This field contains the byte address in the Serial EEPROM to be read or written.
23:16	DATA	RW	0x0	EEPROM Data. A write to this field will initiate a serial EEPROM read or write operation, as selected by the OP field, to the address specified in the ADDR field. When a write operation is selected, the value written to this field is the value written to the serial EEPROM. When a read operation is selected, the value written to this field is ignored and the value read from the serial EEPROM may be read from this field when the DONE bit is set.
24	BUSY	RO	0x0	EEPROM Busy. This bit is set when a serial EEPROM read or write operation is in progress. 0x0 - (idle) serial EEPROM interface idle 0x1 - (busy) serial EEPROM interface operation in progress
25	DONE	RW1C	0x0	EEPROM Operation Completed. This bit is set when a serial EEPROM operation has completed. 0x0 - (notdone) interface is idle or operation in progress 0x1 - (done) operation completed
26	OP	RW	0x0	EEPROM Operation Select. This field selects the type of EEPROM operation to be performed when the DATA field is written 0x0 - (write) serial EEPROM write 0x1 - (read) serial EEPROM read
31:27	Reserved	RO	0x0	Reserved field.

Notes

IOEXPINTF - I/O Expander Interface (0x430)

Bit Field	Field Name	Type	Default Value	Description
15:0	IOEDATA	RW	0x0	<p>I/O Expander Data. Each bit in this field corresponds to an I/O expander input/output signal. Reading this field returns the current value of the corresponding I/O pin state of the I/O expander number selected in the Select (SEL) field in this register (i.e., the input values last read from the I/O expander and output values supplied to the I/O expander).</p> <p>Writes to this field are ignored unless the I/O Expander Test Mode (IOEXTM) bit is set. When the IOEXTM bit is set, the value for outputs supplied to the I/O expander selected by the SEL field correspond to the value written to this field instead of the value supplied by internal logic. Bits in this field which correspond to inputs are always read-only, even when the IOEXTM bit is set.</p>
23:16	Reserved	RO	0x0	Reserved field.
24	RELOAD-IOEX	RW	0x0	<p>Reload I/O Expander Signals. Writing a one to this field results in an I/O expander SMBus transaction that refreshes all I/O expander input and output signal values in the IOEDATA field. This bit always returns a zero when read.</p>
25	IOEXTM	RW	0x0	<p>IO Expander Test Mode. Setting this bit puts the I/O expander interface into a test mode. In this test mode, I/O expander output signals generated by the PES24T3G2 core are ignored and values supplied to the I/O expander correspond to value written to the IOEDATA field when the RELOADIOEX bit is set.</p>
29:26	SELECT	RW	0x0	<p>I/O Expander Select. This field selects the I/O expander on which fields in this register operates.</p> <p>0x0 - (ioe0) I/O expander 0 0x1 - (ioe1) I/O expander 1 0x2 - (ioe2) I/O expander 2 0x3 - (ioe3) I/O expander 3 0x4 - (ioe4) I/O expander 4 others - reserved</p>
30	Reserved	RO	0x0	Reserved field.
31	DONE	RW1C	0x0	<p>I/O Expander Operation Done. This bit is set when any of the following conditions occur.</p> <p>RELOADIOEX bit in this register is written, the corresponding I/O expander is selected by the SELECT field in this register, and the corresponding IO expander SMBus transaction completes.</p> <p>The I/O expander is in test mode (i.e., IOEXTM bit set), the IOEDATA field is written with the RELOADIOEX bit set, the corresponding I/O expander is selected by the SELECT field in this register, and the corresponding IO expander SMBus transaction updating the I/O expander outputs completes.</p> <p>An I/O Expander Address (IOExADDR) field is written in an SMBus I/O Expander Address (IOEXPADRY) register, the corresponding I/O expander is selected by the SELECT field in this register, and the I/O expander initialization sequence completes.</p>

Notes

IOEXPADDR0 - SMBus I/O Expander Address 0 (0x434)

Bit Field	Field Name	Type	Default Value	Description
0	Reserved	RO	0x0	Reserved field.
7:1	IOE0ADDR	RWL	0x0 Sticky	I/O Expander 0 Address. This field contains the SMBus address assigned to I/O expander 0 on the master SMBus interface.
8	Reserved	RO	0x0	Reserved field.
15:9	IOE1ADDR	RWL	0x0 Sticky	I/O Expander 1 Address. This field contains the SMBus address assigned to I/O expander 1 on the master SMBus interface.
16	Reserved	RO	0x0	Reserved field.
23:17	IOE2ADDR	RWL	0x0 Sticky	I/O Expander 2 Address. This field contains the SMBus address assigned to I/O expander 2 on the master SMBus interface.
24	Reserved	RO	0x0	Reserved field.
31:25	IOE3ADDR	RWL	0x0 Sticky	I/O Expander 3 Address. This field contains the SMBus address assigned to I/O expander 3 on the master SMBus interface.

IOEXPADDR1 - SMBus I/O Expander Address 1 (0x438)

Bit Field	Field Name	Type	Default Value	Description
0	Reserved	RO	0x0	Reserved field.
7:1	IOE4ADDR	RWL	0x0 Sticky	I/O Expander 4 Address. This field contains the SMBus address assigned to I/O expander 4 on the master SMBus interface.
31:8	Reserved	RO	0x0	Reserved field.

GPECTL - General Purpose Event Control (0x450)

Bit Field	Field Name	Type	Default Value	Description
0	IGPE	RW	0x0 Sticky	Invert General Purpose Event Enable Signal Polarity. When this bit is set, the polarity of all General Purpose Event (GPEN) signals is inverted. 0x0 - (normal) GPEN signals are active low 0x1 - (invert) GPEN signals are active high
1	Reserved	RO	0x0	Reserved field.
2	P2GPEE	RW	0x0 Sticky	Port 2 General Purpose Event Enable. When this bit is set, the hot-plug INTx, MSI and PME event notification mechanisms defined by the PCIe base 2.0 specification are disabled for port 2 and are instead signalled through General Purpose Event (GPEN) signal assertions. GPEN is an alternate function of GPIO[7].
3	Reserved	RO	0x0	Reserved field.

Notes

Bit Field	Field Name	Type	Default Value	Description
4	P4GPEE	RW	0x0 Sticky	Port 4 General Purpose Event Enable. When this bit is set, the hot-plug INTx, MSI and PME event notification mechanisms defined by the PCIe base 2.0 specification are disabled for port 4 and are instead signalled through General Purpose Event (GPEN) signal assertions. GPEN is an alternate function of GPIO[7].
31:5	Reserved	RO	0x0	Reserved field.

GPESTS - General Purpose Event Status (0x454)

Bit Field	Field Name	Type	Default Value	Description
1:0	Reserved	RO	0x0	Reserved field.
2	P2GPES	RO	0x0	Port 2 General Purpose Event Status. When this bit is set, the corresponding port is signalling a general purpose event by asserting the GPEN signal. This bit is never set if the corresponding general purpose event is not enabled in the GPECTL register. GPEN is an alternate function of GPIO[7] and GPIO[7] is asserted only if enabled to operate as an alternate function.
3	Reserved	RO	0x0	Reserved field.
4	P4GPES	RO	0x0	Port 4 General Purpose Event Status. When this bit is set, the corresponding port is signalling a general purpose event by asserting the GPEN signal. This bit is never set if the corresponding general purpose event is not enabled in the GPECTL register. GPEN is an alternate function of GPIO[7] and GPIO[7] is asserted only if enabled to operate as an alternate function.
31:5	Reserved	RO	0x0	Reserved field.

SERDESCTL- SerDes Control (0x500)

Bit Field	Field Name	Type	Default Value	Description
7:0	Reserved	RO	0x0	Reserved field.
8	LSE	RW	0x0 Sticky	Low-Swing Mode Enable. When set, this bit enables Low-Swing mode operation at the SerDes Transmit logic. Please refer to section Low-Swing Transmitter Voltage Mode on page 3-10 for further details. 0x0 - Full-Swing Mode 0x1 - Low-Swing Mode
31:9	Reserved	RO	0x0	Reserved field.

Notes

PHYLCFG0 - Phy Link Configuration 0 (0x530)

Bit Field	Field Name	Type	Default Value	Description
12:0	Reserved	RO	0x0	Reserved field.
13	SCLINKEN	RW	0x0 Sticky	Self Cross Link Enable. When this bit is set, crosslink training of a port to itself is enabled (i.e., the serial transmit lines of the port may be connected to the serial receive lines of the same port). This bit has no effect when the CLINKDIS bit in this register is set to 0x1. Please refer to section Crosslink on page 3-10 for further details.
14	ILSCC	RW	Upstream: 0x1 Down- stream: 0x0 Sticky	Initial Link Speed Change Control. This field determines whether a port automatically initiates a speed change to Gen2 speed, if Gen2 speed is permissible, after initial entry to L0 from Detect. 0x0 - (automatic) Automatically initiate speed change to Gen2 speed, if permissible, after the first entry to L0 from Detect. 0x1 - (nochange) Do not automatically initiate a speed change to Gen2 speed, stay in Gen1 speed.
18:15	Reserved	RO	0x0	Reserved field.
21:19	TLW	RW	0x7	Target Link Width. This field indicates the target link width when doing dynamic upconfiguration or downconfiguration of the link (section Dynamic Link Width Reconfiguration on page 3-3). 0x0 - Target Link Width = x1 0x1 - Target Link Width = x2 0x2 - Target Link Width = x4 0x3 - Target Link Width = x8 0x4 - Reserved 0x5 - Reserved 0x6 - Reserved 0x7 - Target Link Width = Maximum Link Width (MAXLNK-WDTH in the PCIELCAP register) When performing link width downconfiguration, the value in this field must be less than the Negotiated Link Width (NLW) field in the PCIELSTS register. When performing link width upconfiguration, the value written into the TLW field must be greater than the NLW field and less than the ILW field in the PCIELSTS register. Link width upconfiguration or downconfiguration takes effect when the Link Retrain (LRET) bit in the PCIELCTL register is set. Software must not simultaneously change the Target Link Speed (TLS) field in the PCIELCTL2 together with this field before setting the LRET bit. When this occurs, the behavior of the PHY is undefined. This field takes on its default value when the link is fully retrained (i.e., the PHY LTSSM of the corresponding port transitions through the DETECT state).
31:22	Reserved	RO	0x0	Reserved field.

Notes

PHYLSTS0 - Phy Link Status 0 (0x538)

Bit Field	Field Name	Type	Default Value	Description
11:0	Reserved	RO	0x0	Reserved field.
13:12	RLWS	RO	0x0	Reconfigure Link Width Status. This field indicates the status of a link width upconfiguration or downconfiguration request. 0x0 - Idle (request not yet serviced) 0x1 - Success (re-configuration of the link succeeded) 0x2 - Problem (The link width was reconfigured, but did not reach the target link width) 0x3 - Failed (The link width was not re-configured) This field may be used by software to determine the success of dynamic upconfiguration or downconfiguration of links. Please refer to section Dynamic Link Width Reconfiguration on page 3-3 for further details.
15:14	Reserved	RO	0x0	Reserved field.
16	LPWUC	RO	0x0	Link Partner Width Upconfiguration Capability. This bit indicates a <u>link partner's</u> ability to upconfigure link widths. This bit reflects the state of the upconfigure_capable variable defined by the PCIe 2.0 specification.
31:17	Reserved	RO	0x0	Reserved field.

Notes

PHYSTATE0 - Phy Link State 0 (0x540)

Bit Field	Field Name	Type	Default Value	Description
4:0	LTSSMSTATE	RO	0x0	<p>Phy LTSSM State Machine State. This field contains the current state of the Phy Link Training and Status State Machine (LTSSM).</p> <p>0x0 - XMIT_EIOS 0x1 - TMOUT_1MS 0x2 - DET_QUIET 0x3 - DET_ACTIVE 0x4 - POL_ACTIVE 0x5 - POL_COMPLIANCE 0x6 - POL_CONFIG 0x7 - RESERVE_1 0x8 - CFG_LWIDTH_START 0x9 - CFG_LWIDTH_ACCEPT 0xA - CFG_LNUM_WAIT 0xB - CFG_LNUM_ACCEPT 0xC - CFG_COMPLETE 0xD - CFG_IDLE 0xE - RESERVE_2 0xF - OVR_TMOUT 0x10 - REC_RCVR_LOCK 0x11 - REC_RCVR_CFG 0x12 - REC_IDLE 0x13 - REC_SPEED 0x14 - L0 0x15 - L0s 0x16 - L1_ENTRY 0x17 - L1_IDLE 0x18 - L2_IDLE 0x19 - L2_XMIT_WAKE 0x1A - DISABLE 0x1B - HOT_RST 0x1C - LPBK_ENTRY 0x1D - LPBK_ACTIVE 0x1E - LPBK_EXIT 0x1F - IDT_TM</p>
30:5	Reserved	RO	0x0	Reserved field.
31	FLRET	RW	0x0	<p>Full Link Retrain. Writing a one to this field initiates full link retraining by directing the PHY LTSSM into the DETECT state. This bit always returns zero when read.</p> <p>Writing of a one to this bit always results in the PES24T3G2 returning a completion to the requester before the action specified by this bit takes effect.</p>

Notes

PHYPRBS - Phy PRBS Seed (0x55C)

Bit Field	Field Name	Type	Default Value	Description
15:0	SEED	RW	0xFFFF Sticky	Phy PRBS Seed Value. This field contains the PHY PRBS seed value used for crosslink operation. When the value in this register is modified, the PRBS counter associated with this seed is reset to the seed value and re-starts counting.
31:16	Reserved	RO	0x0	Reserved field.

Autonomous Link Reliability Management

ALRCTL - Autonomous Link Reliability Control (0x560)

Bit Field	Field Name	Type	Default Value	Description
0	EN	RW	0x0 Sticky	Enable. When set, the Autonomous Link Reliability mechanism described in section Autonomous Link Reliability Management on page 3-6 is enabled. 0x0 - Autonomous Link Reliability Management Disabled 0x1 - Autonomous Link Reliability Management Enabled
1	LET	RW	0x0 Sticky	Link Error Type. This field can be programmed to select the type of error monitored by the Autonomous Link Reliability Management logic. 0x0 - Individual Bit Errors (i.e., LCRC Errors) 0x1 - Link State Errors (i.e., LTSSM transitioning from the L0 to the Recovery state due to the following link errors: clock compensation FIFO underflow/overflow, electrical idle detected/inferred on the receiver, lane de-skew aligner errors, and DL layer errors that trigger link retraining). Note that it is only possible to count link errors that cause the port to initiate a link transition to Recovery. Link errors that cause the link partner to initiate entry into the Recovery state are not counted.
31:2	Reserved	RO	0x0	Reserved field.

Notes

ALRSTS - Autonomous Link Reliability Status (0x564)

Bit Field	Field Name	Type	Default Value	Description
0	ULD	RW1C	0x0 Sticky	Unreliable Link Detected. This bit is set by hardware to indicate that the Autonomous Link Reliability logic has detected an unreliable link. This occurs when the rate of errors in the link matches or exceeds the threshold value specified in the ALR-ERT register (i.e., the ENCNT field in the ALRCNT register is greater than or equal to the ERRT field in the ALRERT register). This bit is only set when the EN bit in the ALRCTL register is set. Once set, this bit is never cleared by hardware.
31:1	Reserved	RO	0x0	Reserved field.

ALRERT - Autonomous Link Reliability Error Rate Threshold (0x5680)

Bit Field	Field Name	Type	Default Value	Description
7:0	ERRT	RW	0xFF Sticky	Error Threshold. The value in this field represents the minimum number of errors that must be detected by the Autonomous Link Reliability Management logic in order to determine link unreliability. The value of 0x0 is 'Reserved'. When 0x0 is programmed into this field, the operation is undefined. Please refer to section Autonomous Link Reliability Management on page 3-6 for further details.
31:8	PERIOD	RW	0xFF_FFFF Sticky	Monitoring Period. The value in this field represents the time window (in units of micro-seconds) in which a number of errors equal to ERRT must be detected in order to determine link unreliability. A value of 0x0 is 'Reserved'. When 0x0 is programmed into this field, the operation is undefined. Please refer to section Autonomous Link Reliability Management on page 3-6 for further details.

Notes

ALRCNT - Autonomous Link Reliability Counter (0x56C)

Bit Field	Field Name	Type	Default Value	Description
7:0	ENCNT	RO	0x0	<p>Error Number Count. This field contains the count for the number of errors detected by the Autonomous Link Reliability Management logic. The count saturates at its maximum value. The value of this field is reset to 0x0 when the LRET bit in the PCIELCTL register is set, or when a DL_Down event occurs (i.e., LTSSM transitions through the Detect state). The value of this field is also reset to 0x0 when the EN bit in the ALRCS register transitions from zero to one. Else, this count stops counting when the Autonomous Link Reliability Management logic determines that a link is unreliable. Else, this count is re-started from 0x0 when the value of the MPCNT field in this register is equal to the value of the PERIOD field in the ALRERT register. This count remains active when the ALR mechanism is disabled. Please refer to section Autonomous Link Reliability Management on page 3-6 for further details.</p>
31:8	MPCNT	RO	0x0	<p>Monitoring Period Count. This field contains the count for the monitoring period associated with the Autonomous Link Reliability Management Logic. The count saturates at its maximum value. Note that the count is in units of micro-seconds. The value of this field is reset to 0x0 when the LRET bit in the PCIELCTL register is set, or when a full link retrain event occurs (i.e., LTSSM transitions through the Detect state). The value of this field is also reset to 0x0 when the EN bit in the ALRCS register transitions from zero to one. Else, this count stops counting when the Autonomous Link Reliability Management logic determines that a link is unreliable. Else, this field is re-started from 0x0 when its value is equal to the value of the PERIOD field in the ALRERT register. This count remains active when the ALR mechanism is disabled. Please refer to section Autonomous Link Reliability Management on page 3-6 for further details.</p>

Notes



JTAG Boundary Scan

Notes

Introduction

The JTAG Boundary Scan interface provides a way to test the interconnections between integrated circuit pins after they have been assembled onto a circuit board.

There are two pin types present in the PES24T3G2: AC-coupled and DC-coupled (also called AC and DC pins). The Boundary Scan interface in the PES24T3G2 is IEEE 1149.1 compliant to allow testing of the DC pins. The DC pins are those “normal” pins that do not require AC-coupling.

The presence of AC-coupling capacitors on some of the PES24T3G2 pins prevents DC values from being driven between a driver and receiver. An AC Boundary Scan methodology, as described in IEEE 1149.6, is available to provide a time-varying signal to pass through the AC-coupling when in AC test mode; however, IEEE 1149.6 is not supported in the PES24T3G2.

Test Access Point

The system logic utilizes a 16-state, TAP controller, a six-bit instruction register, and five dedicated pins to perform a variety of functions. The primary use of the JTAG TAP Controller state machine is to allow the five external JTAG control pins to control and access the PES24T3G2's many external signal pins. The JTAG TAP Controller can also be used for identifying the device part number. The JTAG logic of the PES24T3G2 is depicted in Figure 9.1.

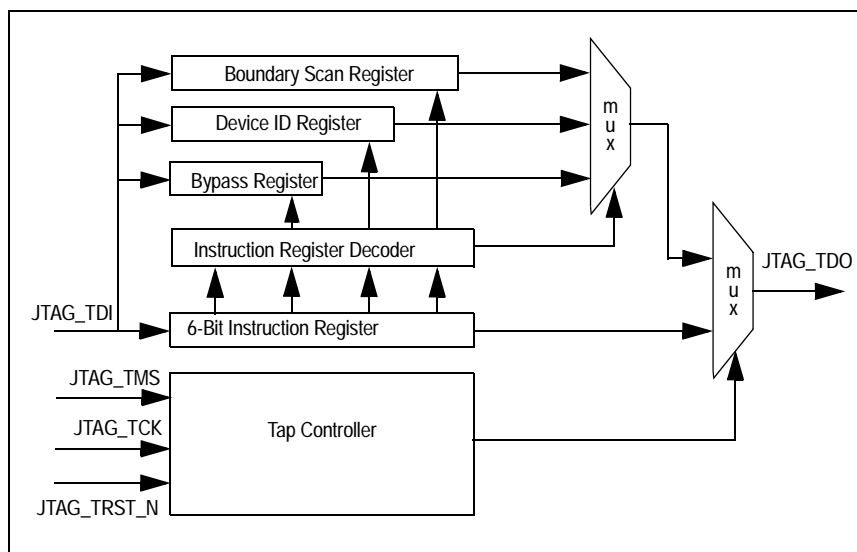


Figure 9.1 Diagram of the JTAG Logic

Refer to the IEEE 1149.1 document for an operational description of the Boundary Scan and TAP controller.

Signal Definitions

JTAG operations such as reset, state-transition control, and clock sampling are handled through the signals listed in Table 9.1. A functional overview of the TAP Controller and Boundary Scan registers is provided in the sections following the table.

Notes

Pin Name	Type	Description
JTAG_TRST_N	Input	JTAG RESET (active low) Asynchronous reset for JTAG TAP controller (internal pull-up)
JTAG_TCK	Input	JTAG Clock Test logic clock. JTAG_TMS and JTAG_TDI are sampled on the rising edge. JTAG_TDO is output on the falling edge.
JTAG_TMS	Input	JTAG Mode Select. Requires an external pull-up. Controls the state transitions for the TAP controller state machine (internal pull-up)
JTAG_TDI	Input	JTAG Input Serial data input for BSC chain, Instruction Register, IDCODE register, and BYPASS register (internal pull-up)
JTAG_TDO	Output	JTAG Output Serial data out. Tri-stated except when shifting while in Shift-DR and SHIFT-IR TAP controller states.

Table 9.1 JTAG Pin Descriptions

The TAP controller transitions from state to state, according to the value present on JTAG_TMS, as sampled on the rising edge of JTAG_TCK. The Test-Logic Reset state can be reached either by asserting JTAG_TRST_N or by applying a 1 to JTAG_TMS for five consecutive cycles of JTAG_TCK. A state diagram for the TAP controller appears in Figure 9.2. The value next to state represent the value that must be applied to JTAG_TMS on the next rising edge of JTAG_TCK, to transition in the direction of the associated arrow.

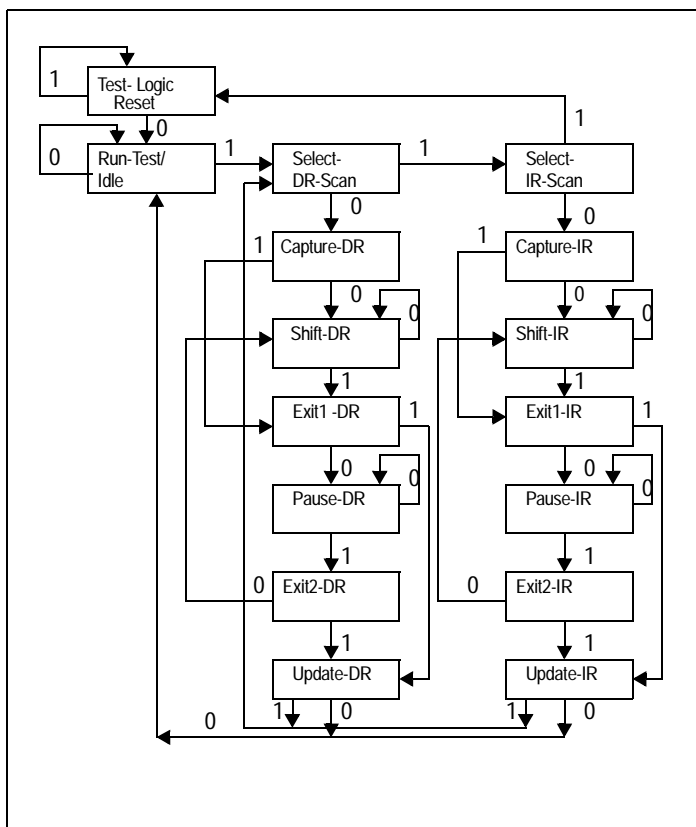


Figure 9.2 State Diagram of PES24T3G2's TAP Controller

Notes

Boundary Scan Chain

Function	Pin Name	Type ¹	Boundary Cell ²
PCI Express Interface	PE0RN[3:0]	I	O
	PE0RP[3:0]	I	O
	PE0TN[3:0]	O	C
	PE0TP[3:0]	O	
	PE2RN[3:0]	I	O
	PE2RP[3:0]	I	O
	PE2TN[3:0]	O	C
	PE2TP[3:0]	O	
	PE4RN[3:0]	I	O
	PE4RP[3:0]	I	O
	PE4TN[3:0]	O	C
	PE4TP[3:0]	O	
	PEREFCLKN	I	—
	PEREFCLKP	I	—
	REFCLKM	I	O
SMBus	MSMBADDR[4:1]	I	O
	MSMBCLK	I/O	O/C
	MSMBDAT	I/O	O/C
	SSMBADDR[5,3:1]	I	O
	SSMBCLK	I/O	O/C
	SSMBDAT	I/O	O/C
General Purpose I/O	GPIO[7:0]	I/O	O/C
System Pins	CCLKDS	I	O
	CCLKUS	I	O
	MSMBSMODE	I	O
	PERSTN	I	O
	RSTHALT	I	O
	SWMODE[2:0]	I	—
EJTAG / JTAG	JTAG_TCK	I	—
	JTAG_TDI	I	—
	JTAG_TDO	O	—
	JTAG_TMS	I	—
	JTAG_TRST_N	I	—
SerDes Reference Resistors	REFRES0	I/O	—
	REFRES1	I/O	—
	REFRES2	I/O	—
	REFRES3	I/O	—
	REFRES4	I/O	—
	REFRES5	I/O	—

Table 9.2 Boundary Scan Chain

¹ I = Input, O = Output² O = Observe, C = Control

Notes

Test Data Register (DR)

The Test Data register contains the following:

- ◆ Bypass register
- ◆ Boundary Scan registers
- ◆ Device ID register

These registers are connected in parallel between a common serial input and a common serial data output and are described in the following sections. For more detailed descriptions, refer to IEEE Standard Test Access Port (IEEE Std. 1149.1).

Boundary Scan Registers

This boundary scan chain is connected between JTAG_TDI and JTAG_TDO when EXTEST or SAMPLE/PRELOAD instructions are selected. Once EXTEST is selected and the TAP controller passes through the UPDATE-IR state, whatever value that is currently held in the boundary scan register's output latches is immediately transferred to the corresponding outputs or output enables.

Therefore, the SAMPLE/PRELOAD instruction must first be used to load suitable values into the boundary scan cells, so that inappropriate values are not driven out onto the system pins. All of the boundary scan cells feature a negative edge latch, which guarantees that clock skew cannot cause incorrect data to be latched into a cell. The input cells are sample-only cells. The simplified logic configuration is shown in Figure 9.3.

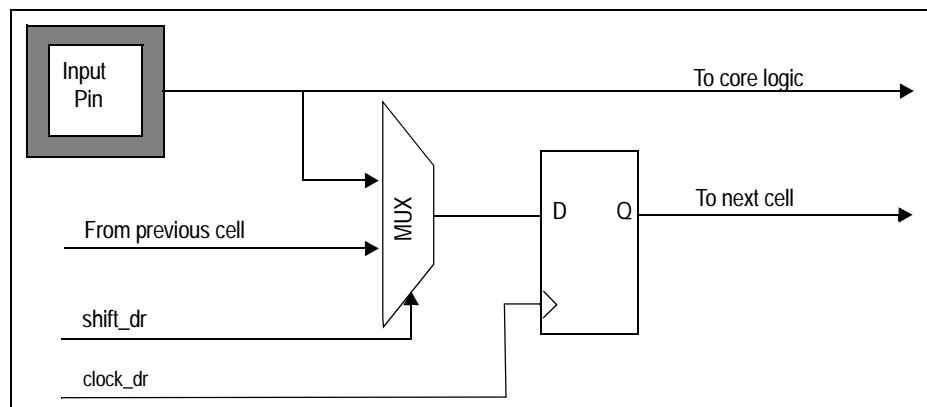


Figure 9.3 Diagram of Observe-only Input Cell

The simplified logic configuration of the output cells is shown in Figure 9.4.

Notes

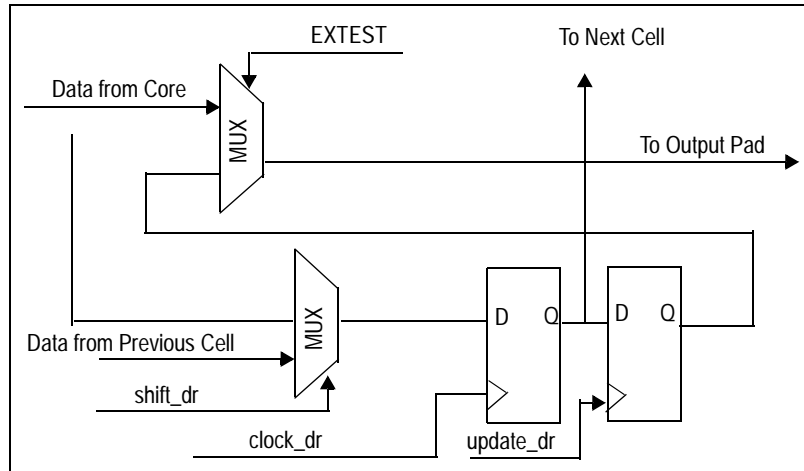


Figure 9.4 Diagram of Output Cell

The output enable cells are also output cells. The simplified logic is shown in Figure 9.5.

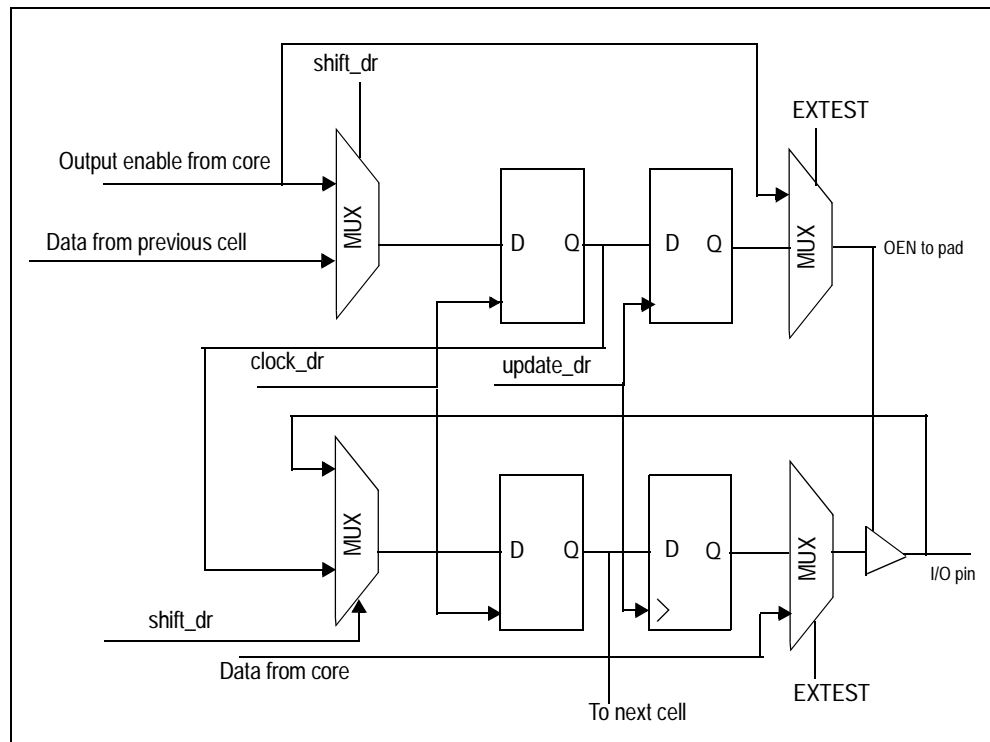


Figure 9.5 Diagram of Bidirectional Cell

The bidirectional cells are composed of only two boundary scan cells. They contain one output enable cell and one capture cell, which contains only one register. The input to this single register is selected via a mux that is selected by the output enable cell when EXTEST is disabled. When the Output Enable Cell is driving a high out to the pad (which enables the pad for output) and EXTEST is disabled, the Capture Cell will be configured to capture output data from the core to the pad.

However, in the case where the Output Enable Cell is low (signifying a tri-state condition at the pad) or EXTEST is enabled, the Capture Cell will capture input data from the pad to the core. The configuration is shown graphically in Figure 9.5.

Notes

Instruction Register (IR)

The Instruction register allows an instruction to be shifted serially into the device at the rising edge of JTAG_TCK. The instruction is then used to select the test to be performed or the test register to be accessed, or both. The instruction shifted into the register is latched at the completion of the shifting process, when the TAP controller is at the Update-IR state.

The Instruction register contains six shift-register-based cells that can hold instruction data. This register is decoded to perform the following functions:

- To select test data registers that may operate while the instruction is current. The other test data registers should not interfere with chip operation and selected data registers.
- To define the serial test data register path used to shift data between JTAG_TDI and JTAG_TDO during data register scanning.

The Instruction register is comprised of 6 bits to decode instructions, as shown in Table 9.3.

Instruction	Definition	Opcode
EXTEST	Mandatory instruction allowing the testing of board level interconnections. Data is typically loaded onto the latched parallel outputs of the boundary scan shift register using the SAMPLE/PRELOAD instruction prior to use of the EXTEST instruction. EXTEST will then hold these values on the outputs while being executed. Also see the CLAMP instruction for similar capability.	000000
SAMPLE/ PRELOAD	Mandatory instruction that allows data values to be loaded onto the latched parallel output of the boundary scan shift register prior to selection of the other boundary scan test instruction. The Sample instruction allows a snapshot of data flowing from the system pins to the on-chip logic or vice versa.	000001
IDCODE	Provided to select Device Identification to read out manufacturer's identity, part, and version number.	000010
HIGHZ	Tri-states all output and bidirectional boundary scan cells.	000011
RESERVED		000100 — 101100
VALIDATE	Automatically loaded into the instruction register whenever the TAP controller passes through the CAPTURE-IR state. The lower two bits '01' are mandated by the IEEE Std. 1149.1 specification.	101101
RESERVED		101110 — 111101
CLAMP	Provides JTAG users with the option to bypass the part's JTAG controller while keeping the part outputs controlled similar to EXTEST.	111110
BYPASS	The BYPASS instruction is used to truncate the boundary scan register as a single bit in length.	111111

Table 9.3 Instructions Supported by PES24T3G2's JTAG Boundary Scan

EXTEST

The external test (EXTEST) instruction is used to control the boundary scan register, once it has been initialized using the SAMPLE/PRELOAD instruction. Using EXTEST, the user can then sample inputs from or load values onto the external pins of the PES24T3G2. Once this instruction is selected, the user then uses the SHIFT-DR TAP controller state to shift values into the boundary scan chain. When the TAP controller passes through the UPDATE-DR state, these values will be latched onto the output pins or into the output enables.

Notes

SAMPLE/PRELOAD

The sample/preload instruction has a dual use. The primary use of this instruction is for preloading the boundary scan register prior to enabling the EXTEST instruction. Failure to preload will result in unknown random data being driven onto the output pins when EXTEST is selected. The secondary function of SAMPLE/PRELOAD is for sampling the system state at a particular moment. Using the SAMPLE function, the user can halt the device at a certain state and shift out the status of all of the pins and output enables at that time.

BYPASS

The BYPASS instruction is used to truncate the boundary scan register to a single bit in length. During system level use of the JTAG, the boundary scan chains of all the devices on the board are connected in series. In order to facilitate rapid testing of a given device, all other devices are put into BYPASS mode. Therefore, instead of having to shift many times to get a value through the PES24T3G2, the user only needs to shift one time to get the value from JTAG_TDI to JTAG_TDO. When the TAP controller passes through the CAPTURE-DR state, the value in the BYPASS register is updated to be 0.

CLAMP

This instruction, listed as optional in the IEEE 1149.1 JTAG Specifications, allows the boundary scan chain outputs to be clamped to fixed values. When the clamp instruction is issued, the bypass register is selected between TDI and TDO and the scan chain passes through this register to devices further downstream.

IDCODE

The IDCODE instruction is automatically loaded when the TAP controller state machine is reset either by the use of the JTAG_TRST_N signal or by the application of a '1' on JTAG_TMS for five or more cycles of JTAG_TCK as per the IEEE Std. 1149.1 specification. The least significant bit of this value must always be 1. Therefore, if a device has a Device ID register, it will shift out a 1 on the first shift if it is brought directly to the SHIFT-DR TAP controller state after the TAP controller is reset. The board-level tester can then examine this bit and determine if the device contains a Device ID register (the first bit is a 1), or if the device only contains a BYPASS register (the first bit is 0).

However, even if the device contains a Device ID register, it must also contain a BYPASS register. The only difference is that the BYPASS register will not be the default register selected during the TAP controller reset. When the IDCODE instruction is active and the TAP controller is in the Shift-DR state, the thirty-two bit value that will be shifted out of the Device ID register is shown in Figure 9.6.

Bit(s)	Mnemonic	Description	R/W	Reset
0	Reserved	Reserved	R	0x1
11:1	Manuf_ID	Manufacturer Identity (11 bits) This field identifies the manufacturer as IDT.	R	0x33
27:12	Part_number	Part Number (16 bits) This field identifies the silicon as PES24T3G2.	R	0x806A
31:28	Version	Version (4 bits) This field identifies the silicon revision of the PES24T3G2.	R	silicon-dependent

Table 9.4 System Controller Device Identification Register

Version	Part Number	Mnfg. ID	LSB
xxxx	1000 0000 0110 1010	0000 0011 011	1

Figure 9.6 Device ID Register Format

Notes

VALIDATE

The VALIDATE instruction is automatically loaded into the instruction register whenever the TAP controller passes through the CAPTURE-IR state. The lower two bits '01' are mandated by the IEEE Std. 1149.1 specification.

RESERVED

Reserved instructions implement various test modes used in the device manufacturing process. The user should not enable these instructions.

Usage Considerations

As previously stated, there are internal pull-ups on JTAG_TRST_N, JTAG_TMS, and JTAG_TDI. However, JTAG_TCK also needs to be driven to a known value. It is best to either drive a zero on the JTAG_TCK pin when it is not being used or to use an external pull-down resistor. In order to guarantee that the JTAG does not interfere with normal system operation, the TAP controller should be forced into the Test-Logic-Reset controller state by continuously holding JTAG_TRST_N low and/or JTAG_TMS high when the chip is in normal operation. If JTAG will not be used, externally pull-down JTAG_TRST_N low to disable it.