

## Important Notice

### Restrictions in Use

IDT's ZLED7030KIT-D1 Demo Kit hardware is designed for ZLED7030 demonstration, evaluation, laboratory setup, and module development only. The ZLED7030KIT-D1 Demo Kit hardware must not be used for module production or production test setups.

### Disclaimer

IDT shall not be liable for any damages arising out of defects resulting from

- (i) delivered hard- and software
- (ii) non-observance of instructions contained in this manual and in any other documentation provided to user, or
- (iii) misuse, abuse, use under abnormal conditions or alteration by anyone other than IDT.

To the extent permitted by law, IDT hereby expressly disclaims and user expressly waives any and all warranties, whether express, implied or statutory, including, without limitation, implied warranties of merchantability and of fitness for a particular purpose, statutory warranty of non-infringement and any other warranty that may arise by reason of usage of trade, custom or course of dealing.

## Contents

1	Kit Contents .....	2
2	Kit Description .....	2
2.1.	Overview .....	2
2.2.	Power Supply .....	2
2.3.	Interface .....	3
2.4.	Key Demo board features and benefits .....	3
2.5.	Circuit Operation .....	5
2.6.	Schematic Diagram .....	5
3	Ordering Information .....	6
4	Related Documents .....	6
5	Glossary .....	6
6	Document Revision History .....	6

## List of Figures

Figure 2.1	ZLED7030KIT-D1 Demo Board (Top View) .....	3
Figure 2.2	ZLED7030KIT-D1 Schematic Diagram .....	5

## List of Tables

Table 2.1	DC Input Voltages .....	4
-----------	-------------------------	---

## 1 Kit Contents

The ZLED7030KIT-D1 Demo Kit consists of the following parts:

- ZLED7030-D1 Demo Board VX.x
- Five ZLED7030 samples, SOP8 package
- *ZLED7030KIT-D1 Demo Kit Start-up Information*
- *Kit Disclaimer*

The ZLED7030KIT-D1 Demo Kit is fully assembled and ready for immediate operation.

## 2 Kit Description

### 2.1. Overview

The ZLED7030KIT-D1 Demo Kit provides a quick and easy method for evaluating the ZLED7030 within its basic application circuit. Reading the *ZLED7030 Data Sheet* before using the Demo Kit is recommended for understanding the operation of the ZLED7030 and the Demo Board.

The ZLED7030 includes a high-side output current sensing circuit, which uses an external resistor to set the nominal average output current. The ZLED7030 includes an integrated output switch which has a very low conducting impedance to ensure high system efficiency.

The ZLED7030 has switch dimming function. The chip detects external switch action to adjust output current, allowing for dimming functionality to be achieved without changing the original lighting system circuitry. The switch dimming is implemented in either two-level mode or three-level mode. The output current of every level and the total number of levels are customer selected by setting the corresponding input conditions of DIM1 and DIM2 pin.

The ZLED7030 IC is designed for LED current drive applications up to 1.2A. The main features of ZLED7030 driver are:

- Up to 1.2A output current.
- Wide input voltage range: 8.5V to 40V.
- Internal 40V power switch.
- High efficiency (> 90% possible).
- Up to 1MHz switching frequency.
- Inherent LED open-circuit/short-circuit protection.
- Thermal shutdown protection circuitry.
- Typical 5% output current accuracy.

The Demo Board contains a standard 4-pin terminal connector to allow the user to easily connect and supply a LED's board. The Demo Board also has two LED power pads (LED+ and LED-) to provide more flexibility in supplying a power LED or LED string. A 33uH shielded inductor was chosen to set nominal frequency around 300kHz. The shielded inductor is selected to minimize radiated EMI. The layout with any switching regulator is crucial to minimize radiated EMI. This reference design keeps the critical track lengths to a minimum. Ground has been maximized around critical areas.

Figure 2.1 shows the top view of the populated kit PCB.

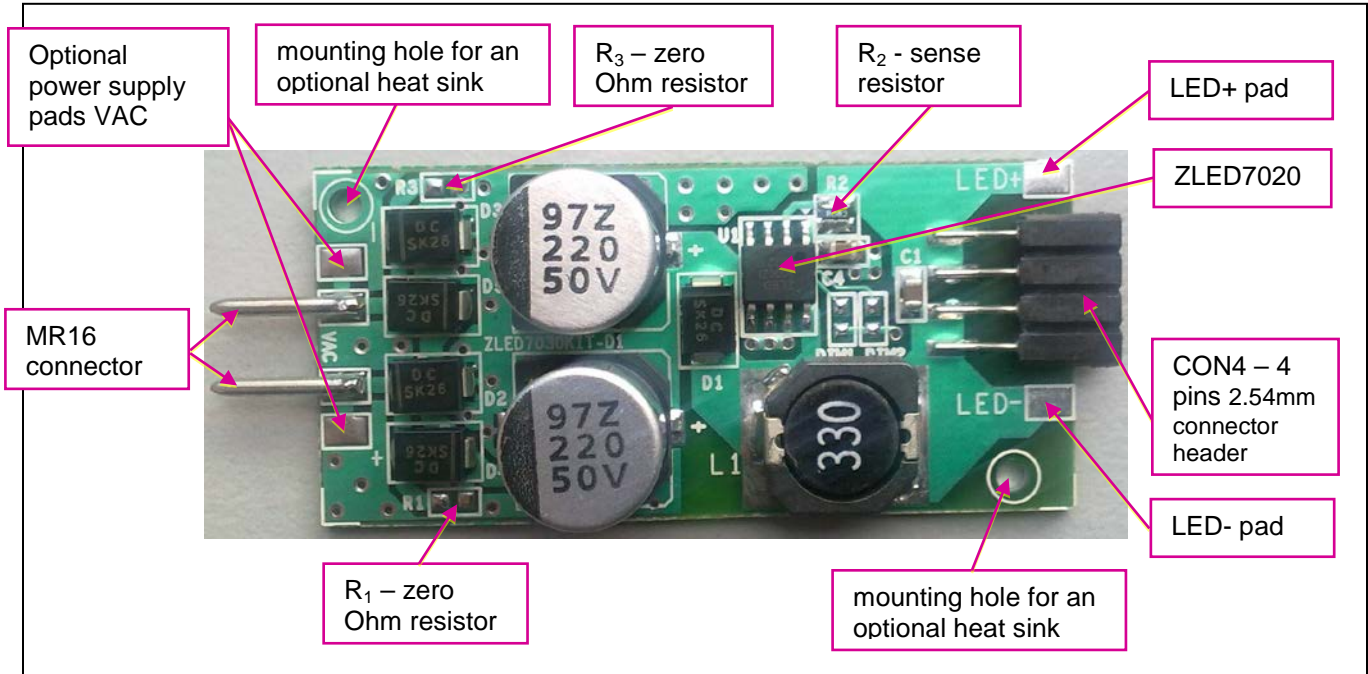
### 2.2. Power Supply

The board requires basically 12V, or above for LED strings, AC or DC power supply. Referring to circuit schematics at Figure 2.2, the shortcut solder joints could be used at R1 and R3, utilizing a zero ohm resistor in order to enable the pure DC operation.

**Care has to be taken in this case, since the system is not reverse polarity protected!**

The power supply is provided via a standard MR16 connector. In addition, there are two pads for an optional way of supplying the Demo Board.

**Figure 2.1 ZLED7030KIT-D1 Demo Board (Top View)**



### 2.3. Interface

MR16 – Standard male connector for power supply with wide input voltage range 6V to 40V.

VAC 3, 4 – Pads for an optional way of power supply.

CON4 – Standard 2.54mm female header with the following pins:

1, 2 – LED+ Positive pole of the ZLED7030 driver supply voltage.

3, 4 – LED- Negative pole of the ZLED7030 driver supply voltage.

DIM1, 2 – Setting of the output current of every level and the total number of levels for dimming function.

### 2.4. Key Demo Board Features and Benefits

- Wide input voltage range.
- Standard 4 pins 2.54mm header for attaching of LEDs and additional duplicate smd pads (LED- , LED+).
- Standard MR16 contact pins and additional duplicate smd pads for power supply.
- Coils footprint designed for various types of coils.
- 3.0mm holes for mounting of an optional heat sink.
- Solder jumpers for by-passing of the bridge rectifier (R1 and R3) in case of usage of an external DC supply.
- All devices SMD and on one side (TOP).
- Maximized power ground copper at top and bottom sides with thermal vias for good heat distribution.
- Easy heat sink attaching option (according to the exploitation conditions demands) at the bottom side.
- Bottom side without solder mask for better thermal contact with heat sink if attached.

- Track connecting R2 (current sense resistor) to ZLED7030 as short as possible (being sense tracks).
- The filter capacitor C1 is connected as close as possible to the LED output pins.
- The freewheeling current path is as short as possible to ensure system precision and efficiency.

## 2.5. Circuit Operation

Circuit operation has been evaluated taking into account maximum output current. The reference current is set to a maximum 1.2A but can be adjusted to any lower value by changing the sense resistor R2 according to the formula:

$$I_{ref} = 0.1 / R2, [A]$$

For R2 = 0.082 -> Iref = 1.2A

For detailed calculations, please refer to the ZLED7030 datasheet.

In *Table 2.1* the data related to the system supplied with a DC voltage ranges from 7 V to 30 V. For these tests the Schottky bridge was by-passed.

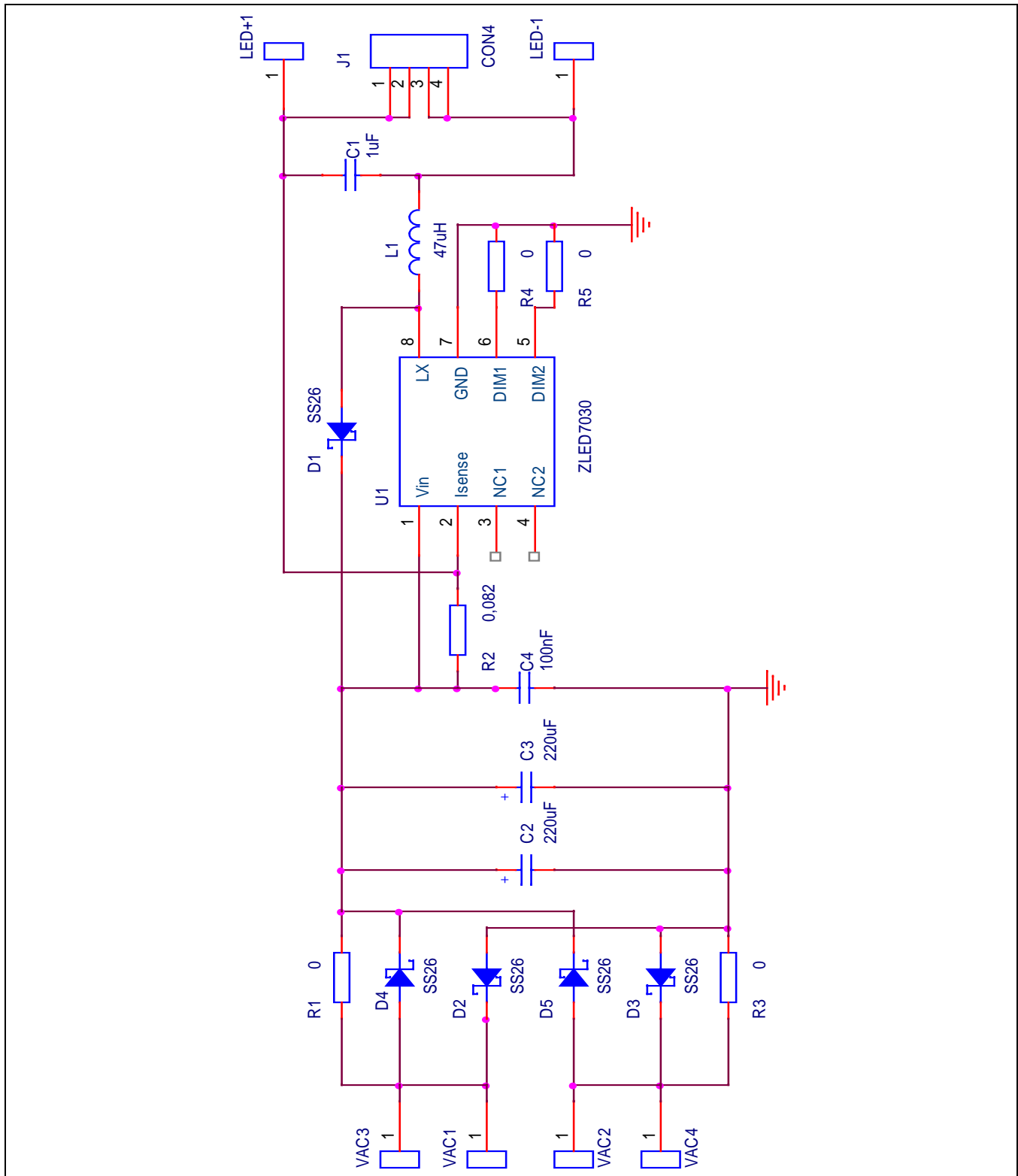
**Table 2.1 DC Input Voltages**

Uin [V]	Iin [A]	Uout [V]	Iout [A]	Pin [W]	Pout[W]	Efficiency [%]
7,00	0,784	3,85	1,209	5,488	4,65465	84,8
8,00	0,684	3,8	1,207	5,472	4,5866	83,8
9,00	0,607	3,78	1,208	5,463	4,56624	83,6
10,00	0,546	3,765	1,209	5,46	4,551885	83,4
12,00	0,457	3,752	1,211	5,484	4,543672	82,9
15,00	0,367	3,743	1,21	5,505	4,52903	82,3
20,00	0,278	3,735	1,213	5,56	4,530555	81,5
24,00	0,235	3,73	1,218	5,64	4,54314	80,6
30,00	0,191	3,727	1,224	5,73	4,561848	79,6

*Note: with by-passed bridge rectifier*

## 2.6. Schematic Diagram

Figure 2.2 ZLED7030KIT-D1 Schematic Diagram



### 3 Ordering Information

Product Sales Code	Description
ZLED7030KIT-D1	ZLED7030KIT-D1 Demo Kit V1.0 incl. 5 IC samples

### 4 Related Documents

Document
ZLED7030 Datasheet

Visit IDT's website [www.IDT.com](http://www.IDT.com) or contact your nearest sales office for the latest version of these documents.

### 5 Glossary

Term	Description
LED	Light Emitting Diode
MR16	Multifaceted Reflector
PCB	Printed Circuit Board
PWM	Pulse Width Modulation
SOP8	Small Outline Package

### 6 Document Revision History

Revision	Date	Description
1.0	May 12, 2010	Initial release
	May 10, 2016	Changed to IDT branding.



Corporate Headquarters  
6024 Silver Creek Valley Road  
San Jose, CA 95138  
[www.IDT.com](http://www.IDT.com)

Sales  
1-800-345-7015 or 408-284-8200  
Fax: 408-284-2775  
[www.IDT.com/go/sales](http://www.IDT.com/go/sales)

Tech Support  
[www.IDT.com/go/support](http://www.IDT.com/go/support)

DISCLAIMER Integrated Device Technology, Inc. (IDT) reserves the right to modify the products and/or specifications described herein at any time, without notice, at IDT's sole discretion. Performance specifications and operating parameters of the described products are determined in an independent state and are not guaranteed to perform the same way when installed in customer products. The information contained herein is provided without representation or warranty of any kind, whether express or implied, including, but not limited to, the suitability of IDT's products for any particular purpose, an implied warranty of merchantability, or non-infringement of the intellectual property rights of others. This document is presented only as a guide and does not convey any license under intellectual property rights of IDT or any third parties.

IDT's products are not intended for use in applications involving extreme environmental conditions or in life support systems or similar devices where the failure or malfunction of an IDT product can be reasonably expected to significantly affect the health or safety of users. Anyone using an IDT product in such a manner does so at their own risk, absent an express, written agreement by IDT.

Integrated Device Technology, IDT and the IDT logo are trademarks or registered trademarks of IDT and its subsidiaries in the United States and other countries. Other trademarks used herein are the property of IDT or their respective third party owners. For datasheet type definitions and a glossary of common terms, visit [www.idt.com/go/glossary](http://www.idt.com/go/glossary). All contents of this document are copyright of Integrated Device Technology, Inc. All rights reserved.