



Integrated Device Technology, Inc.  
6024 Silver Creek Valley Road, San Jose, CA 95138

## PRODUCT/PROCESS CHANGE NOTICE (PCN)

<b>PCN #:</b> TB-0510-14 <b>Product Affected:</b> 52 and 56 CABGA (Green & Standard); <span style="padding-left: 20px;">Shipped in Tape &amp; Reel</span> <b>Date Effective:</b> 13-Jan-2006	<b>DATE:</b> 14-Dec-2005	<b>MEANS OF DISTINGUISHING CHANGED DEVICES:</b> <input type="checkbox"/> Product Mark <input type="checkbox"/> Back Mark <input type="checkbox"/> Date Code <input checked="" type="checkbox"/> Other	Carrier tape design without pedestal
---	--------------------------	---	--------------------------------------

<b>Contact:</b> Geoffrey Cortes <b>Title:</b> Manager, Corporate Quality & Reliability <b>Phone #:</b> (408) 284-8321 <b>Fax #:</b> (408) 284-1450 <b>E-mail:</b> <a href="mailto:Geoffrey.Cortes@idt.com">Geoffrey.Cortes@idt.com</a>	<b>Attachment:</b> <input checked="" type="checkbox"/> Yes <input type="checkbox"/> No <b>Samples:</b> N/A
--	---

<b>DESCRIPTION AND PURPOSE OF CHANGE:</b>	
<input type="checkbox"/> Die Technology <input type="checkbox"/> Wafer Fabrication Process <input type="checkbox"/> Assembly Process <input type="checkbox"/> Equipment <input type="checkbox"/> Material <input type="checkbox"/> Testing <input type="checkbox"/> Manufacturing Site <input type="checkbox"/> Data Sheet <input checked="" type="checkbox"/> Other - Packaging	IDT has qualified and plans to use a new revision of carrier tape for above-mentioned products. New carrier tape has changes in pocket dimensions and design that enhances pick and place function during board mount process.  Attachment I - Additional information on new carrier tape Attachment II - Affected product list

**RELIABILITY/QUALIFICATION SUMMARY:**  
 There is no impact with regards to the package performance or reliability.

**CUSTOMER ACKNOWLEDGMENT OF RECEIPT:**  
 IDT records indicate that you require written notification of this change. Please use the acknowledgement below or E-Mail to grant approval or request additional information. If IDT does not receive acknowledgement within 30 days of this notice it will be assumed that this change is acceptable.

IDT reserves the right to ship either version manufactured after the process change effective date until the inventory on the earlier version has been depleted.

<b>Customer:</b> _____ <b>Name/Date:</b> _____ <b>Title:</b> _____	<input type="checkbox"/> <i>Approval for shipments prior to effective date.</i> <b>E-Mail Address:</b> _____ <b>Phone# /Fax# :</b> _____
--	--

**CUSTOMER COMMENTS:** \_\_\_\_\_

**IDT ACKNOWLEDGMENT OF RECEIPT:**

RECD. BY: \_\_\_\_\_ DATE: \_\_\_\_\_



Integrated Device Technology, Inc.  
6024 Silver Creek Valley Road, San Jose, CA 95138

## PRODUCT/PROCESS CHANGE NOTICE (PCN)

### ATTACHMENT I - PCN #: TB-0510-14

**PCN Type:** Packing/Shipping

**Data Sheet Change:** None

**Detail of Change:** New carrier tape has changes in pocket dimensions and design that enhances pick and place function during board mount process. New carrier tape is designed without pedestal, where pedestal height, K1 is zero and with increased pocket width, length and depth.

IDT will continue to ship products in existing carrier tape until the inventory has been depleted. Customer may receive shipment in existing and new carrier tape.

#### Qualification Test Plan and Result:

Description	Reject/Sample Size	Result
Peel Strength Test	0/3 strips	Pass
Visual/Mechanical	0/5 pockets	Pass
Surface Resistivity Test	0/5 pockets	Pass
Drop Test, 6 ft	0/18000 units	Pass
Dimensional	0/5 pockets	Pass



**PRODUCT/PROCESS CHANGE NOTICE (PCN)**

**ATTACHMENT I - PCN #: TB-0510-14**

**Existing Carrier Tape and New Carrier Tape**

Description	Existing Carrier Tape	New Carrier Tape
Pocket Width, Ao (mm)	4.8 ± 0.1	5.2 ± 0.1
Pocket Length, Bo (mm)	7.3 ± 0.1	7.7 ± 0.1
Pocket Depth, Ko (mm)	1.6 ± 0.1	1.8 ± 0.1
Pedestal Height, K1 (mm)	1.1 ± 0.1	NIL

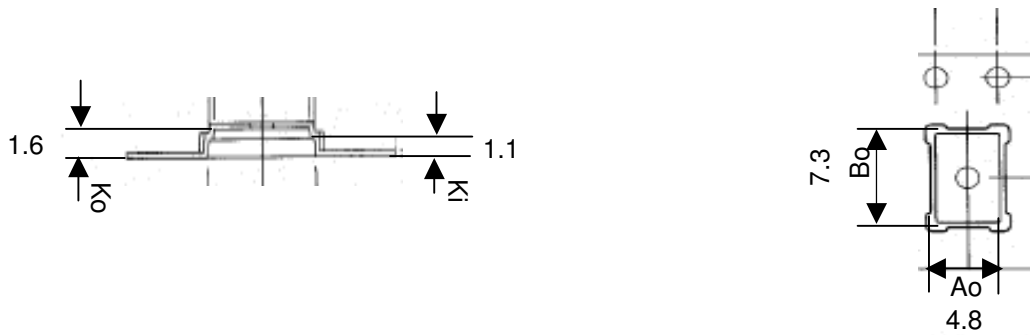


Figure 1: Existing Carrier Tape

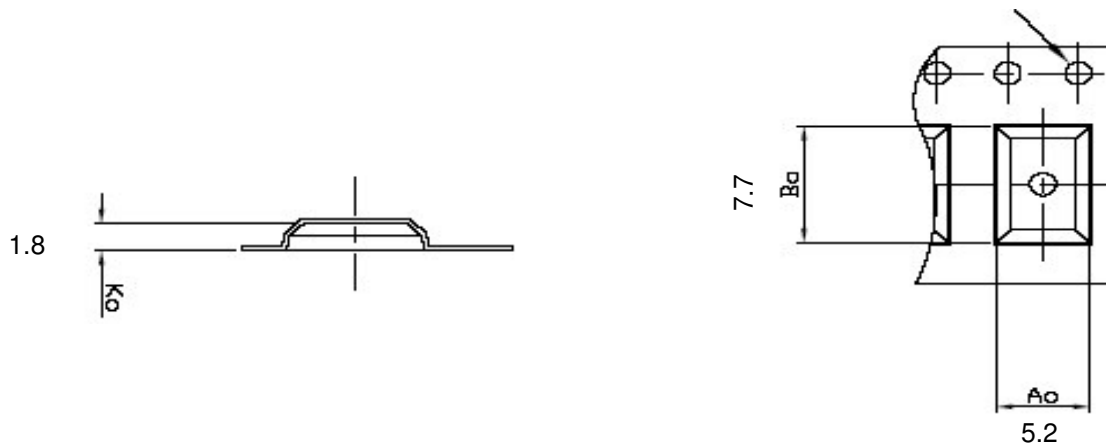


Figure 2: New Carrier Tape

ALL DIMENSIONS ARE IN MILLIMETERS



Integrated Device Technology, Inc.  
6024 Silver Creek Valley Road, San Jose, CA 95138

## PRODUCT/PROCESS CHANGE NOTICE (PCN)

### ATTACHMENT II - PCN #: TB-0510-14

#### Affected Part Number

IDT Part Number	IDT Part Number	IDT Part Number	IDT Part Number
IDT74AUC16245BVI	IDTCSPT857ABV	IDTCSPT857DBV	IDTCSPU877BVG
IDT74AUC16373BVI	IDTCSPT857BV	IDTCSPT857DBVG	IDTCSPU877DBVG
IDT74AUC16374BVI	IDTCSPT857BVI	IDTCSPT857DBVI	IDTCSPUA877ABVG
IDT74AUC164245BVI	IDTCSPT857CBV	IDTCSPU877ABV	IDTCSPUA877BVG
IDT74AUCH16245BVI	IDTCSPT857CBVG	IDTCSPU877ABVG	IDTCSPUA878BVG
IDT74AUCR16245BVI	IDTCSPT857CBVI	IDTCSPU877BV	IDTCSPUE877BVG

Note: For T&R (shipping method), suffix '8' is added to the part number