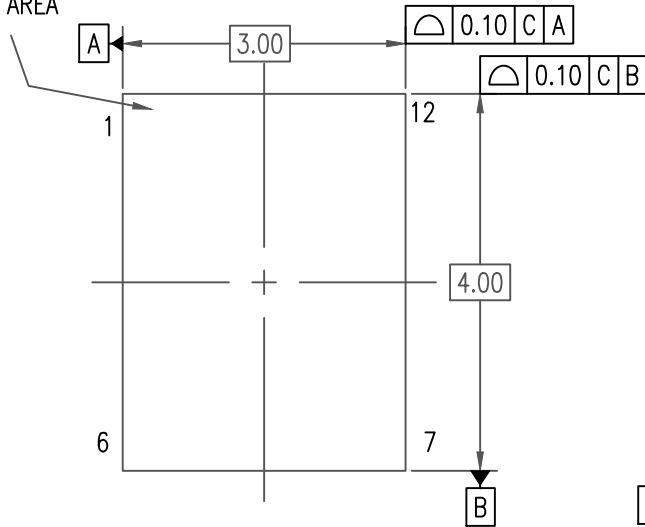
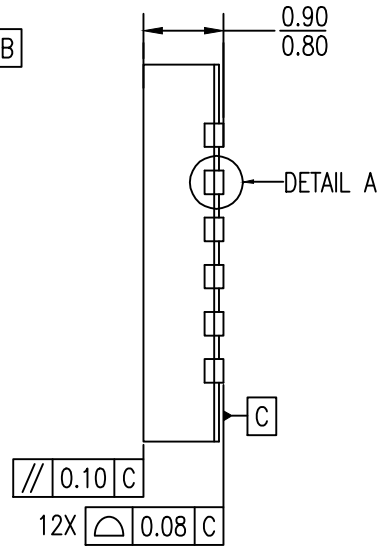


LASER MARK FOR
PIN 1 IDENTIFICATION
IN THIS AREA

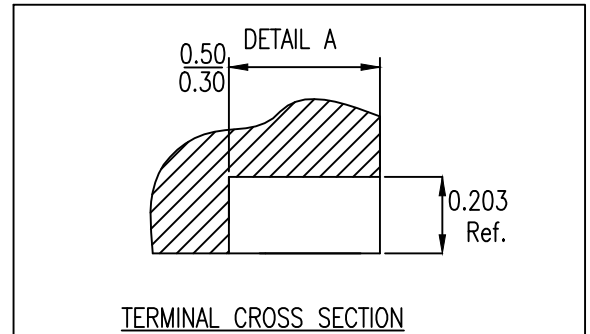
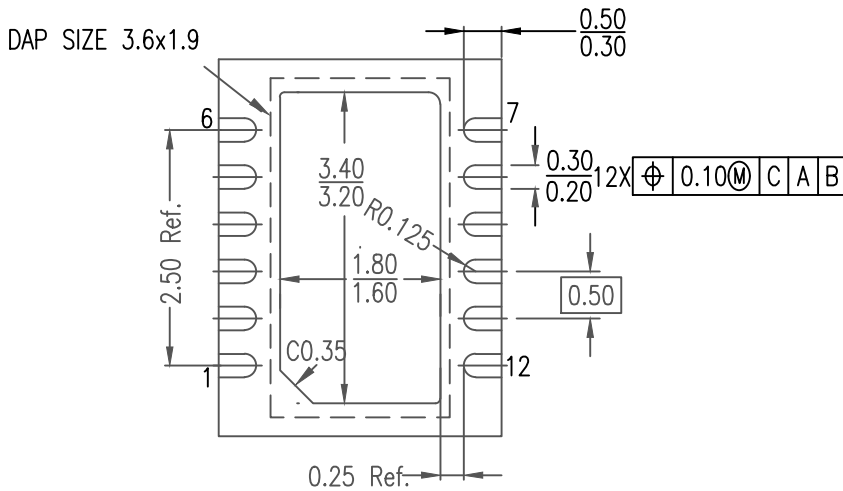
TOP VIEW



SIDE VIEW

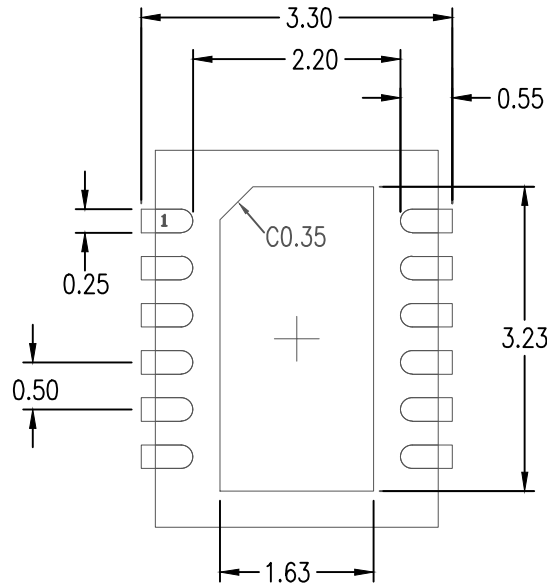


BOTTOM VIEW



FINOTES:

1. ALL DIMENSIONS ARE IN MILLIMETERS
2. DIMENSION & TOLERANCING CONFORM TO ASME Y14.5M-1994
3. THE PIN#1 IDENTIFIER MUST BE PLACED ON THE TOP SURFACE OF THE PACKAGE BY USING IDENTIFICATION MARK OR OTHER FEATURE OF PACKAGE BODY



RECOMMENDED LAND PATTERN DIMENSION

NOTES:

1. ALL DIMENSIONS ARE IN MM ANGLES IN DEGREES
2. TOP VIEW AS VIEWED IN PCB
3. LAND PATTERN RECOMMENDATION PER IPC-7351B GENERIC REQUIREMENT FOR SURFACE MOUNT DESIGN AND LAND PATTERN

| Package Revision History | | |
|--------------------------|---------|-----------------|
| Date Created | Rev No. | Description |
| Sept 15, 2017 | Rev 01 | New POD Format |
| Mar 24, 2016 | Rev 00 | Initial Release |