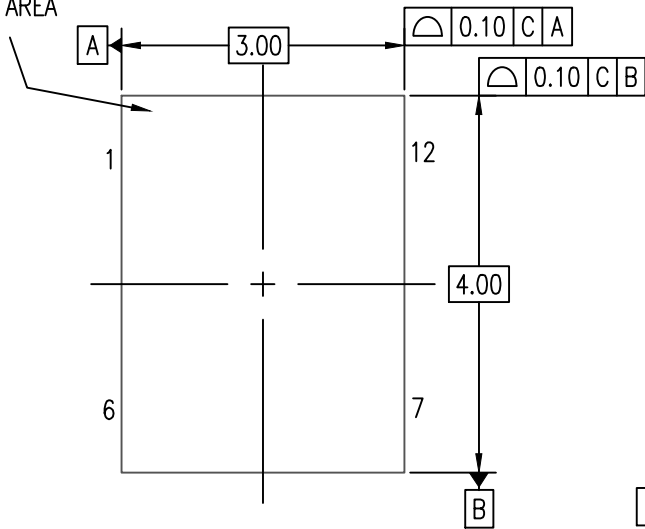
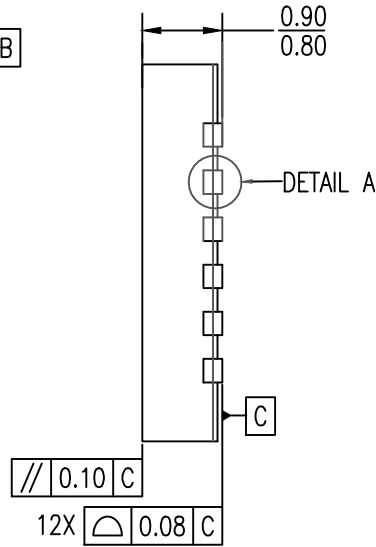


LASER MARK FOR
 PIN 1 IDENTIFICATION
 IN THIS AREA

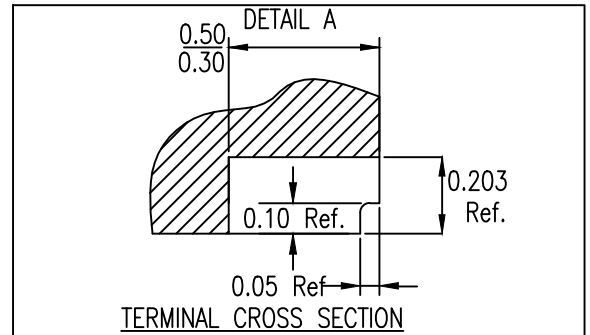
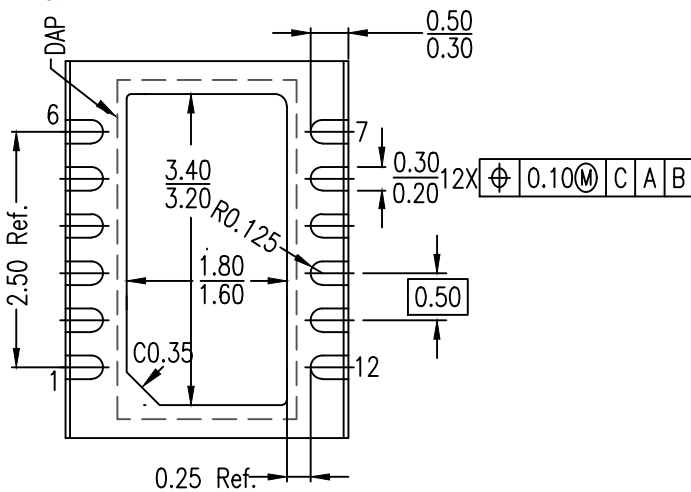
TOP VIEW



SIDE VIEW

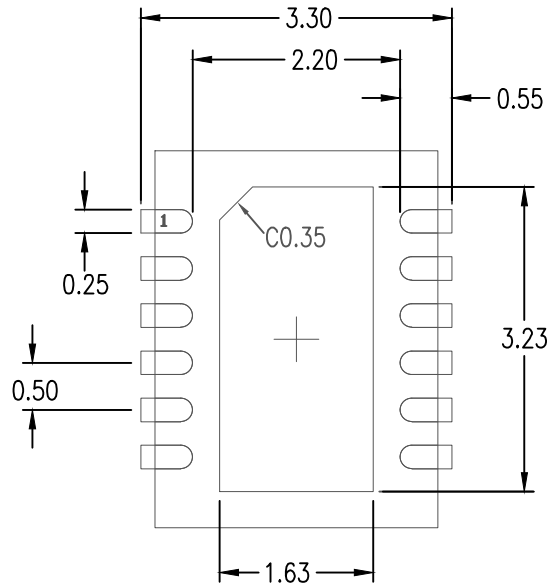


BOTTOM VIEW



NOTES:

1. ALL DIMENSIONS ARE IN MILLIMETERS
2. DIMENSION & TOLERANCING CONFORM TO ASME Y14.5M-1994
3. THE PIN#1 IDENTIFIER MUST BE PLACED ON THE TOP SURFACE OF THE PACKAGE BY USING IDENTIFICATION MARK OR OTHER FEATURE OF PACKAGE BODY



RECOMMENDED LAND PATTERN DIMENSION

NOTES:

1. ALL DIMENSIONS ARE IN MM ANGLES IN DEGREES
2. TOP VIEW AS VIEWED IN PCB
3. LAND PATTERN RECOMMENDATION PER IPC-7351B GENERIC REQUIREMENT FOR SURFACE MOUNT DESIGN AND LAND PATTERN

Package Revision History		
Date Created	Rev No.	Description
Aug 28, 2014	Rev 03	Correct right dimension "A" New Pod Format