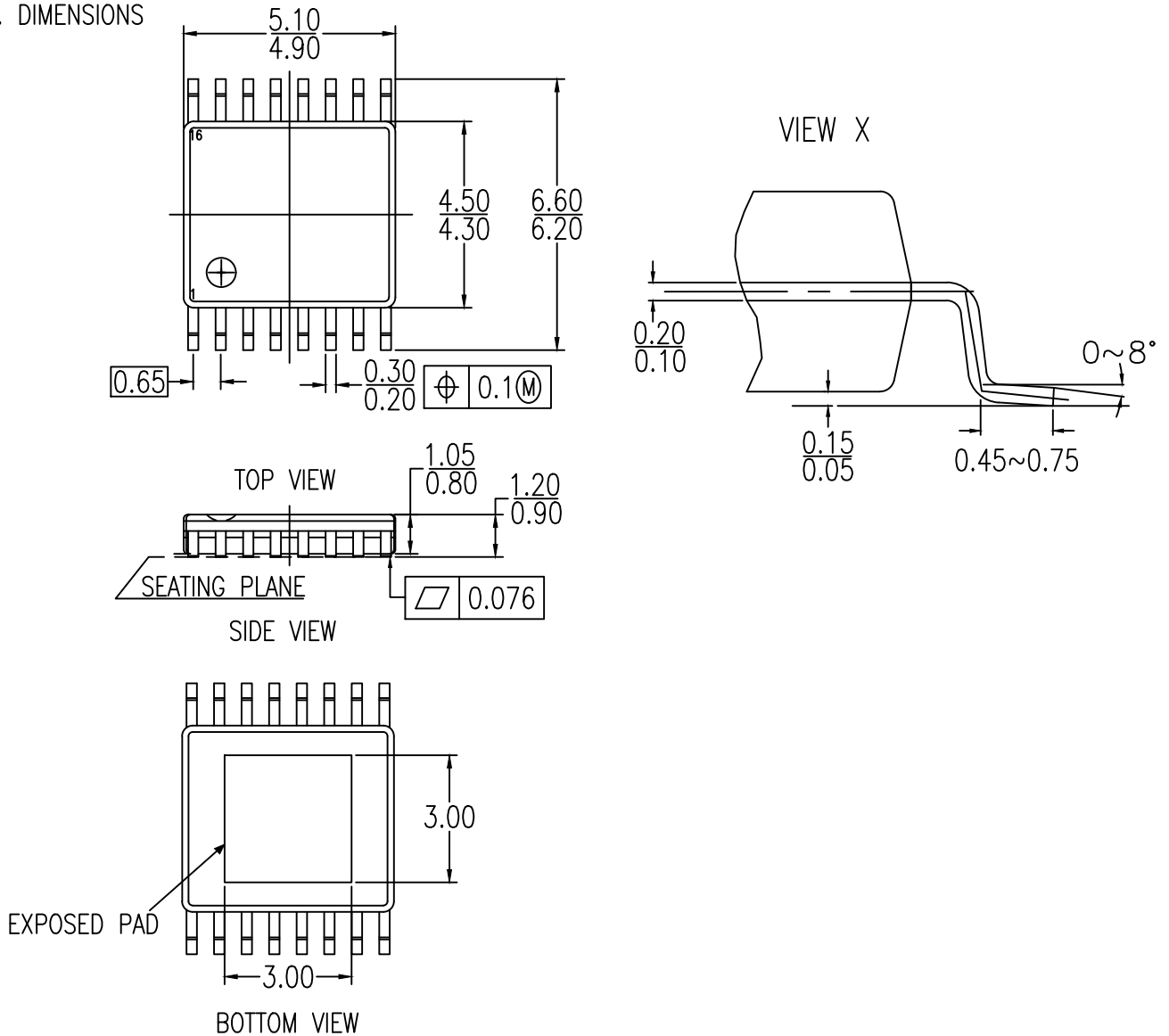


BASED ON JEDEC JEP95: MO-153

1. DIMENSIONS



- 2. WEIGHT $\leq 0.05 \text{ g}$
- 3. BODY MATERIAL LOW STRESS EPOXY
- 4. LEAD MATERIAL Cu-ALLOY
- 5. LEAD FINISH SOLDER PLATING
- 6. LEAD FORM Z-BENDS

* WITHOUT MOLD FLASH
DIMENSIONS IN MILLIMETERS

