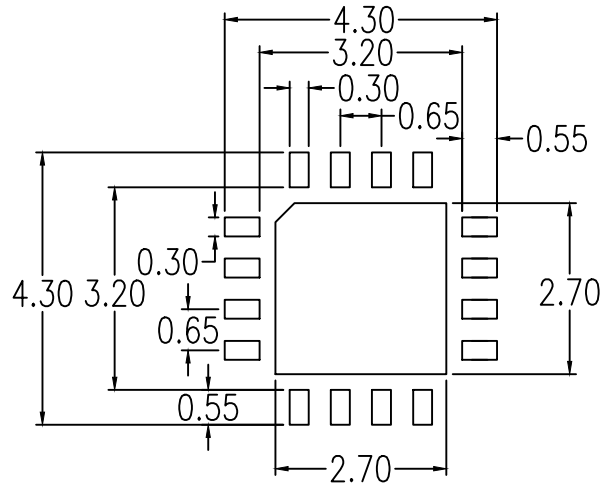


NOTES:

1. ALL DIMENSIONS IN MM.
2. THE DIMENSION AND TOLERANCING MEET ASME Y-14.5M-1994



P2/Z2 OPTION

RECOMMENDED LAND PATTERN DIMENSION

NOTES:

1. ALL DIMENSIONS IN MM. ANGLES IN DEGREES.
2. TOP DOWN VIEW, AS VIEW ON PCB.
3. LAND PATTERN RECOMMENDATION AS PER IPC-7351B.
GENERIC REQUIREMENT FOR SURFACE MOUNT DESIGN AND LAND PATTERN.

Package Revision History		
Date Created	Rev No.	Description
Sept 5, 2018	Rev 01	New Format, Change QFN to VFQFPN
May 20, 2016	Rev 00	Initial Release