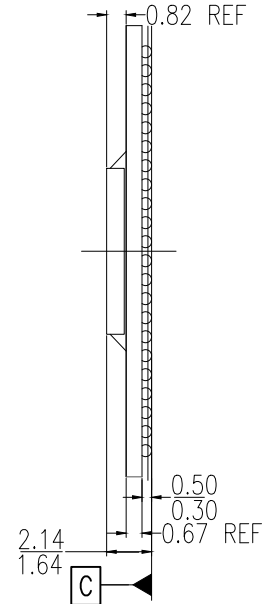
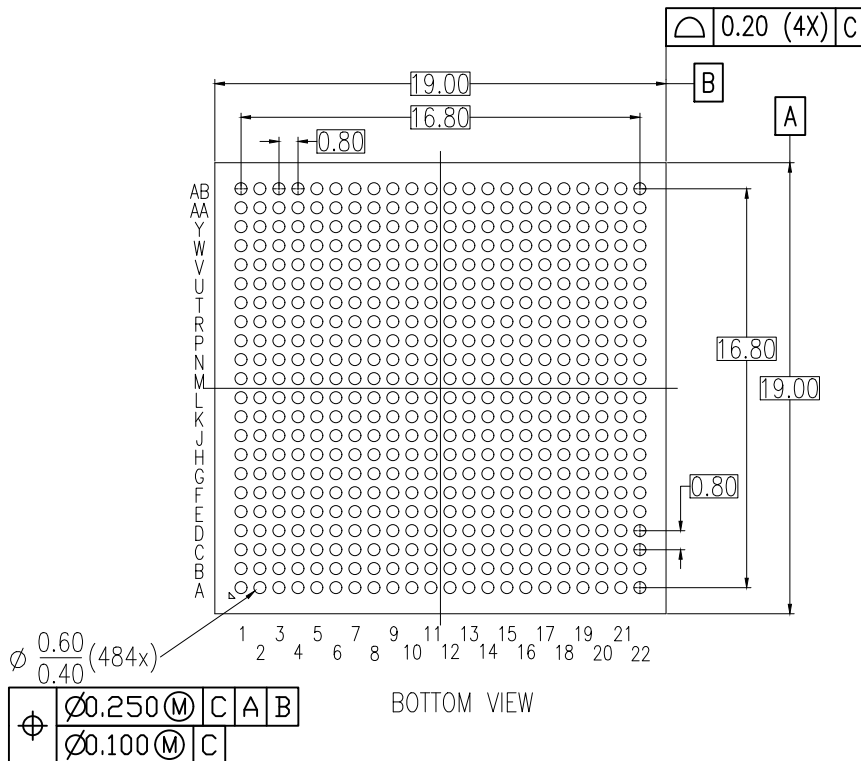


TOP VIEW



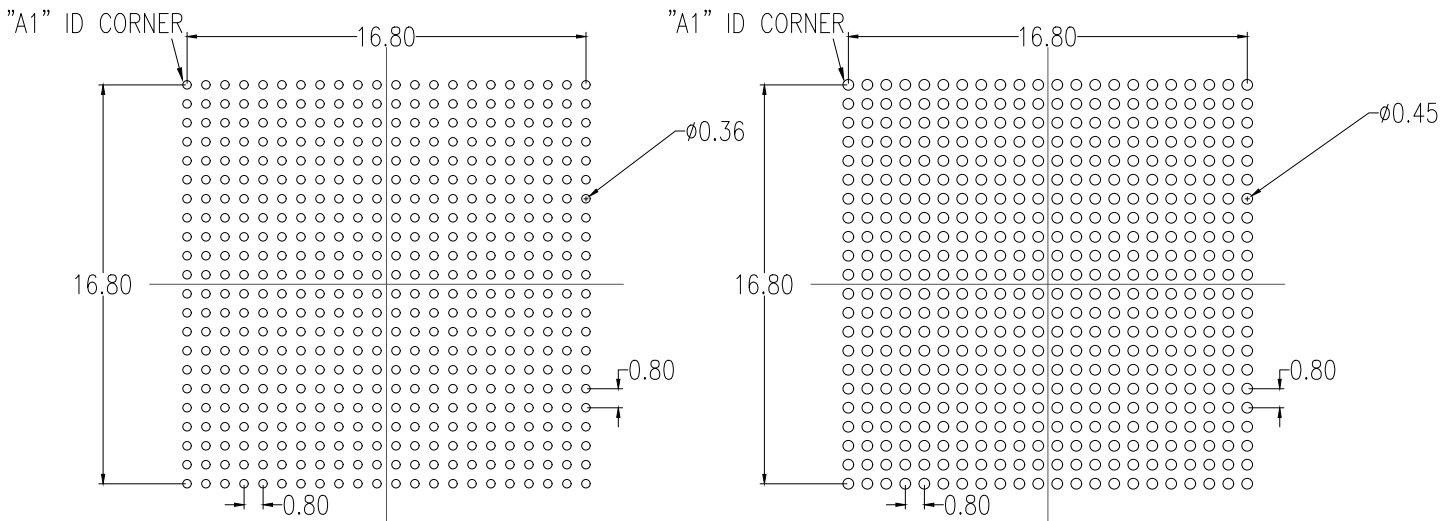
SIDE VIEW



BOTTOM VIEW

NOTES:

1. ALL DIMENSIONS AND TOLERANCES ARE PER ASME Y14.5-1994.
2. ALL DIMENSIONS ARE IN MILLIMETERS.



RECOMMENDED LAND PATTERN DIMENSION (NSMD)

RECOMMENDED LAND PATTERN DIMENSION (SMD)

NOTES:

1. ALL DIMENSIONS AND TOLERANCES ARE PER ASME Y14.5-1994.
2. ALL DIMENSIONS ARE IN MILLIMETERS.
3. LAND PATTERN RECOMMENDATION PER IPC-7315B GENERIC REQUIREMENT FOR SURFACE MOUNT DESIGN AND LAND PATTERN.

Package Revision History		
Date Created	Rev No.	Description
March 13, 2019	Rev 00	Initial Release
Jun 26, 2019	Rev 01	Add NSMD Land Pattern