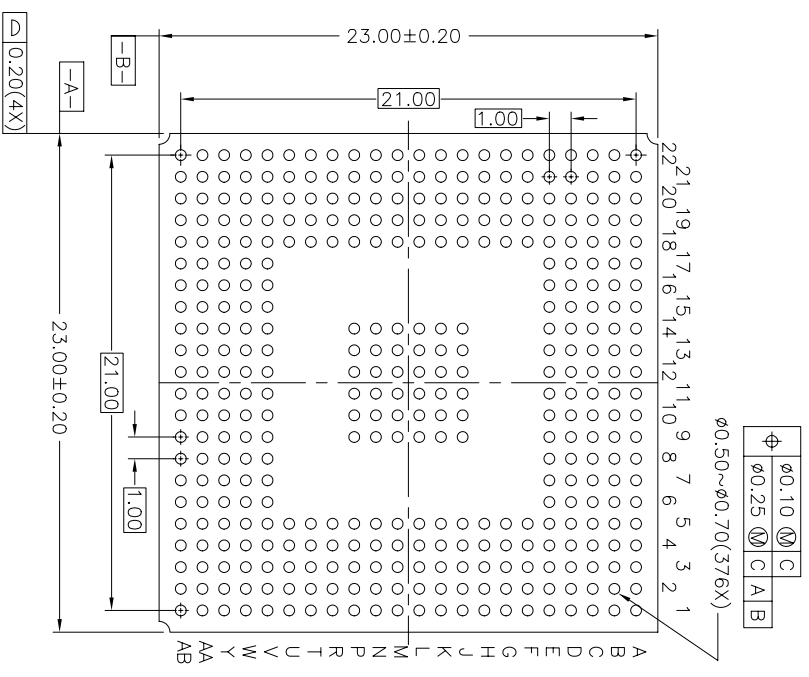
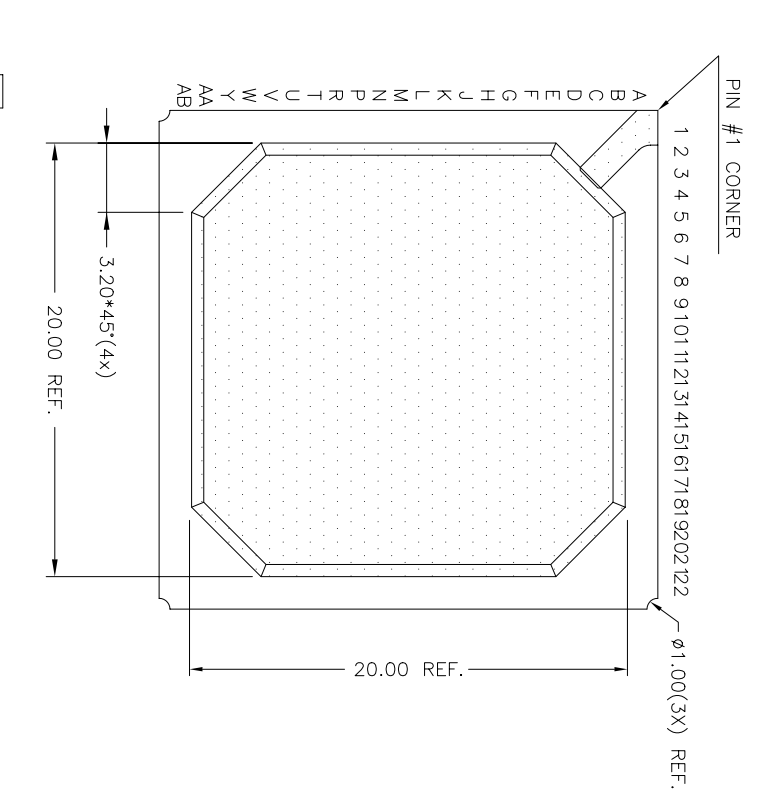
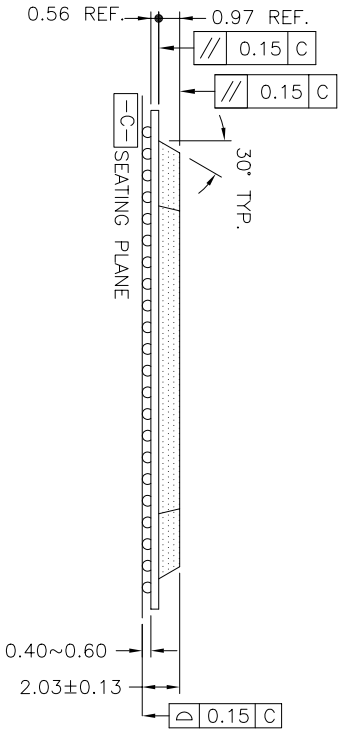


REVISIONS				
DCN	REV	DESCRIPTION	DATE	APPROVED
00		INITIAL RELEASE	07/08/09	P.PAIK



Ball Pitch :	1.0	Substrate Thickness :	0.56
Ball Diameter :	0.6	Mold Thickness :	0.97



TOLERANCES UNLESS SPECIFIED  
 DECIMAL ANGULAR ±1°  
 XX±.105  
 XXX±.030

**IDT™**  
 www.IDT.com

6024 SILVER CREEK VALLEY ROAD, SAN JOSE, CA 95138  
 PHONE: (408) 284-8200  
 FAX: (408) 284-3572

TITLE AM/AMG 376 PACKAGE OUTLINE  
 23 x 23 mm BODY  
 1.00 mm PITCH PBGA

APPROVALS	DATE	SIZE	DRAWING No.	REV
DRAMN <i>QAC</i>	7/7/09	C	PSC-4269	00
CHECKED				

DO NOT SCALE DRAWING

SHEET 1 OF 1