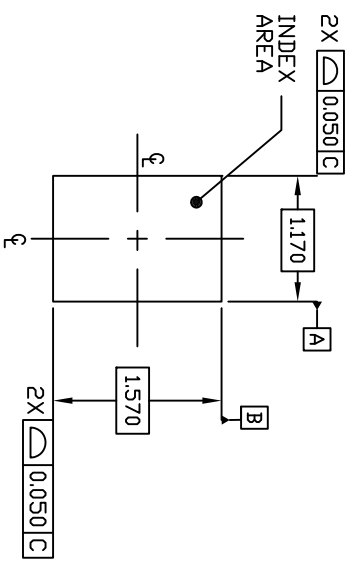


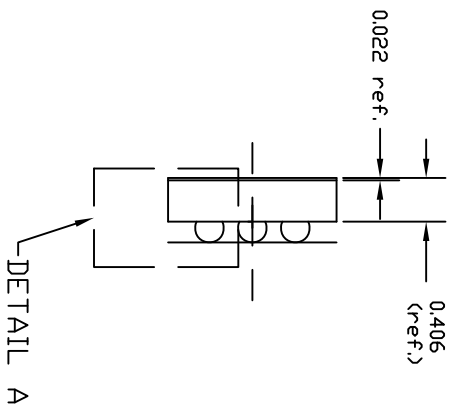
NOTES:

1. ALL DIMENSIONS AND TOLERANCES ARE PER ASME Y14.5M-1994.
 2. ALL DIMENSIONS ARE IN MILLIMETERS.
- ▲ SEATING PLANE AND PRIMARY DATUM -C- ARE DEFINED BY THE CONTACT POINTS OF THREE OR MORE SOLDER BALLS THAT SUPPORT THE DEVICE WHEN PLACED ON A TOP OF A PLANAR SURFACE.
- ▲ BOTTOM PIN#1 INDICATOR OPTIONAL.

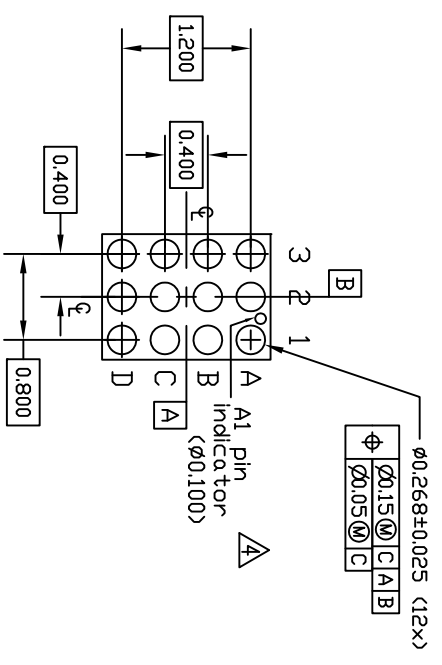
REVISIONS			
REV	DESCRIPTION	DATE	APPROVED
00	INITIAL RELEASE	05/29/14	JH
01	CORRECT PAGE 2 TITLE BLOCK	8/25/14	JH
02	CHANGE BUMP and BODY TOLERANCE	6/5/15	JH



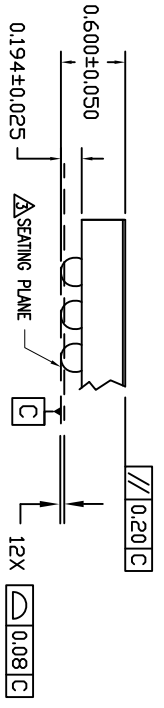
TOP VIEW



SIDE VIEW



BOTTOM VIEW

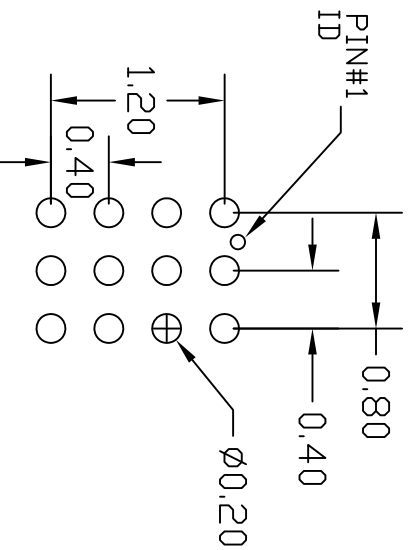


DETAIL A

<ROTATED 90 DEG CW>

TOLERANCES UNLESS SPECIFIED		6024 SILVER CREEK	
DECIMAL	ANGULAR	VALLEY ROAD, SAN JOSE, CA 95138	
XXX ± 0.05	±	PHONE: (408) 284-4200	
XXXX ± 0.012		FAX: (408) 284-3572	
XXXXX		WWW.IDT.COM	
APPROVALS	DATE	TITLE	
DRAWN BY	05/29/14	ANG12 PACKAGE OUTLINE	
CHECKED		1.170 x 1.570mm BODY	
		0.4mm PITCH DS98A	
SIZE	DRAWING No.	DO NOT SCALE DRAWING	REV
C	PSC-4483		02
			SHEET 1 OF 2


REVISIONS			
REV	DESCRIPTION	DATE	APPROVED
00	INITIAL RELEASE	05/29/14	JH
01	CORRECT PAGE 2 TITLE BLOCK	8/25/14	JH
02	CHANGE BUMP and BODY TOLERANCE	6/5/15	JH



RECOMMENDED LAND PATTERN DIMENSION

NOTE:

- 1) ALL dimensions are in mm, Angles in degrees.
- 2) Top down view, as view on PCB.
- 3) NSMD Land Pattern Assumed
- 4) Land Pattern Recommendation as per IPC-7351B generic requirement for surface mount design and Land Pattern.

TOLERANCES UNLESS SPECIFIED		6024 SILVER CREEK VALLEY ROAD, SAN JOSE, CA 95138 PHONE: (408) 294-8200 FAX: (408) 294-3572	
DECIMAL	ANGULAR	 www.idt.com	
XX.X 0.05	±		
APPROVALS	DATE	TITLE	SIZE
DRAWN 09*	05/29/14	AMG12 PACKAGE OUTLINE	C
CHECKED		1.170 x 1.570mm BODY 0.4mm PITCH DSBGA	DRAWING No. PSC-4483
XXXXE			REV 02
DO NOT SCALE DRAWING			SHEET 2 OF 2