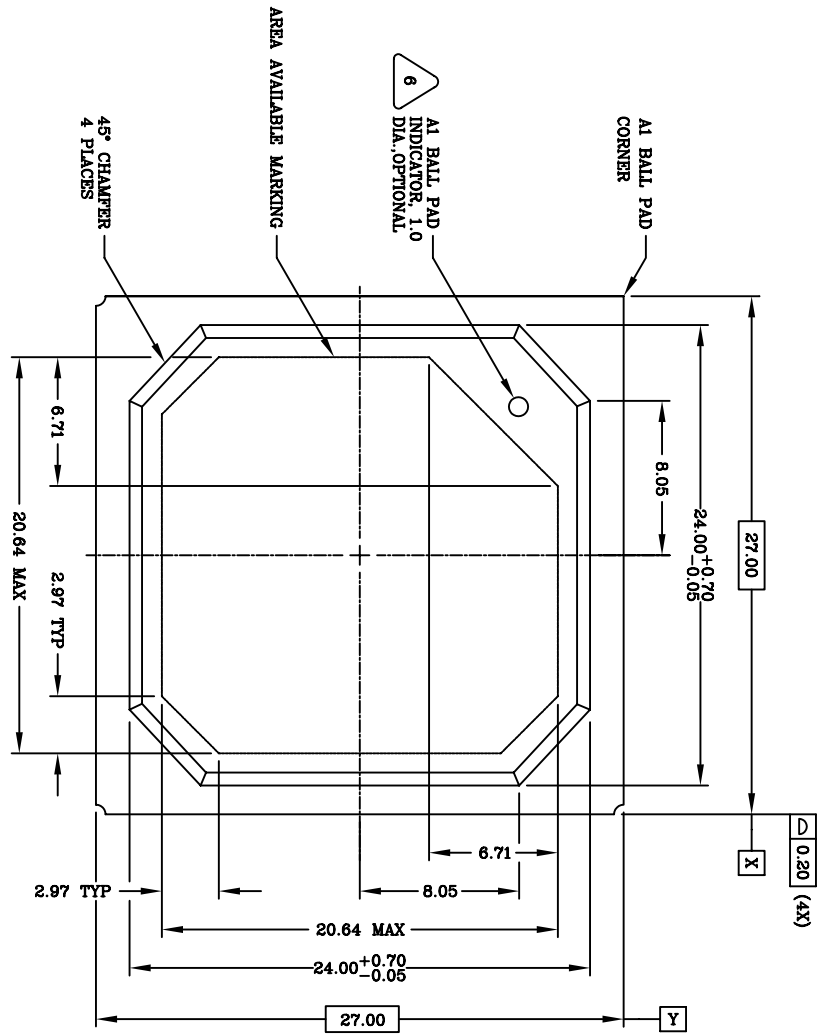
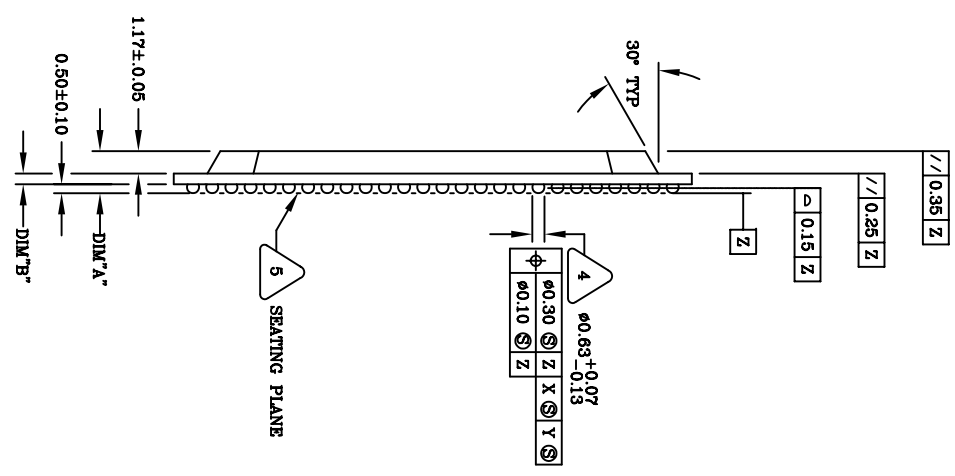


REVISIONS			
REV	DESCRIPTION	DATE	APPROVED
01	ADD "GREEN" BBG NOMENCLATURE	10/21/04	TU VU
02	COMBINE POD & LAND PATTERN	06/07/13	KS



TOP VIEW

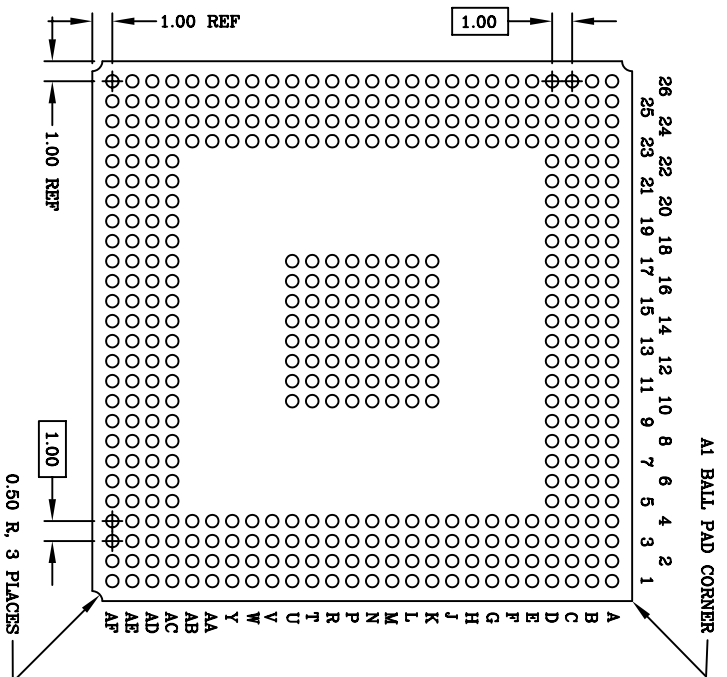
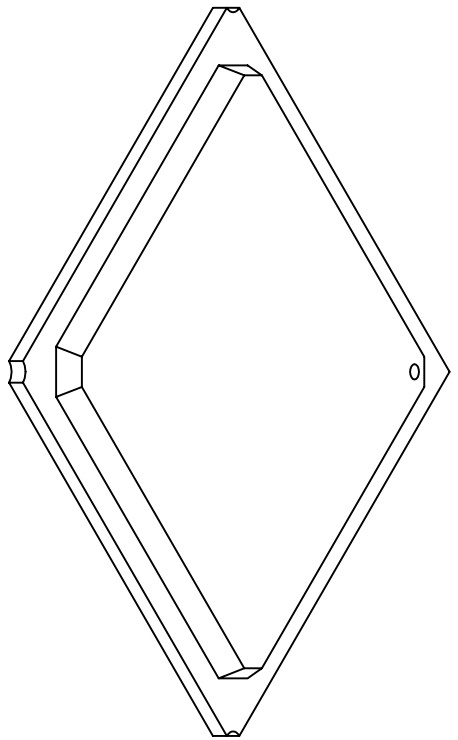
4 (36um Cu)	2.23±0.21	0.56±0.06
NO. LAYERS	DIM "A"	DIM "B"
PBGA THICKNESS SCHEDULE		



SIDE VIEW

TOLERANCES UNLESS SPECIFIED		IDT™ 6024 SILVER CREEK VALLEY ROAD	
DECIMAL	ANGULAR	SAN JOSE, CA 95138	PHONE: (408) 284-8200
XXX±	±	WWW.IDT.COM	FAK: (408) 284-8591
XXXX±			
XXXXX			
APPROVALS	DATE	TITLE	REV
DRWN DJC	08/06/01	BB/BBG 416 PACKAGE OUTLINE	02
CHECKED		27.0 X 27.0 mm BODY	
		PBGA 1.0 mm BALL PITCH	
SIZE	DRAWING NO.	PSC-4106	REV
C			02
DO NOT SCALE DRAWING		SHEET 1 OF 3	

REVISIONS			
REV	DESCRIPTION	DATE	APPROVED
01	ADD "GREEN" BBG NOMENCLATURE	10/21/04	TU VU
02	COMBINE POD & LAND PATTERN	06/07/13	KS

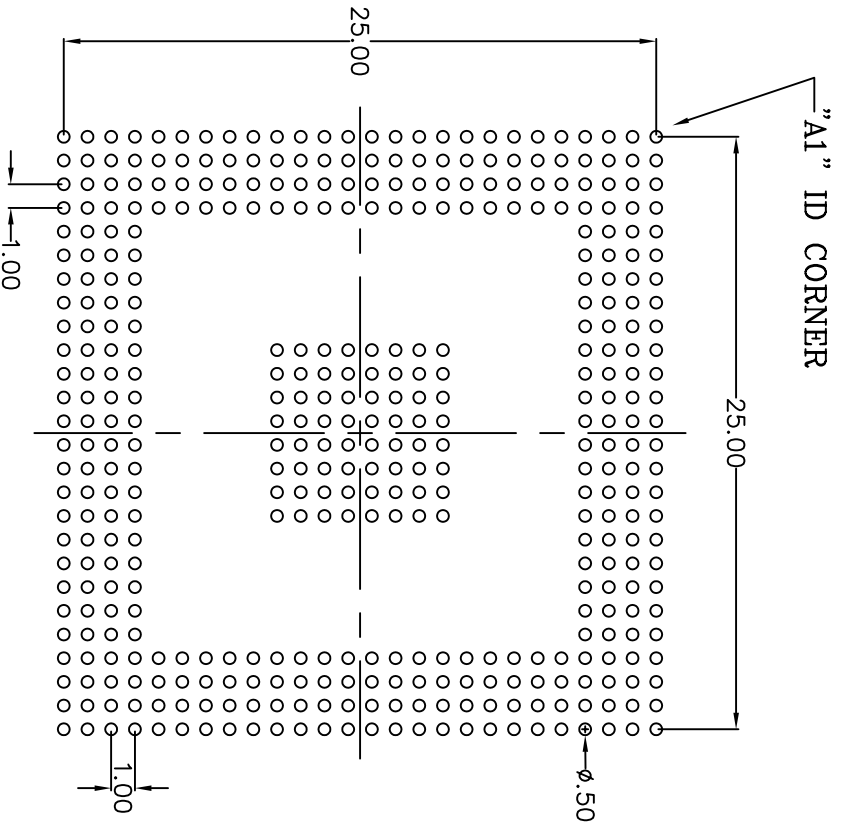


BOTTOM VIEW
(416 SOLDER BALLS)

- NOTES: UNLESS OTHERWISE SPECIFIED
1. ALL DIMENSIONS AND TOLERANCES CONFORM TO ASME Y14.5M-1994.
 2. THE BASIC SOLDER BALL GRID PITCH IS 1.00mm.
 3. THE MAXIMUM SOLDER BALL MATRIX SIZE IS 26 X 26. DIMENSION IS MEASURED AT THE MAXIMUM SOLDER BALL DIAMETER, PARALLEL TO PRIMARY DATUM Z.
 4. PRIMARY DATUM Z AND SEATING PLANE ARE DEFINED BY THE SPHERICAL CROWNS OF THE SOLDER BALLS.
 5. PRIMARY DATUM Z AND SEATING PLANE ARE DEFINED BY THE SPHERICAL CROWNS OF THE SOLDER BALLS.
 6. "A1" ID CORNER MUST BE IDENTIFIED. IDENTIFICATION MAY BE BY MEANS OF CHAMFER, METALLIZED OR INK MARK, INDENTATION OR OTHER FEATURE OF THE PACKAGE BODY. MARK MUST BE VISIBLE FROM TOP SURFACE.

TOLERANCES UNLESS SPECIFIED		SIDT ™ 6024 SILVER CREEK VALLEY ROAD SAN JOSE, CA 95138 PHONE: (408) 284-9200 WWW.IDT.COM FAX: (408) 284-8591	
DECIMAL	ANGULAR	DATE	TITLE
±	±	08/08/01	BB/BBG 416 PACKAGE OUTLINE
XXXX	XXXX	DRAWN	27.0 X 27.0 mm BODY
XXXX	XXXX	CHECKED	PBGA 1.00mm BALL PITCH
APPROVALS	DATE	SIZE	DRAWING NO.
		C	PSC-4106
DO NOT SCALE DRAWING		REV	02
		SHEET 2 OF 3	

REVISIONS			
REV	DESCRIPTION	DATE	APPROVED
01	ADD "GREEN" BKG NOMENCLATURE	10/21/04	TU VU
02	COMBINE POD & LAND PATTERN	06/07/13	KS



RECOMMENDED LAND PATTERN DIMENSION

NOTE:

- 1) ALL dimensions are in mm, Angles in degrees.
- 2) Top down view, as view on PCB.
- 3) NSMD Land Pattern Assumed
- 4) Land Pattern Recommendation as per IPC-7351B generic requirement for surface mount design and Land Pattern.

TOLERANCES UNLESS SPECIFIED		DATE	
DECIMAL	ANGULAR	09/06/01	
XXX±	±		
XXXX±			
APPROVALS		TITLE	
DRWN JSZ		BB/BBG 416 PACKAGE OUTLINE	
CHECKED		27.0 X 27.0 mm BODY	
		PBGA 1.00mm BALL PITCH	
		SIZE C	REV 02
		DRAWING No. PSC-4106	
		DO NOT SCALE DRAWING	SHEET 3 OF 3

IDT 6024 SILVER CREEK VALLEY ROAD
 SAN JOSE, CA 95138
 PHONE: (408) 294-8200
 WWW.IDT.COM FAX: (408) 294-8991