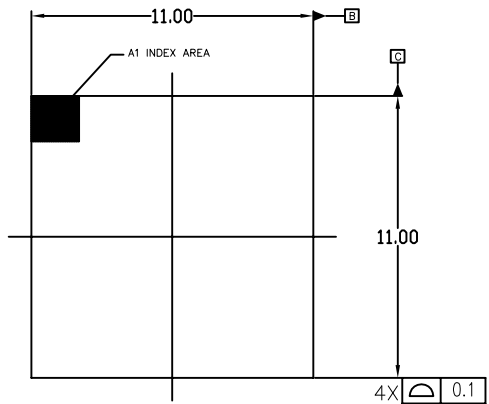
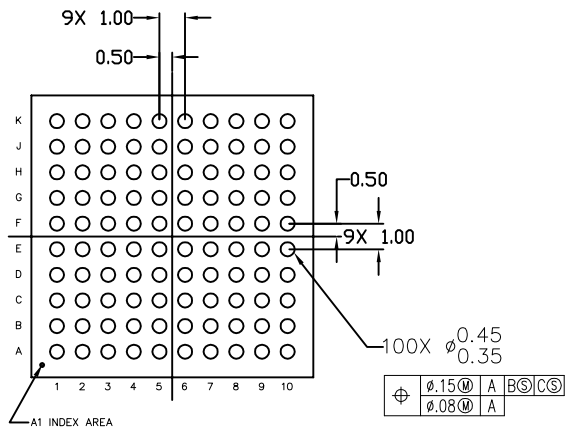


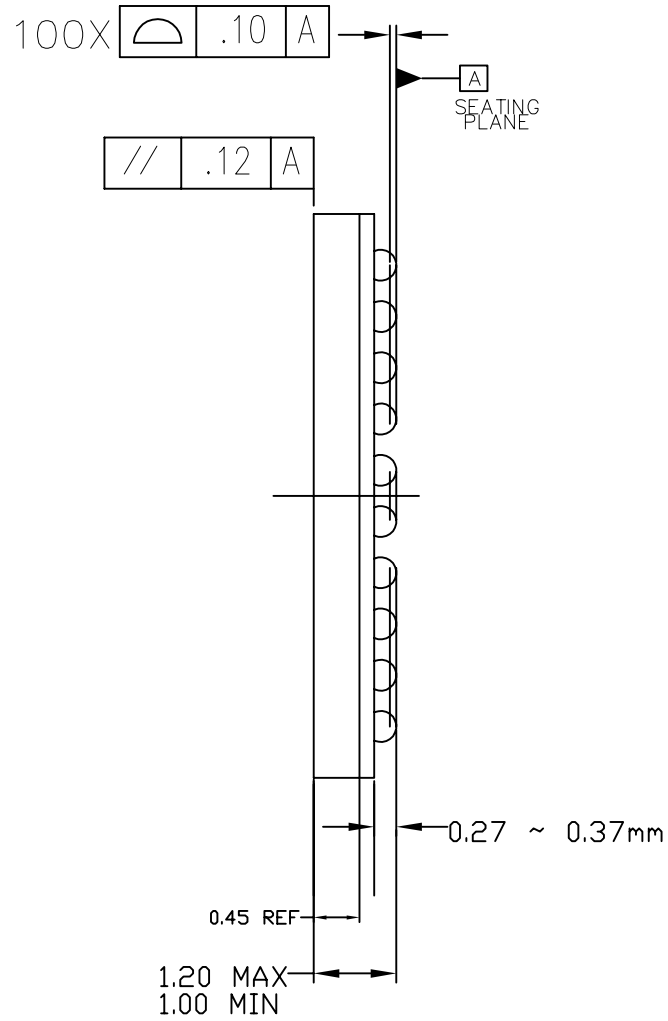
REVISIONS			
REV	DESCRIPTION	DATE	APPROVED
00	INITIAL RELEASE	11/25/14	CM




TOP VIEW



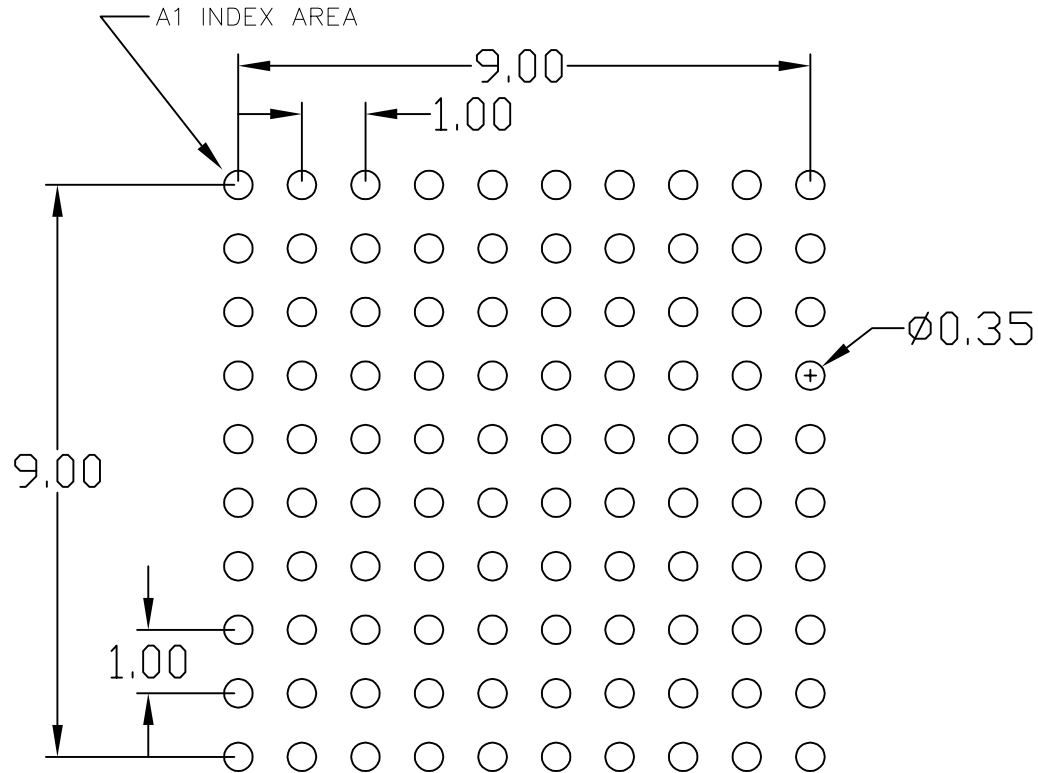
BOTTOM VIEW



SIDE VIEW

TOLERANCES UNLESS SPECIFIED		 <b>6024 Silver Creek Valley Road</b> San Jose, CA 95138 PHONE: (408) 284-8200 FAX: (408) 284-8591 <a href="http://www.IDT.com">www.IDT.com</a>	
DECIMAL	ANGULAR	TITLE BD/BDG100 PACKAGE OUTLINE 11.0 mm SQ BODY 1.0 mm PITCH CABGA	
XX±0.10	±	APPROVALS	DATE
XXX±0.050		DRAWN <i>CM</i>	11/25/14
XXXX±		CHECKED	
		SIZE	DRAWING No.
		C	PSC-4491
		REV	00
DO NOT SCALE DRAWING		SHEET 1 OF 2	


REVISIONS			
REV	DESCRIPTION	DATE	APPROVED
00	INITIAL RELEASE	11/25/14	CM



RECOMMENDED LAND PATTERN

NOTE:

- 1) ALL dimensions are in mm, Angles in degrees.
- 2) Top down view, as view on PCB.
- 3) NSMD Land Pattern Assumed
- 4) Land Pattern Recommendation as per IPC-7351B generic requirement for surface mount design and Land Pattern.

TOLERANCES UNLESS SPECIFIED		 <b>6024 Silver Creek Valley Road</b> San Jose, CA 95138 PHONE: (408) 284-8200 FAX: (408) 284-8591 <a href="http://www.IDT.com">www.IDT.com</a>	
DECIMAL	ANGULAR		
XX±	±	APPROVALS _____ DATE _____ DRAWN <i>CM</i> 11/25/14 CHECKED _____	
XXX±		TITLE BD/BDG100 PACKAGE OUTLINE 11.0 mm SQ BODY 1.0 mm PITCH CABGA	
XXXX±		SIZE	REV
		C	00
		DRAWING No.	
		PSC-4491	
		DO NOT SCALE DRAWING	SHEET 2 OF 2