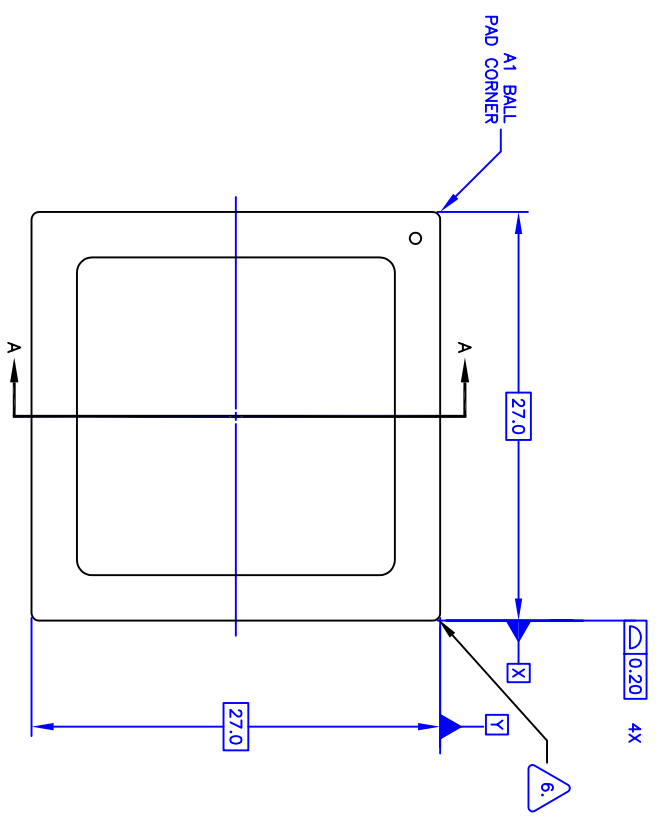
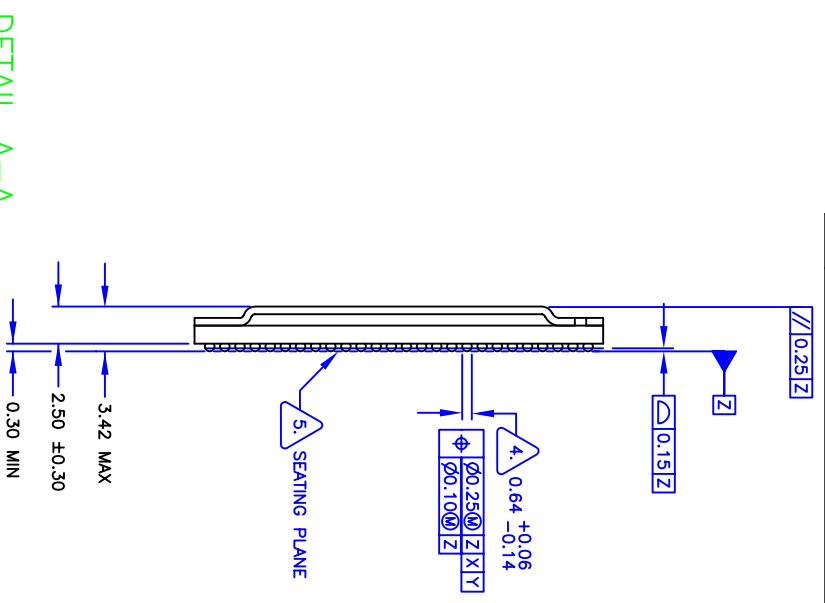


REVISIONS			
REV	DESCRIPTION	DATE	APPROVED
00	INITIAL RELEASE	02/27/06	P.PAIK
01	CHANGED PKG THICKNESS	04/17/08	P.PAIK
02	COMBINE PAD & LAND PATTERN	6/3/13	KS



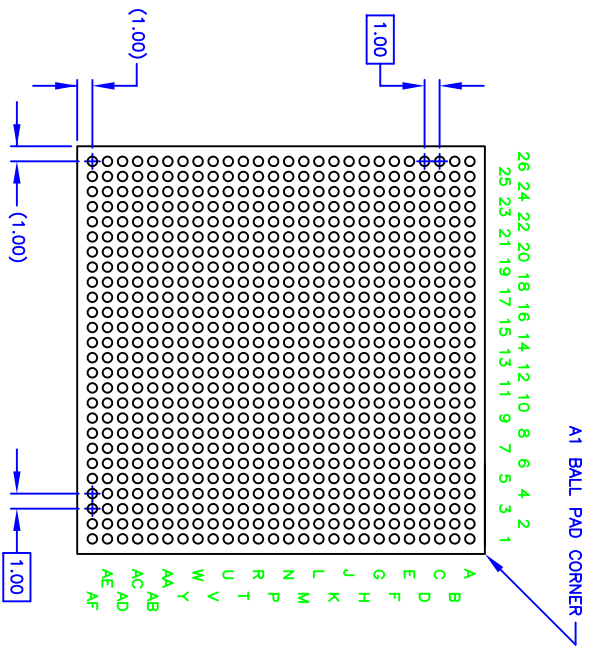
TOP VIEW



DETAIL A-A

TOLERANCES UNLESS SPECIFIED		6024 Silver Creek Valley Rd	
DECIMAL	ANGULAR	San Jose, CA 95138	
X.X	E ¹	PHONE: (408) 284-8200	
X.XX		FAX: (408) 284-3572	
XXXX	.030	WWW.IDT.COM	
APPROVALS	DATE	TITLE BL/BR/BLG 676 PACKAGE OUTLINE	
DRAWN P.PAIK	02/27/06	27 x 27 mm BODY	
CHECKED		1.0 mm PITCH FOBCA	
SIZE	DRAWING No.	DO NOT SCALE DRAWING	SHEET 1 OF 3
C	PSC-4182		
	REV		
	02		

REVISIONS			
REV	DESCRIPTION	DATE	APPROVED
00	INITIAL RELEASE	02/27/06	P.PAIK
01	CHANGED PKG THICKNESS	04/17/08	P.PAIK
02	COMBINE POD & LAND PATTERN	6/3/13	KS



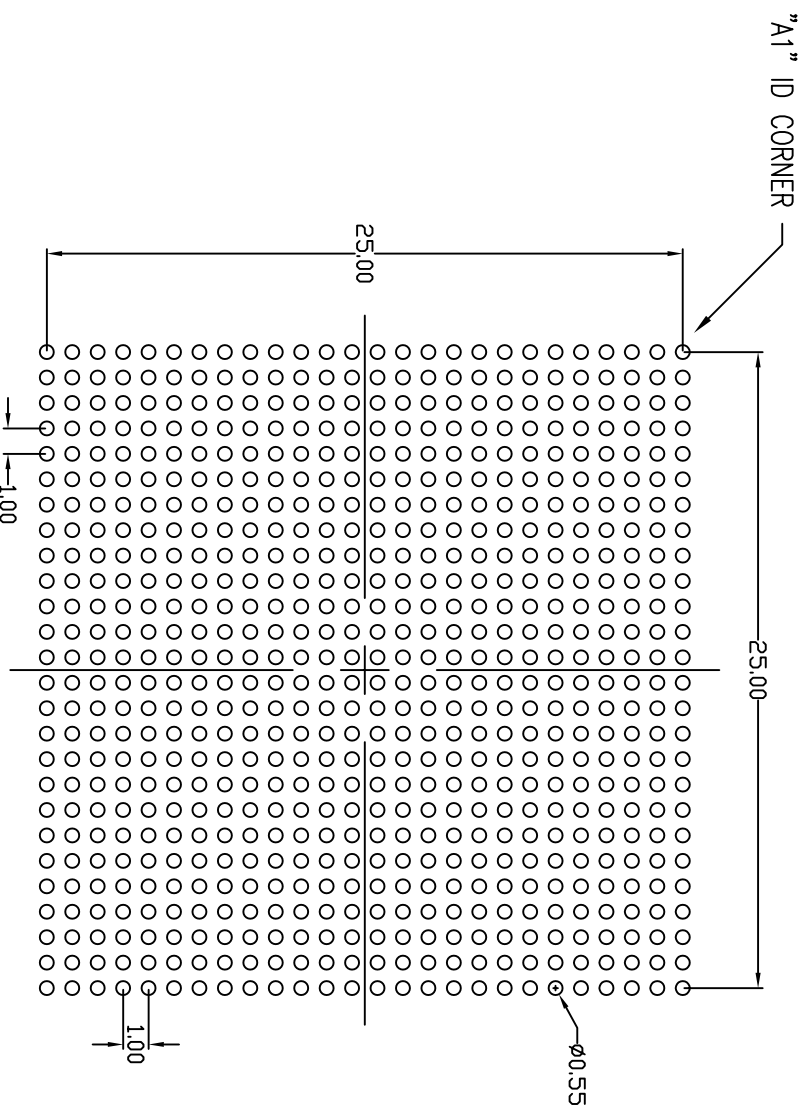
BOTTOM VIEW
(676 SOLDER BALLS)

NOTES: UNLESS OTHERWISE SPECIFIED

1. ALL DIMENSIONS AND TOLERANCES CONFORM TO ASME Y14.5M-1994.
2. THE MAXIMUM SOLDER BALL MATRIX SIZE IS 26 X 26.
3. THE MAXIMUM ALLOWABLE NUMBER OF SOLDER BALLS IS 676.
4. DIMENSION IS MEASURED AT THE MAXIMUM SOLDER BALL DIAMETER, PARALLEL TO PRIMARY DATUM Z.
5. PRIMARY DATUM Z AND SEATING PLANE ARE DEFINED BY THE SPHERICAL CROWNS OF THE SOLDER BALLS.
6. EXACT SHAPE OF EACH CORNER IS OPTIONAL.


TOLERANCES UNLESS SPECIFIED		6024 Silver Creek Valley Rd San Jose, CA 95138	
DECIMAL	ANGULAR	PHONE: (408) 284-8200	
X± .105	E±1	FAX: (408) 284-3572	
XX± .030		WWW.IDT.COM	
APPROVALS	DATE	TITLE	
DRAWN	02/27/06	BI/BR/BLG 676 PACKAGE OUTLINE	
CHECKED		27 x 27 mm BODY	
		1.0 mm PITCH FCBGA	
SIZE	DRAWING No.	REV	
C	PSC-4182	02	
DO NOT SCALE DRAWING		SHEET 2 OF 3	

REVISIONS			
REV	DESCRIPTION	DATE	APPROVED
00	INITIAL RELEASE	02/27/06	P.PAIK
01	CHANGED PKG THICKNESS	04/17/08	P.PAIK
02	COMBINE POD & LAND PATTERN	6/3/13	KS



RECOMMENDED LAND PATTERN DIMENSIONS (mm)

- NOTE:
- 1) ALL dimensions are in mm, Angles in degrees.
 - 2) Top down view, as view on PCB.
 - 3) NSMD Land Pattern Assumed
 - 4) Land Pattern Recommendation as per IPC-7351B generic requirement for surface mount design and Land Pattern.

TOLERANCES UNLESS SPECIFIED		 6024 Silver Creek Valley Rd San Jose, CA 95138 PHONE: (408) 284-8200 FAX: (408) 284-3572 www.IDT.com	
DECIMAL	ANGULAR	±	
XXX±			
XXXX±			
APPROVALS	DATE	TITLE	
DRAWN P.PAIK	07/07/08	BL/BR/BLG 676 PACKAGE OUTLINE	
CHECKED		27.0 x 27.0 mm BODY	
		1.0 mm PITCH FCBCGA	
		SIZE	REV
		C	02
DRAWING No.		PSC-4182	
DO NOT SCALE DRAWING		SHEET 3 OF 3	