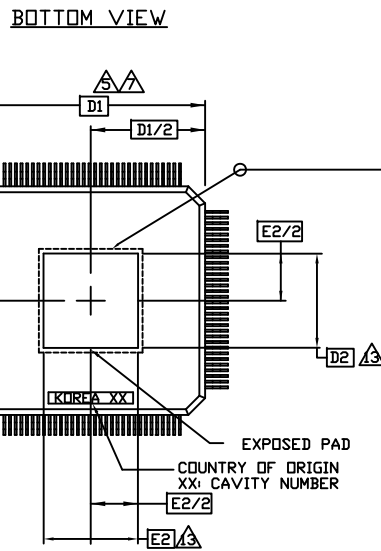
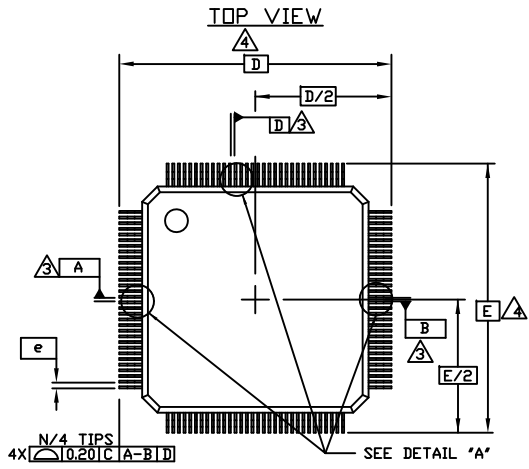
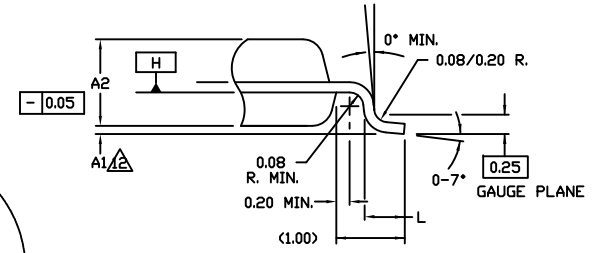
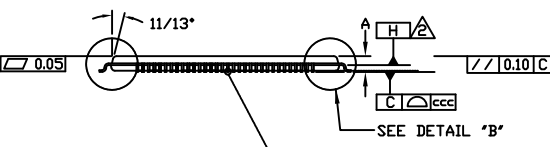
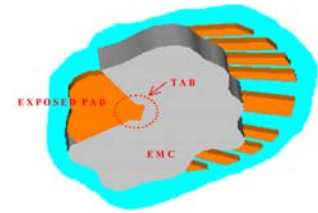


DATE CREATED	REVISIONS		
	REV	DESCRIPTION	AUTHOR
3/30/17	00	INITIAL RELEASE	JH
NOTE: REFER TO DCP FOR OFFICIAL RELEASE DATE			

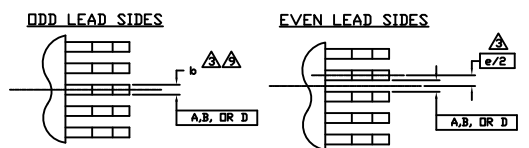


0.20 TAB

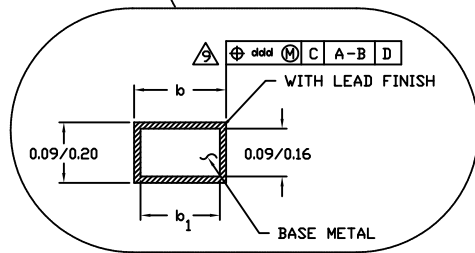
- TAB : EXPOSED PART OF CONNECTION BAR OR TIE BAR
- EXPOSED PAD SIZE IS AFFECTED BY MOLD FLASH AND MOLD FLASH IS CONTROLLED BY FVI(FANAL VISUAL INSPECTION) SPEC




DETAIL "B"  
SCALE : NONE



DETAIL "A"  
SCALE : NONE



TOLERANCES UNLESS SPECIFIED DECIMAL ANGULAR X± .1 ±1° XX± .05 XXX± .030		6024 Silver Creek Valley Road San Jose, CA 95138 PHONE: (408) 284-800 FAX: (408) 284-8591	
		www.IDT.com	
TITLE: EDG64P2 PACKAGE OUTLINE 10 x 10 mm BODY, 1.00/0.10 MM FORM 1.00 MM THICK, EPAD 5.0 mm SQ.			
SIZE C	DRAWING No. PSC-4165-02	REV 00	
DO NOT SCALE DRAWING			SHEET 1 OF 3

DATE CREATED	REVISIONS		
	REV	DESCRIPTION	AUTHOR
3/30/17	00	INITIAL RELEASE	JH
NOTE: REFER TO DCP FOR OFFICIAL RELEASE DATE			

## NOTES:

- ALL DIMENSIONING AND TOLERANCING CONFORM TO ANSI Y14.5-1982.
- DATUM PLANE **[H]** LOCATED AT MOLD PARTING LINE AND COINCIDENT WITH LEAD, WHERE LEAD EXITS PLASTIC BODY AT BOTTOM OF PARTING LINE.
- DATUMS **[A-B]** AND **[D]** TO BE DETERMINED AT CENTERLINE BETWEEN LEADS WHERE LEADS EXIT PLASTIC BODY AT DATUM PLANE **[H]**.
- TO BE DETERMINED AT SEATING PLANE **[C]**.
- DIMENSIONS D1 AND E1 DO NOT INCLUDE MOLD PROTRUSION. ALLOWABLE MOLD PROTRUSION IS 0.254 MM ON D1 AND E1 DIMENSIONS.
- "N" IS THE TOTAL NUMBER OF TERMINALS.
- THESE DIMENSIONS TO BE DETERMINED AT DATUM PLANE **[H]**.
- PACKAGE TOP DIMENSIONS ARE SMALLER THAN BOTTOM DIMENSIONS AND TOP OF PACKAGE WILL NOT OVERHANG BOTTOM OF PACKAGE.
- DIMENSION **b** DOES NOT INCLUDE DAMBAR PROTRUSION. ALLOWABLE DAMBAR PROTRUSION SHALL BE 0.08mm TOTAL IN EXCESS OF THE **b** DIMENSION AT MAXIMUM MATERIAL CONDITION. DAMBAR CANNOT BE LOCATED ON THE LOWER RADIUS OR THE FOOT.
- CONTROLLING DIMENSION: MILLIMETER.
- THIS OUTLINE CONFORMS TO JEDEC PUBLICATION 95 REGISTRATION MS-026, VARIATIONS ACB, ACC, ACD & ACE.
- A1 IS DEFINED AS THE DISTANCE FROM THE SEATING PLANE TO THE LOWEST POINT OF THE PACKAGE BODY.
- DIMENSION D2 AND E2 REPRESENT THE SIZE OF THE EXPOSED PAD. THE ACTUAL DIMENSIONS ARE SPECIFIED ON THE BONDING DIAGRAM, AND IS DEPENDENT ON THE DIE SIZE.
- EXPOSED PAD SHALL BE COPLANAR WITH BOTTOM OF PACKAGE.

SYMBOL	JEDEC VARIATION ALL DIMENSIONS IN MILLIMETERS			NOTE
	ACD			
	MIN.	NDR.	MAX.	
A	<i>~</i>	<i>~</i>	1.20	
A1	0.05	<i>~</i>	0.15	12
A2	0.95	1.00	1.05	
E2	4.90	5.00	5.10	
D2	4.90	5.00	5.10	
D	12.00 BSC.			4
D1	10.00 BSC.			7,8
E	12.00 BSC.			4
E1	10.00 BSC.			7,8
L	0.45	0.60	0.75	
N	64			
e	0.50 BSC.			
b	0.17	0.22	0.27	9
b1	0.17	0.20	0.23	
ccc	<i>~</i>	<i>~</i>	0.08	
ddd	<i>~</i>	<i>~</i>	0.08	

TOLERANCES  
UNLESS SPECIFIED  
DECIMAL ANGULAR  
X± .1 ±1°  
XX± .05  
XXX± .030



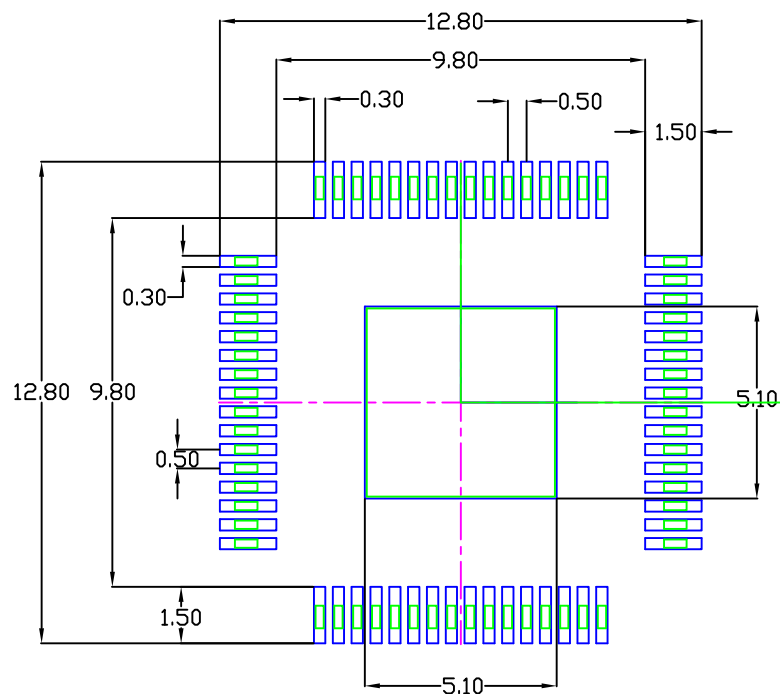
6024 Silver Creek Valley Road  
San Jose, CA 95138  
PHONE: (408) 284-800  
FAX: (408) 284-8591

TITLE: EDG64P2 PACKAGE OUTLINE  
10 x 10 mm BODY, 1.00/0.10 MM FORM  
1.00 MM THICK, EP 5.0 mm SQ.

SIZE <b>C</b>	DRAWING No. PSC-4165-02	REV 00
------------------	----------------------------	-----------

DO NOT SCALE DRAWING SHEET 2 OF 3

DATE CREATED	REVISIONS		
	REV	DESCRIPTION	AUTHOR
3/30/17	00	INITIAL RELEASE	JH
NOTE; REFER TO DCP FOR OFFICIAL RELEASE DATE			



EPAD 5.0 mm SQ

RECOMMENDED LAND PATTERN DIMENSION

NOTES:

1. ALL DIMENSION ARE IN mm. ANGLES IN DEGREES.
2. TOP DOWN VIEW. AS VIEWED ON PCB.
3. COMPONENT OUTLINE SHOW FOR REFERENCE IN GREEN.
4. LAND PATTERN IN BLUE. NSMD PATTERN ASSUMED.
5. LAND PATTERN RECOMMENDATION PER IPC-7351B GENERIC REQUIREMENT FOR SURFACE MOUNT DESIGN AND LAND PATTERN.

TOLERANCES  
UNLESS SPECIFIED  
DECIMAL ANGULAR  
X± .1 ±1°  
XX± .05  
XXX± .030



6024 Silver Creek Valley Road  
San Jose, CA 95138  
PHONE: (408) 284-800  
FAX: (408) 284-8591  
www.IDT.com

TITLE: EDG64P2 PACKAGE OUTLINE  
10 x 10 mm BODY, 1.00/0.10 MM FORM  
1.00 MM THICK, EP 5.0 mm SQ.

SIZE C	DRAWING No. PSC-4165-02	REV 00
-----------	----------------------------	-----------

DO NOT SCALE DRAWING SHEET 3 OF 3