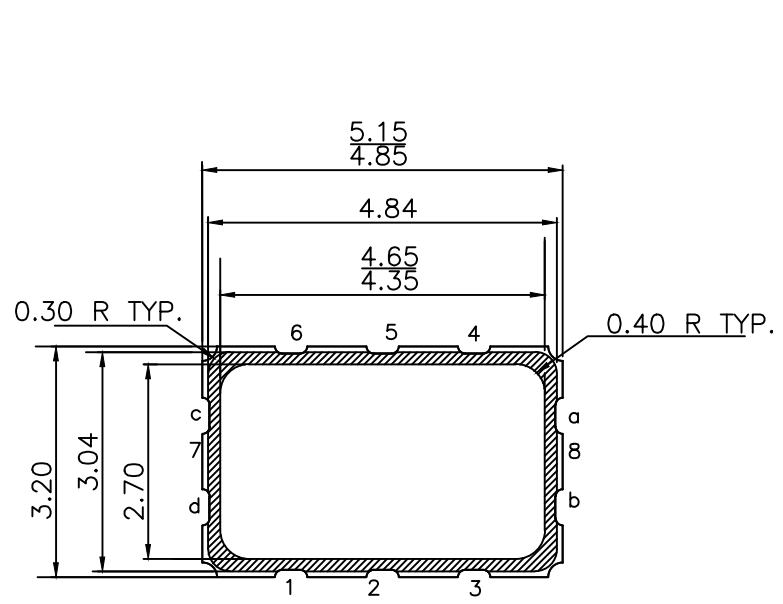
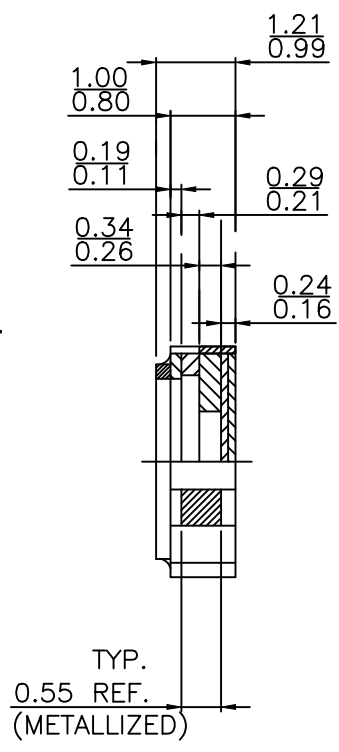


| DATE CREATED | REVISIONS | | |
|--------------|-----------|-----------------|--------|
| | REV | DESCRIPTION | AUTHOR |
| 3/6/18 | 00 | INITIAL RELEASE | JH |

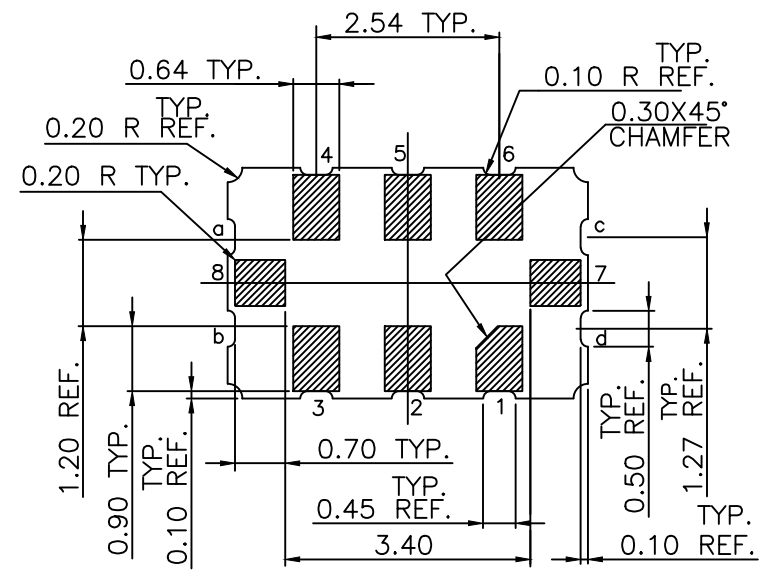
NOTE: REFER TO DCP FOR OFFICIAL RELEASE DATE



TOP VIEW




SIDE VIEW



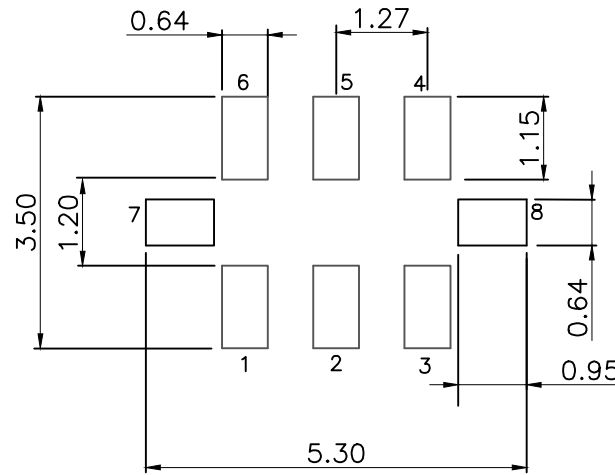
BOTTOM VIEW

NOTES:

1. ALL DIMENSIONS IN MM.

| | | | | |
|---|-------------|---|-----------------------------|--------------|
| TOLERANCES UNLESS SPECIFIED | |  | 6024 Silver Creek Valley Rd | |
| DECIMAL | ANGULAR | | San Jose, CA 95138 | |
| XX± | ± | PHONE: (408) 727-6116 | | |
| XXX± | | FAX: (408) 492-8674 | | |
| XXXX± | | www.IDT.com | | |
| TITLE JX8 Package Outline Drawing 5.0 x 3.2 x 1.1 mm Body 1.27mm Pitch CLCC | | | | |
| SIZE | DRAWING No. | | REV | |
| C | PSC-4754 | | 00 | |
| DO NOT SCALE DRAWING | | | | SHEET 1 OF 2 |


| DATE CREATED | REVISIONS | | |
|--|-----------|-----------------|--------|
| | REV | DESCRIPTION | AUTHOR |
| 3/6/18 | 00 | INITIAL RELEASE | JH |
| NOTE: REFER TO DCP FOR OFFICIAL RELEASE DATE | | | |



RECOMMENDED LAND PATTERN DIMENSION

NOTES:

1. ALL DIMENSION ARE IN MM. ANGLES IN DEGREES.
2. LAND PATTERN RECOMMENDATION PER IPC-7351B GENERIC REQUIREMENT FOR SURFACE MOUNT DESIGN AND LAND PATTERN.

| | | |
|-----------------------------|-------------|---|
| TOLERANCES UNLESS SPECIFIED | |  IDT™ 6024 Silver Creek Valley Rd San Jose, CA 95138 PHONE: (408) 727-6116 FAX: (408) 492-8674 www.IDT.com |
| DECIMAL | ANGULAR | |
| XX± | ± | |
| XXX± | | |
| XXXX± | | |
| TITLE | | JX8 Package Outline Drawing 5.0 x 3.2 x 1.1 mm Body 1.27mm Pitch CLCC |
| SIZE | DRAWING No. | REV |
| C | PSC-4754 | 00 |
| DO NOT SCALE DRAWING | | SHEET 2 OF 2 |