

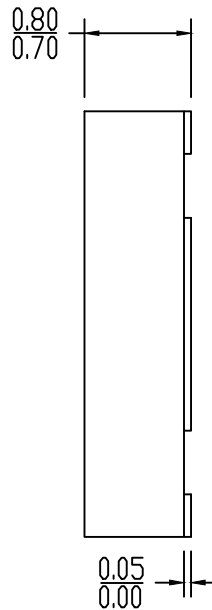
TOP VIEW

// 0.05 C

10X

0.05 C

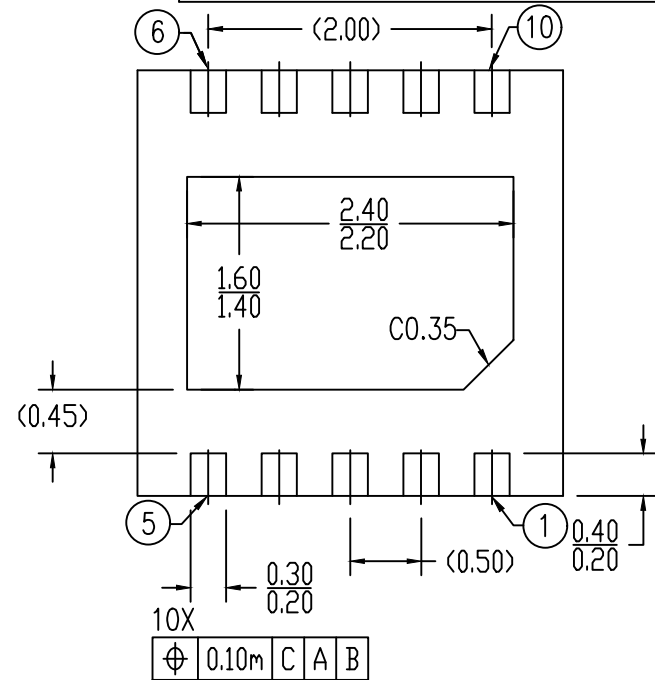
C



SIDE VIEW

DATE CREATED	REV	REVISIONS	
		DESCRIPTION	AUTHOR
10/4/10	00	INITIAL RELEASE	R.TORCUATO
8/30/16	01	Remove detail "A" and Add land Pattern	J.Hua
8/30/18	02	UPDATE TO NEW FORMAT	RC

NOTE: REFER TO DCP FOR OFFICIAL RELEASE DATE



BOTTOM VIEW

NOTE :

1. ALL DIMENSION ARE IN MM. ANGLES IN DEGREES.
2. COPLANARITY APPLIES TO THE EXPOSED PAD AS WELL AS THE TERMINALS. COPLANARITY SHALL NOT EXCEED 0.05 mm.
3. WARPAGE SHALL NOT EXCEED 0.05 mm.
4. REFER JEDEC MO-229

TOLERANCES  
UNLESS SPECIFIED  
DECIMAL ANGULAR  
X±.1 ±1°  
XX±.05  
XXX± .030



6024 SILVER CREEK  
VALLEY ROAD. SAN JOSE,  
CA 95138  
PHONE: (408) 284-8200  
FAX: (408) 284-3572

TITLE NBG10 Package Outline Drawing  
3.0 x 3.0 x 0.75 mm Body  
Epad 2.3 x 1.5 mm  
0.50mm Pitch, DFN

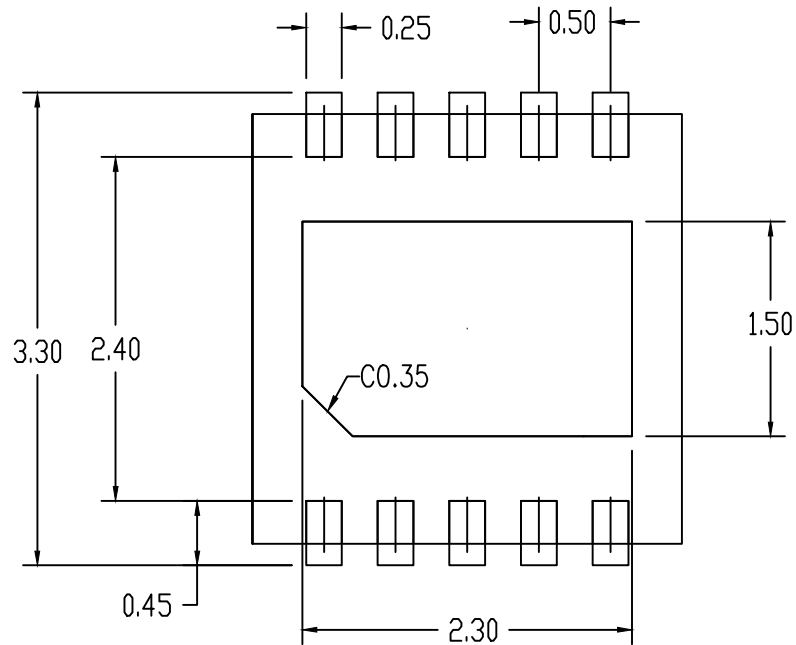
SIZE	DRAWING No.	REV
C	PSC-4322	02

DO NOT SCALE DRAWING

SHEET 1 OF 2

DATE CREATED	REVISIONS		
	REV	DESCRIPTION	AUTHOR
10/4/10	00	INITIAL RELEASE	R.TORCUATO
8/30/16	01	Remove detail "A" and Add land Pattern	J.Hua
8/30/18	02	UPDATE TO NEW FORMAT	RC


NOTE: REFER TO DCP FOR OFFICIAL RELEASE DATE



RECOMMENDED LAND PATTERN DIMENSION

NOTES:

1. ALL DIMENSIONS ARE IN MM. ANGLES IN DEGREES.
2. TOP DOWN VIEW, AS VIEWED ON PCB.
3. LAND PATTERN RECOMMENDATION PER IPC-7351B GENERIC REQUIREMENT FOR SURFACE MOUNT DESIGN AND LAND PATTERN.

TOLERANCES UNLESS SPECIFIED DECIMAL    ANGULAR X±.1        ±1° XX±.05 XXX± .030			6024 SILVER CREEK VALLEY ROAD, SAN JOSE, CA 95138 PHONE: (408) 284-8200 FAX: (408) 284-3572
	www.IDT.com		
TITLE    NBC10 Package Outline Drawing 3.0 x 3.0 x 0.75 mm Body Epad 2.3 x 1.5 mm 0.50mm Pitch, DFN			
SIZE	DRAWING No.	REV	
C	PSC-4322	02	
DO NOT SCALE DRAWING			SHEET 2 OF 2