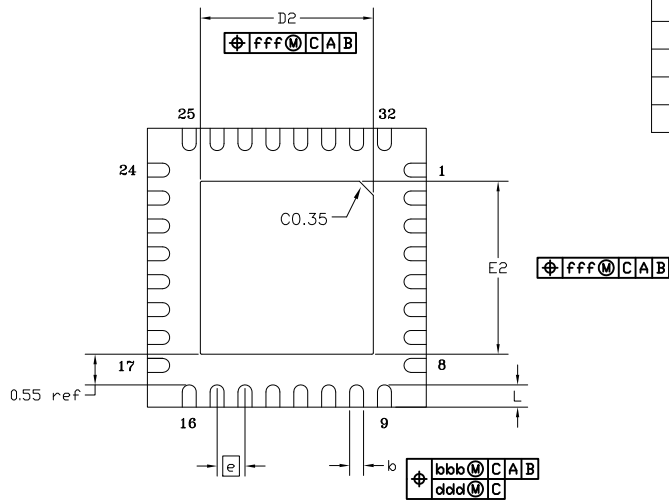
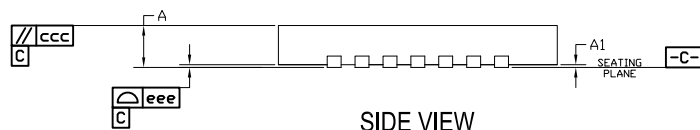


TOP VIEW



BOTTOM VIEW



SIDE VIEW

EPAD OPTION

SYMBOL	P1			P2			P3		
	MIN	NOM	MAX	MIN	NOM	MAX	MIN	NOM	MAX
E2	3.00	3.10	3.20	3.10	3.30	3.40	3.60	3.70	3.80
D2	3.00	3.10	3.20	3.10	3.30	3.40	3.60	3.70	3.80

NOTES:

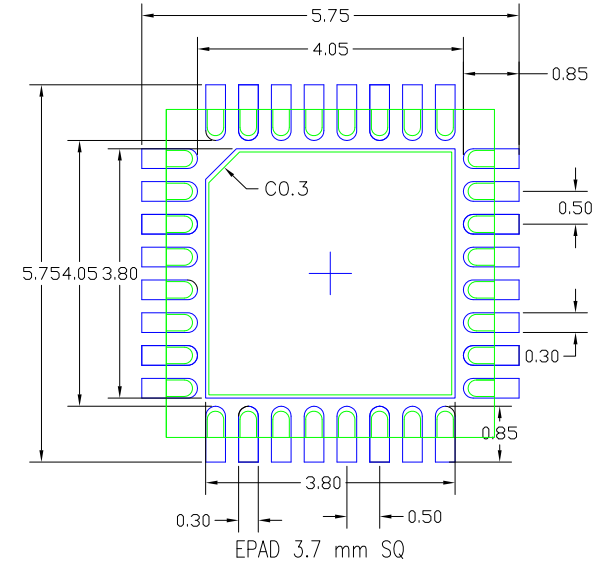
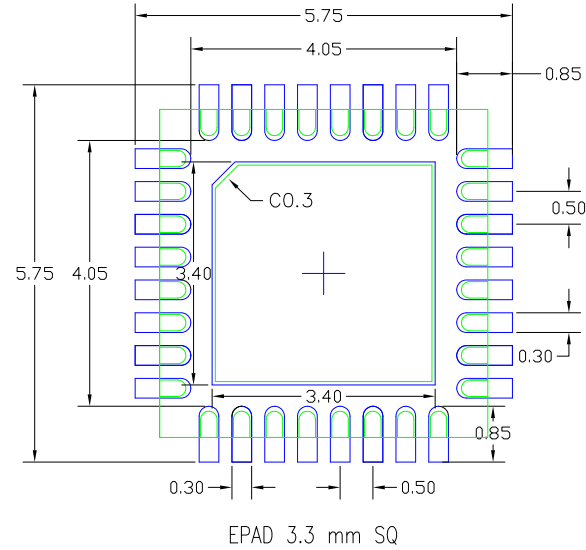
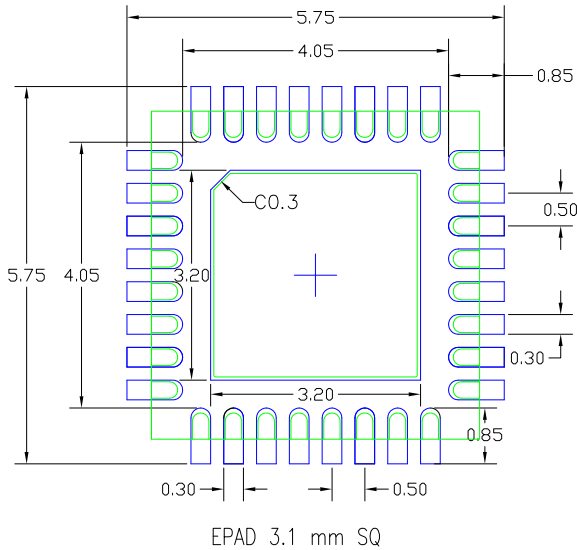
1. ALL DIMENSIONING AND TOLERANCING CONFORM TO ANSI Y14.5M-1982
2. ALL DIMENSIONS ARE IN MILLIMETERS.

REVISIONS			
REV	DESCRIPTION	DATE	APPROVED
00	INITIAL RELEASE	03/23/11	JG
01	COMBINE POD and LAND PATTERN	4/1/13	RC
02	ADD NOTE RECOMMENDED LAND PATTERN	2/25/14	J.H
03	ADD EPAD OPTION & aaa tol change	4/17/14	J.H
04	ADD EPAD OPTION	12/11/14	CM

SYMBOL	DIMENSION		
	MIN	NOM	MAX
L	0.30	0.40	0.50
D	5.00 BSC		
E	5.00 BSC		
e	0.50 BSC		
A	0.70	0.75	0.80
A1	0.00	0.02	0.05
b	.20	.25	.30
aaa	0.10		
bbb	0.10		
ccc	0.10		
ddd	0.05		
eee	0.08		
fff	0.10		

TOLERANCES UNLESS SPECIFIED DECIMAL ANGULAR X± .1 ±1° XX± .05 XXX± .030				6024 SILVER CREEK VALLEY ROAD. SAN JOSE, CA 95138 PHONE: (408) 284-8200 FAX: (408) 284-3572	
APPROVALS	DATE	TITLE NB/NBG32 PACKAGE OUTLINE			
DRAWN <i>js</i>	03/23/11	5.0 x 5.0 mm BODY			
CHECKED		0.50 mm PITCH QFN			
		SIZE	DRAWING No.	REV	
		C	PSC-4348	04	
DO NOT SCALE DRAWING					SHEET 1 OF 2


REVISIONS			
REV	DESCRIPTION	DATE	APPROVED
00	INITIAL RELEASE	03/23/11	JG
01	COMBINE POD and LAND PATTERN	4/1/13	RC
02	ADD NOTE RECOMMENDED LAND PATTERN	2/25/14	J.H
03	ADD EPAD OPTION & aaa tol change	4/17/14	J.H
04	ADD EPAD OPTION	12/11/14	CM



RECOMMENDED LAND PATTERN DIMENSION

NOTES:

1. ALL DIMENSION ARE IN mm. ANGLES IN DEGREES.
2. TOP DOWN VIEW, AS VIEWED ON PCB.
3. COMPONENT OUTLINE SHOW FOR REFERENCE IN GREEN.
4. LAND PATTERN IN BLUE. NSMD PATTERN ASSUMED.
5. LAND PATTERN RECOMMENDATION PER IPC-7351B GENERIC REQUIREMENT FOR SURFACE MOUNT DESIGN AND LAND PATTERN.

TOLERANCES UNLESS SPECIFIED		 <b>6024 SILVER CREEK VALLEY ROAD. SAN JOSE, CA 95138</b> PHONE: (408) 284-8200 FAX: (408) 284-3572
DECIMAL	ANGULAR	
X ± .1	± 1°	<b>www.IDT.com</b> TITLE NB/NBG32 PACKAGE OUTLINE 5.0 x 5.0 mm BODY 0.50 mm PITCH QFN
XX ± .05		
XXX ± .030		APPROVALS DATE DRAWN <i>[Signature]</i> 03/23/11 CHECKED
SIZE		REV
C		04
DRAWING No.		
PSC-4348		
DO NOT SCALE DRAWING		SHEET 2 OF 2