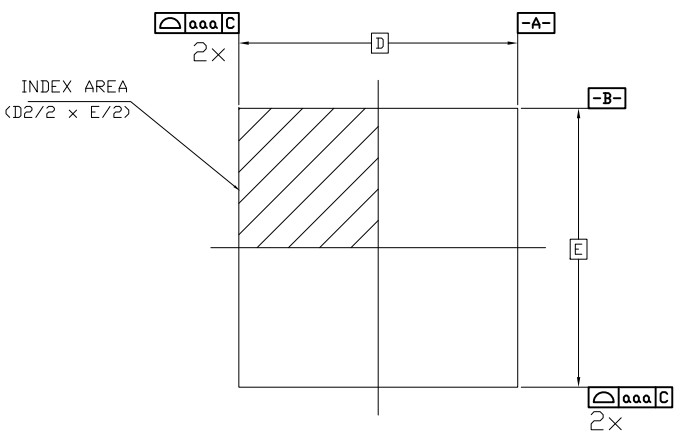
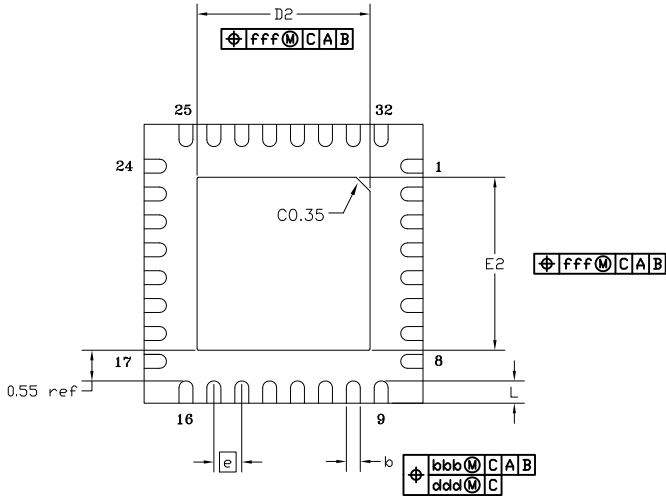


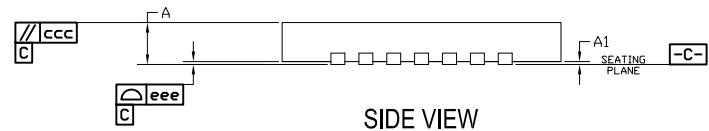
REVISIONS			
REV	DESCRIPTION	DATE	APPROVED
00	INITIAL RELEASE	4/14/16	JH



TOP VIEW




BOTTOM VIEW



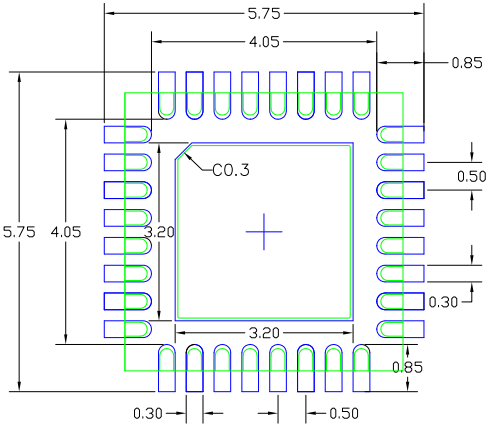
SIDE VIEW

SYMBOL	DIMENSION		
	MIN	NOM	MAX
L	0.30	0.40	0.50
D	5.00 BSC		
E	5.00 BSC		
D2	3.00	3.10	3.20
E2	3.00	3.10	3.20
e	0.50 BSC		
A	0.70	0.75	0.80
A1	0.00	0.02	0.05
b	.20	.25	.30
aaa	0.10		
bbb	0.10		
ccc	0.10		
ddd	0.05		
eee	0.08		
fff	0.10		

- NOTES:
1. ALL DIMENSIONING AND TOLERANCING CONFORM TO ANSI Y14.5M-1982
  2. ALL DIMENSIONS ARE IN MILLIMETERS.


TOLERANCES UNLESS SPECIFIED		 <b>www.IDT.com</b>	6024 SILVER CREEK VALLEY ROAD. SAN JOSE, CA 95138 PHONE: (408) 284-8200 FAX: (408) 284-3572	
DECIMAL	ANGULAR		TITLE NB/NBG32 PACKAGE OUTLINE 5.0 x 5.0 mm BODY, EP 3.1 mm SQ. 0.50 mm PITCH QFN	
X± .1	±1°	APPROVALS	DATE	REV
XX± .05		DRAWN <i>RAC</i>	4/14/16	00
XXX± .030		CHECKED		
		SIZE	DRAWING No.	
		<b>C</b>	PSC-4348-01	
DO NOT SCALE DRAWING			SHEET 1 OF 2	

REVISIONS			
REV	DESCRIPTION	DATE	APPROVED
00	INITIAL RELEASE	4/14/16	JH



RECOMMENDED LAND PATTERN DIMENSION

- NOTES:
1. ALL DIMENSIONS ARE IN mm. ANGLES IN DEGREES.
  2. TOP DOWN VIEW, AS VIEWED ON PCB.
  3. COMPONENT OUTLINE SHOWN FOR REFERENCE IN GREEN.
  4. LAND PATTERN IN BLUE. NSMD PATTERN ASSUMED.
  5. LAND PATTERN RECOMMENDATION PER IPC-7351B GENERIC REQUIREMENT FOR SURFACE MOUNT DESIGN AND LAND PATTERN.

TOLERANCES UNLESS SPECIFIED DECIMAL    ANGULAR X± .1       ±1° XX± .05 XXX± .030		 <b>6024 SILVER CREEK VALLEY ROAD. SAN JOSE, CA 95138</b> PHONE: (408) 284-8200 FAX: (408) 284-3572 <a href="http://www.IDT.com">www.IDT.com</a>		
APPROVALS	DATE			TITLE NB/NBG32 PACKAGE OUTLINE 5.0 x 5.0 mm BODY, EP 3.1 mm SQ. 0.50 mm PITCH QFN
DRAWN <i>RAC</i>	4/14/16			
CHECKED				
		SIZE	DRAWING No.	REV
		<b>C</b>	PSC-4348-01	00
DO NOT SCALE DRAWING			SHEET 2 OF 2	