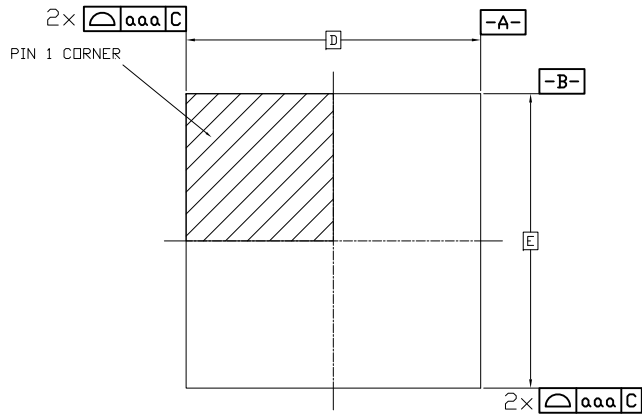
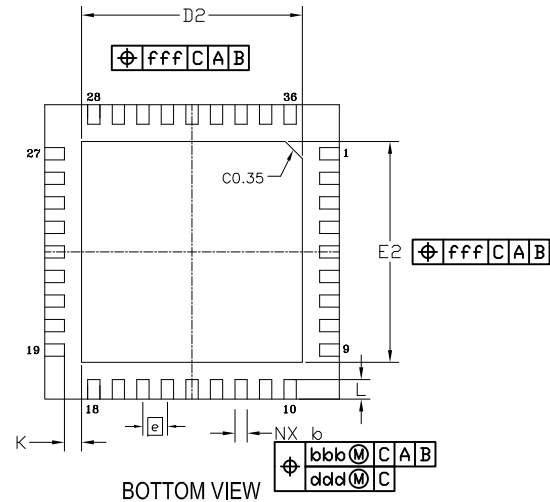


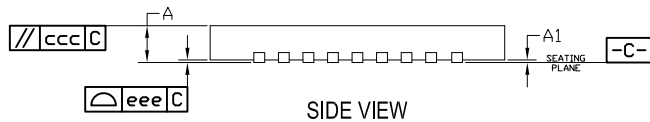
DATE		REVISIONS		
CREATED	REV	DESCRIPTION	AUTHOR	
5/23/17	00	INITIAL RELEASE	JH	
NOTE: REFER TO DCP FOR OFFICIAL RELEASE DATE				



TOP VIEW



BOTTOM VIEW



SIDE VIEW

SYMBOL	DIMENSION		
	MIN	NOM	MAX
L	0.35	0.40	0.45
D	6.00 BSC		
E	6.00 BSC		
D2	4.40	4.50	4.60
E2	4.40	4.50	4.60
e	0.50 BSC		
A	0.70	0.75	0.80
A1	0.00	.035	0.05
b	0.20	0.25	0.30
K	0.35 REF		
aaa	0.10		
bbb	0.10		
ccc	0.10		
ddd	0.10		
eee	0.08		
fff	0.10		

NOTES:

1. ALL DIMENSIONING AND TOLERANCING CONFORM TO ANSI Y14.5M-1982
2. ALL DIMENSIONS ARE IN MILLIMETERS.

TOLERANCES
 UNLESS SPECIFIED
 DECIMAL ANGULAR
 X± .1 ±1°
 XX± .05
 XXX± .030



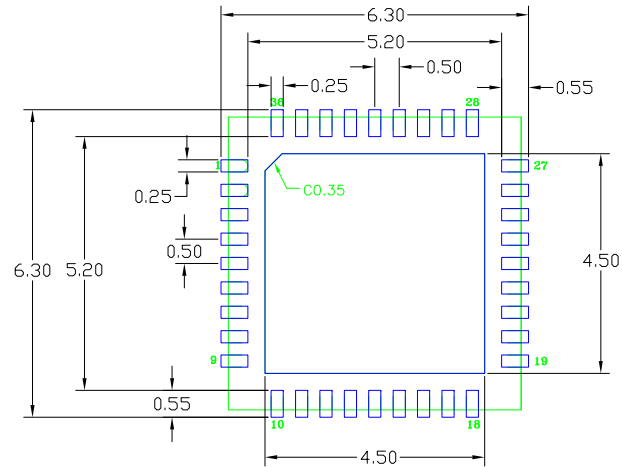
6024 SILVER CREEK
 VALLEY ROAD, SAN JOSE,
 CA 95138
 PHONE: (408) 284-8200
 FAX: (408) 284-3572

TITLE NB/NBG36P4 PACKAGE OUTLINE
 6.0 x 6.0 mm BODY, EPAD 4.50 mm SQ
 0.50 mm PITCH QFN

SIZE	DRAWING No.	REV
C	PSC-4311-04	00

DO NOT SCALE DRAWING SHEET 1 OF 2


DATE		REVISIONS	
CREATED	REV	DESCRIPTION	AUTHOR
5/23/17	00	INITIAL RELEASE	JH
NOTE: REFER TO DCP FOR OFFICIAL RELEASE DATE			



RECOMMENDED LAND PATTERN DIMENSION

NOTES:

1. ALL DIMENSIONS ARE IN MM. ANGLES IN DEGREES.
2. TOP DOWN VIEW. AS VIEWED ON PCB.
3. COMPONENT OUTLINE SHOWS FOR REFERENCE IN GREEN.
4. LAND PATTERN IN BLUE. NSMD PATTERN ASSUMED.
5. LAND PATTERN RECOMMENDATION PER IPC-7351B GENERIC REQUIREMENT FOR SURFACE MOUNT DESIGN AND LAND PATTERN.

TOLERANCES UNLESS SPECIFIED DECIMAL ANGULAR X± .1 ±1° XX± .05 XXX± .030		 www.IDT.com	6024 SILVER CREEK VALLEY ROAD, SAN JOSE, CA 95138 PHONE: (408) 284-8200 FAX: (408) 284-3572
TITLE NB/NBC36P4 PACKAGE OUTLINE 6.0 x 6.0 mm BODY, EPAD 4.50 mm SQ 0.50 mm PITCH QFN			
SIZE	DRAWING No.	REV	
C	PSC-4311-04	00	
DO NOT SCALE DRAWING			SHEET 2 OF 2