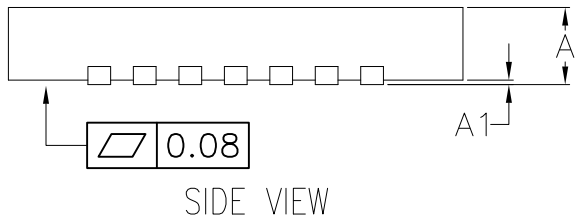
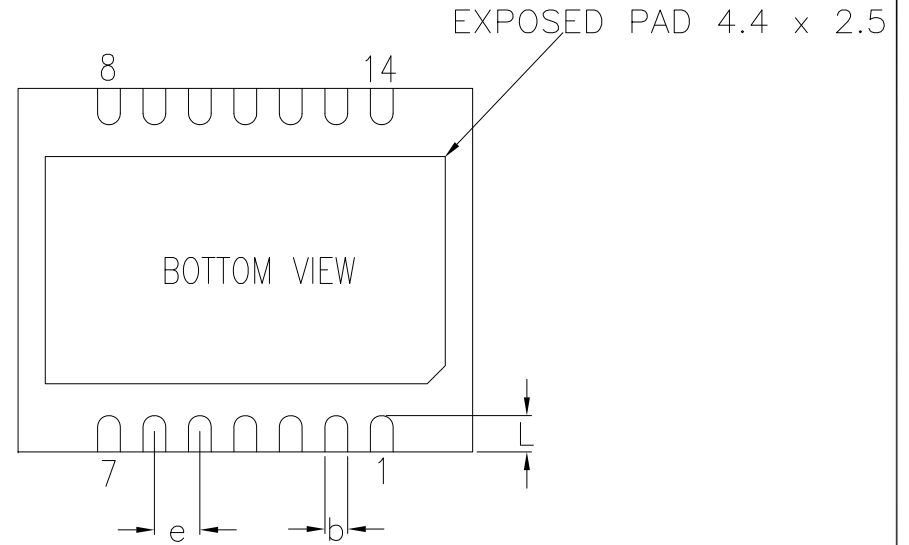
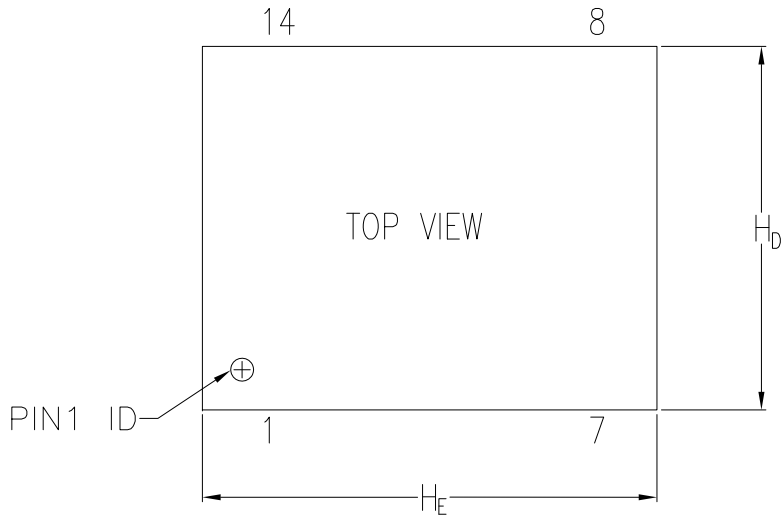


BASED ON JEDEC MO-229


1. DIMENSIONS (IN MILLIMETERS)



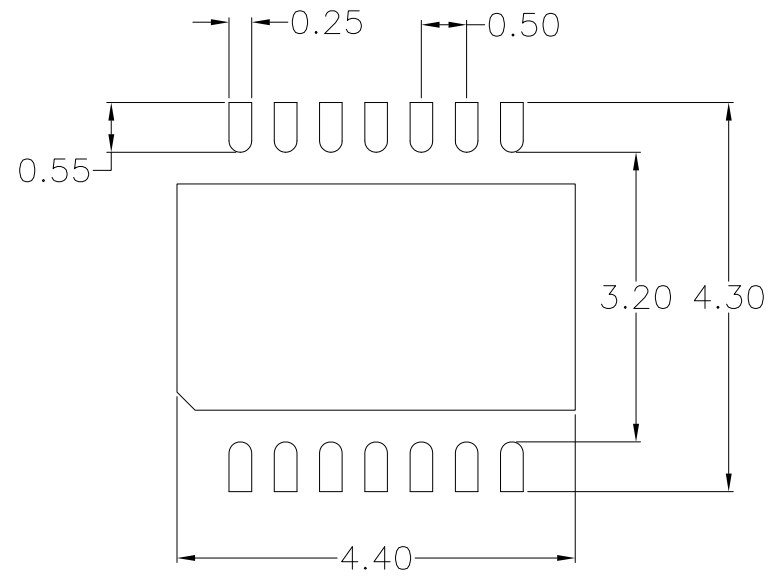
- 2. WEIGHT  $\leq 0.05g$
- 3. PACKAGE BODY MATERIAL LOW STRESS EPOXY
- 4. LEAD MATERIAL Cu ALLOY
- 5. LEAD FINISH SOLDER PLATING

DIMENSIONS	MIN.	MAX.
A	0.8	0.9
A1	0	0.05
b	0.2	0.3
e	0.5 nom	
H <sub>D</sub>	3.9	4.1
H <sub>E</sub>	4.9	5.1
L	0.3	0.5


REVISIONS			
REV	DESCRIPTION	DATE	APPROVED
00	INITIAL RELEASE	2/24/16	J.HUA
01	ADDED LAND PATTERN	12/5/17	J.HUA

TOLERANCES UNLESS SPECIFIED		 6024 Silver Creek Valley Rd San Jose, CA 95138 PHONE: (408) 727-6116 FAX: (408) 492-8674
DECIMAL	ANGULAR	
XXX±	±	www.IDT.com
XXX±		
XXXX±		
APPROVALS	DATE	TITLE
DRAWN <i>pac</i>	2/24/16	NSG14 PACKAGE OUTLINE
CHECKED		5.0 x 4.0 mm BODY , EPAD 4.4 x 2.5
		0.5 mm PITCH DFN
	SIZE	DRAWING No.
	C	PSC-4649
		REV
		01
DO NOT SCALE DRAWING		SHEET 1 OF 2

REVISIONS			
REV	DESCRIPTION	DATE	APPROVED
00	INITIAL RELEASE	2/24/16	J.HUA
01	ADDED LAND PATTERN	12/5/17	J.HUA



RECOMMENDED LAND PATTERN DIMENSION

TOLERANCES UNLESS SPECIFIED		 <b>IDT™</b> 6024 Silver Creek Valley Rd San Jose, CA 95138 PHONE: (408) 727-6116 FAX: (408) 492-8674 <a href="http://www.IDT.com">www.IDT.com</a>	
DECIMAL	ANGULAR		
XX±	±		
XXX±			
APPROVALS	DATE	TITLE NSG14 PACKAGE OUTLINE 5.0 x 4.0 mm BODY , EPAD 4.4 x 2.5 0.5 mm PITCH DFN	
DRAWN <i>BA</i>	2/24/16		
CHECKED			
	SIZE	DRAWING No.	REV
	<b>C</b>	PSC-4649	01
DO NOT SCALE DRAWING			SHEET 2 OF 2