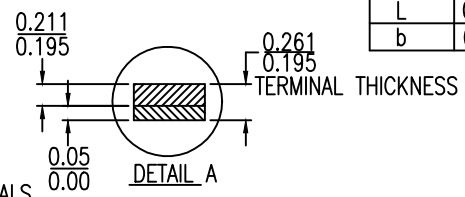
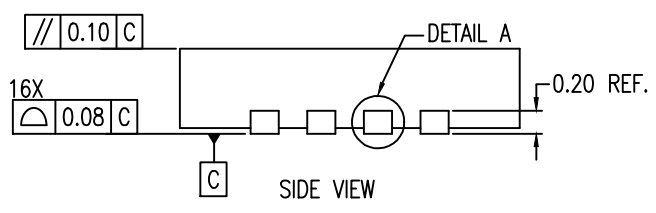
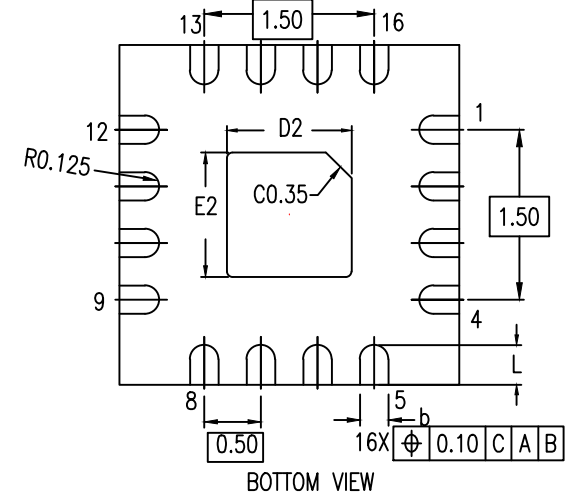
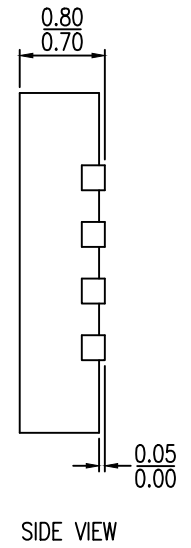
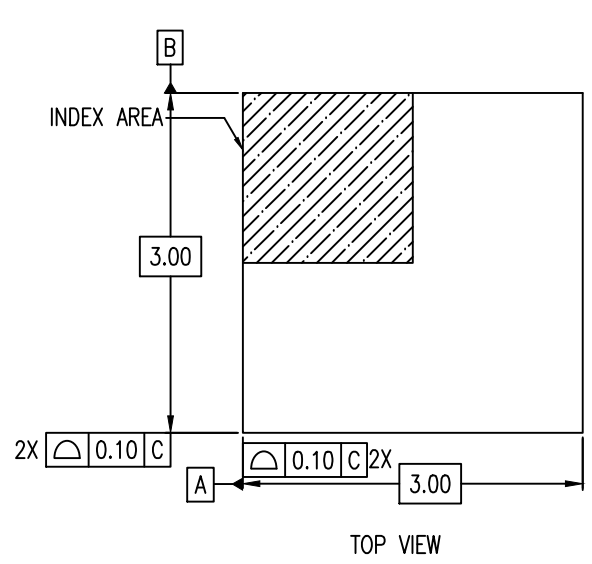


DATE CREATED	REVISIONS		
	REV	DESCRIPTION	AUTHOR
12/08/09	00	INITIAL RELEASE	P.PAIK
06/14/11	01	UPDATE DIMS TO MATCH SUBCON	JG
12/10/13	02	COMBINE POD & LAND PATTERN	J.H
7/6/18	03	CHANGE TQFN TO VFQFPN, NEW FORMAT	RC
7/12/18	04	ADD EPAD AND LEAD OPTION	RC
8/22/18	05	ADD LEAD OPTION T1	RC

NOTE: REFER TO DCP FOR OFFICIAL RELEASE DATE



EPAD/LEAD OPTION:

SYMBOL	P1			P2			T1		
	MIN	NOM	MAX	MIN	NOM	MAX	MIN	NOM	MAX
D2	1.00	1.10	1.20	1.50	1.60	1.70	1.55	1.60	1.65
E2	1.00	1.10	1.20	1.50	1.60	1.70	1.55	1.60	1.65
L	0.25	0.35	0.45	0.30	0.40	0.50	0.35	0.40	0.45
b	0.20	0.25	0.30	0.20	0.25	0.30	0.20	0.25	0.30

- NOTE :
1. ALL DIMENSIONS ARE IN MM. ANGLES IN DEGREES.
 2. COPLANARITY APPLIES TO THE EXPOSED PAD AS WELL AS THE TERMINALS. COPLANARITY SHALL NOT EXCEED 0.05 MM.
 3. WARPAGE SHALL NOT EXCEED 0.05 MM.
 4. PACKAGE LENGTH / PACKAGE WIDTH ARE CONSIDERED AS SPECIAL CHARACTERISTIC. (S)
 5. REFER JEDEC MO-220.

TOLERANCES UNLESS SPECIFIED
 DECIMAL ANGULAR
 X±.1 ±1°
 XX±.05
 XXX±.030

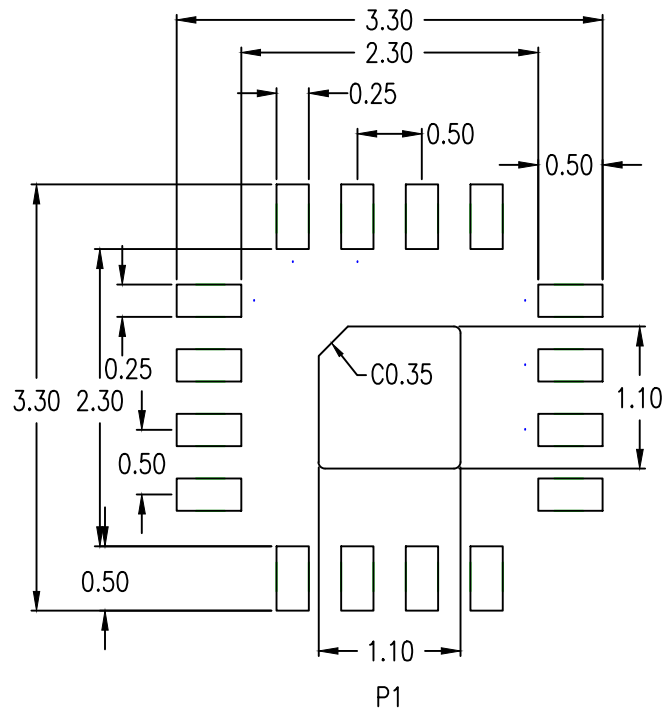
IDT™ 6024 SILVER CREEK VALLEY ROAD, SAN JOSE, CA 95138
 PHONE: (408) 284-8200 FAX: (408) 284-3572
www.IDT.com

TITLE NTG16 Package Outline Drawing
 3.0 x 3.0 x 0.75 mm Body
 0.50mm Pitch VFQFPN

SIZE C	DRAWING No. PSC-4296	REV 05
------------------	-------------------------	-----------

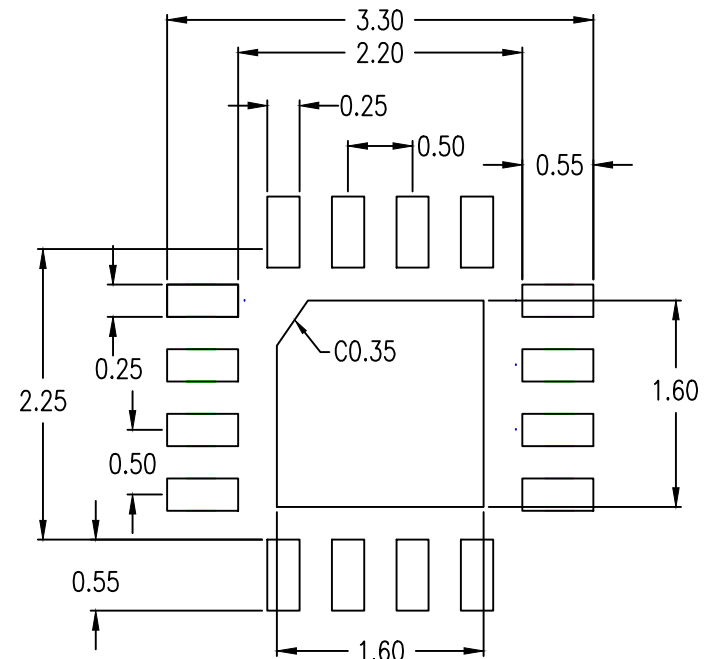
DATE CREATED	REVISIONS		
	REV	DESCRIPTION	AUTHOR
12/08/09	00	INITIAL RELEASE	P.PAIK
06/14/11	01	UPDATE DIMS TO MATCH SUBCON	JG
12/10/13	02	COMBINE POD & LAND PATTERN	J.H
7/6/18	03	CHANGE TQFN TO VFQFPN, NEW FORMAT	RC
7/12/18	04	ADD EPAD AND LEAD OPTION	RC
8/22/18	05	ADD LEAD OPTION T1	RC

NOTE: REFER TO DCP FOR OFFICIAL RELEASE DATE



P1


RECOMMENDED LAND PATTERN DIMENSION



P2/T1

NOTES:

1. ALL DIMENSION ARE IN MM. ANGLES IN DEGREES.
2. TOP DOWN VIEW. AS VIEWED ON PCB.
3. LAND PATTERN RECOMMENDATION PER IPC-7351B GENERIC REQUIREMENT FOR SURFACE MOUNT DESIGN AND LAND PATTERN.

TOLERANCES UNLESS SPECIFIED		 6024 SILVER CREEK VALLEY ROAD. SAN JOSE, CA 95138 PHONE: (408) 284-8200 FAX: (408) 284-3572 www.IDT.com
DECIMAL	ANGULAR	
X±.1	±1°	
XX±.05		
XXX±.030		
TITLE NTG16 Package Outline Drawing 3.0 x 3.0 x 0.75 mm Body 0.50mm Pitch VFQFPN		
SIZE	DRAWING No.	REV
C	PSC-4296	05
DO NOT SCALE DRAWING		SHEET 2 OF 2