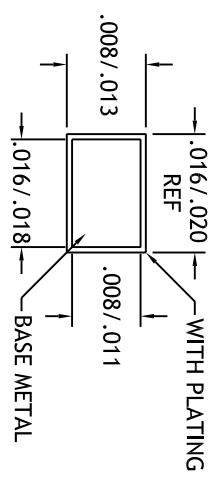
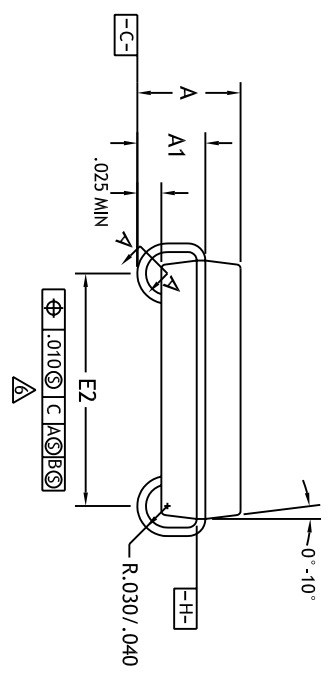
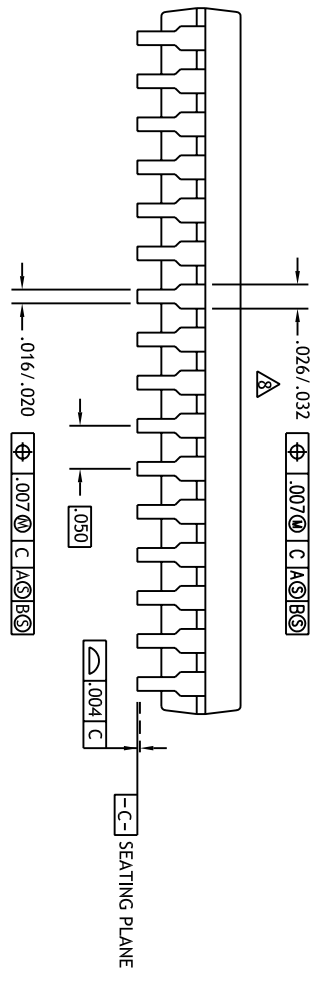
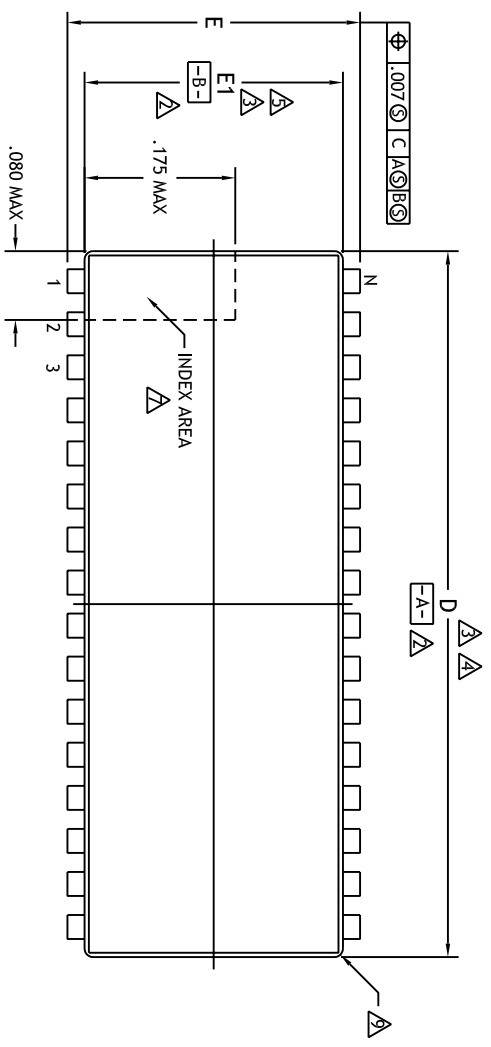


REVISIONS				
DCN	REV	DESCRIPTION	DATE	APPROVED
27655	00	MOVE FROM PSC-4024 REDRAW TO JEDEC FORMAT	03/15/95	
	01	ADD "GREEN" P/G NOMENCLATURE	10/12/04	TU VU



TOLERANCES UNLESS SPECIFIED		2975 Stender Way	
DECIMAL	ANGULAR	San Jose, CA 95054	
XXX	F	PHONE: (408) 727-6116	
XXXX		FAX: (408) 492-8674	
XXXXX		WWW.IDI.COM	
APPROVALS	DATE	TITLE	PJ/PJG 32 PACKAGE OUTLINE
DRAWN 797	03/15/95	SIZE	.300" BODY WIDTH SOU
CHECKED		DRAWING No.	PSC-4047
		REV	01
DO NOT SCALE DRAWING		SHEET 1 OF 2	

REVISIONS				
DCN	REV	DESCRIPTION	DATE	APPROVED
27655	00	MOVE FROM PSC-4024 REDRAW TO JEDEC FORMAT	03/15/95	
	01	ADD "GREEN" P/G NOMENCLATURE	10/12/04	TU VU

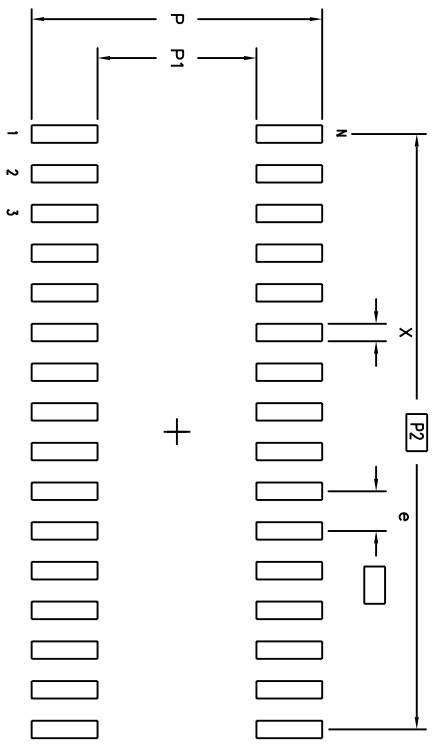
SYMBOL	JEDEC VARIATION			N
	AC	OT	E	
A	.130	.139	.148	
A1	.082	.088	.095	
D	.820	.825	.830	3,4
E	.330	.335	.340	
E1	.295	.300	.305	3,5
E2	.260	.267	.275	6
N	32			

NOTES:


- ALL DIMENSIONING AND TOLERANCING CONFORM TO ANSI Y14.5M-1982
- DATUMS **-A-** AND **-B-** TO BE DETERMINED AT DATUM PLANE **-H-**
- DIMENSIONS D AND E1 ARE TO BE DETERMINED AT DATUM PLANE **-H-**
- DIMENSION D DOES NOT INCLUDE MOLD FLASH, PROTRUSIONS OR GATE BURRS. MOLD FLASH, PROTRUSIONS AND GATE BURRS SHALL NOT EXCEED .006 PER SIDE
- DIMENSION E1 DO NOT INCLUDE INTERLEAD FLASH OR PROTRUSIONS. INTERLEAD FLASH OR PROTRUSIONS SHALL NOT EXCEED .006 PER SIDE
- DIMENSION E2 TO BE DETERMINED AT SEATING PLANE **-C-** CONTACT POINT
- DETAIL OF PIN 1 IDENTIFIER IS OPTIONAL BUT MUST BE LOCATED WITHIN THE ZONE INDICATED
- LEAD WIDTH DIMENSION DOES NOT INCLUDE DAMBAR PROTRUSION. ALLOWABLE DAMBAR PROTRUSION IS .005 IN EXCESS OF THE LEAD WIDTH DIMENSION AT MAXIMUM MATERIAL CONDITION
- EXACT SHAPE OF EACH CORNER IS OPTIONAL
- ALL DIMENSIONS ARE IN INCHES

THIS OUTLINE CONFORMS TO JEDEC PUBLICATION 95 REGISTRATION MO-077, VARIATION AG. EXCEPTIONS: JEDEC MAXIMUM PLATED & BASE METAL FRAME THICKNESS ARE .010 & .009 RESPECTIVELY

LAND PATTERN DIMENSIONS



	MIN	MAX
P	.362	.370
P1	.196	.204
P2	.750 BSC	
X	.018	.026
e	.050 BSC	
N	32	

TOLERANCES UNLESS SPECIFIED			
DECIMAL	ANGULAR	2975 Stender Way Santa Clara, CA 95054 PHONE: (408) 727-6116 FAX: (408) 492-8674	
XXX	±	www.IDT.com	
XXXX		2975 Stender Way	
XXXXX		Santa Clara, CA 95054	
APPROVALS	DATE	PHONE: (408) 727-6116	
DRAWN 377	03/15/95	FAX: (408) 492-8674	
CHECKED		TITLE Pj/PjG 32 PACKAGE OUTLINE	
		.300" BODY WIDTH SOJ	
		.050" PITCH	
SIZE	DRAWING No.	REV	
C	PSC-4047	01	
DO NOT SCALE DRAWING		SHEET 2 OF 2	