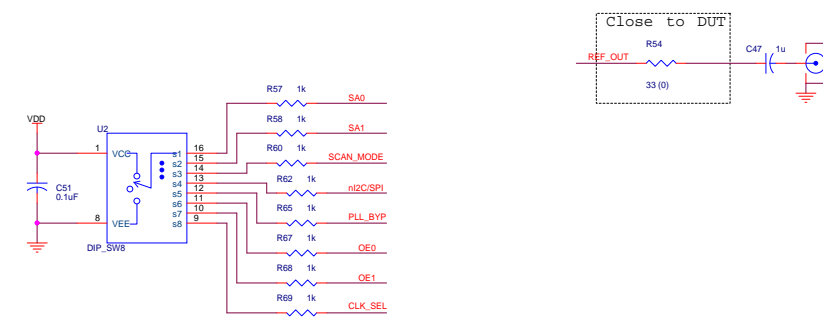
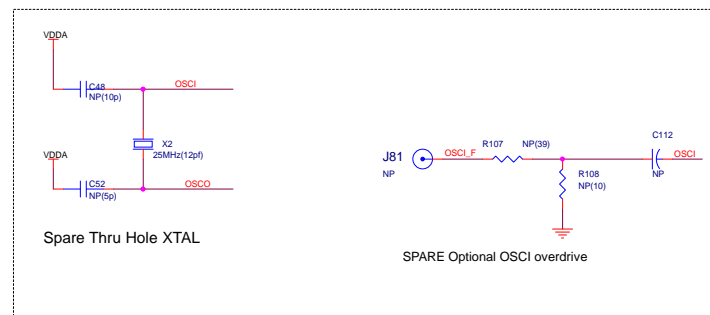
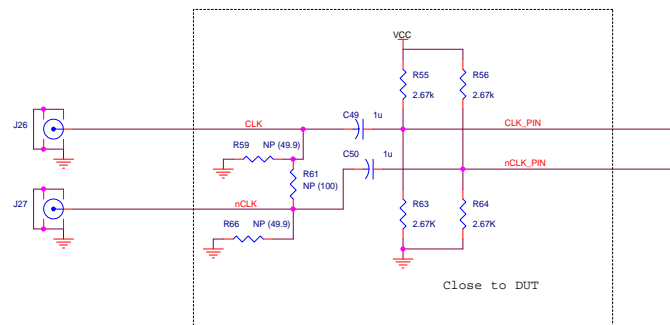
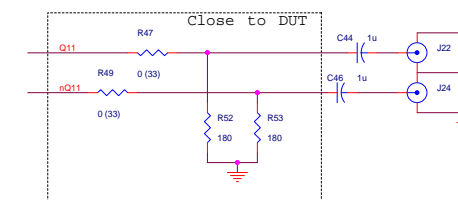
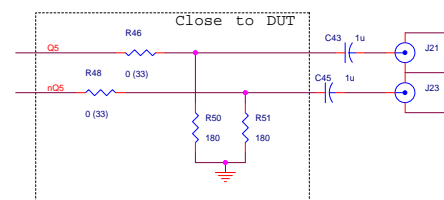
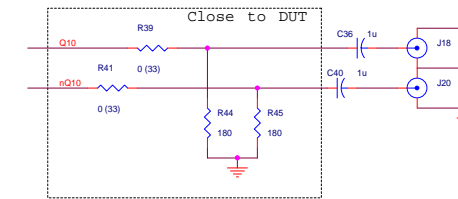
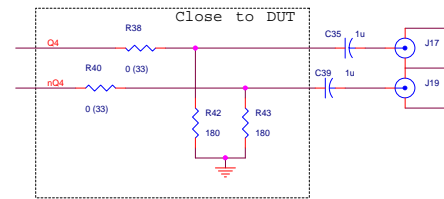
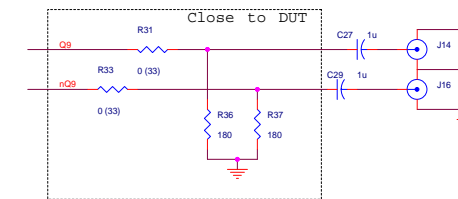
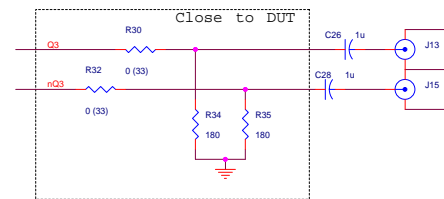
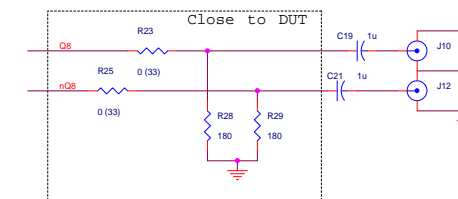
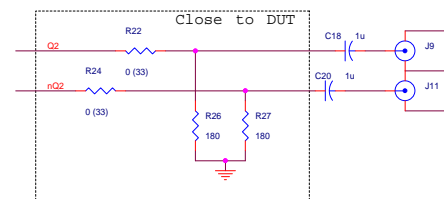
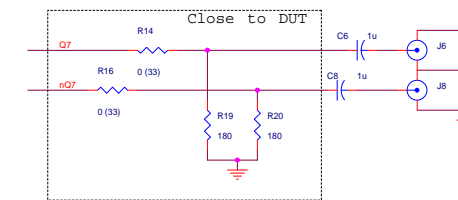
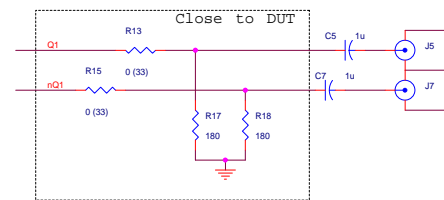
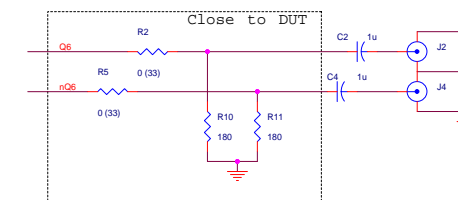
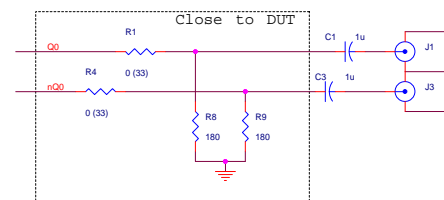
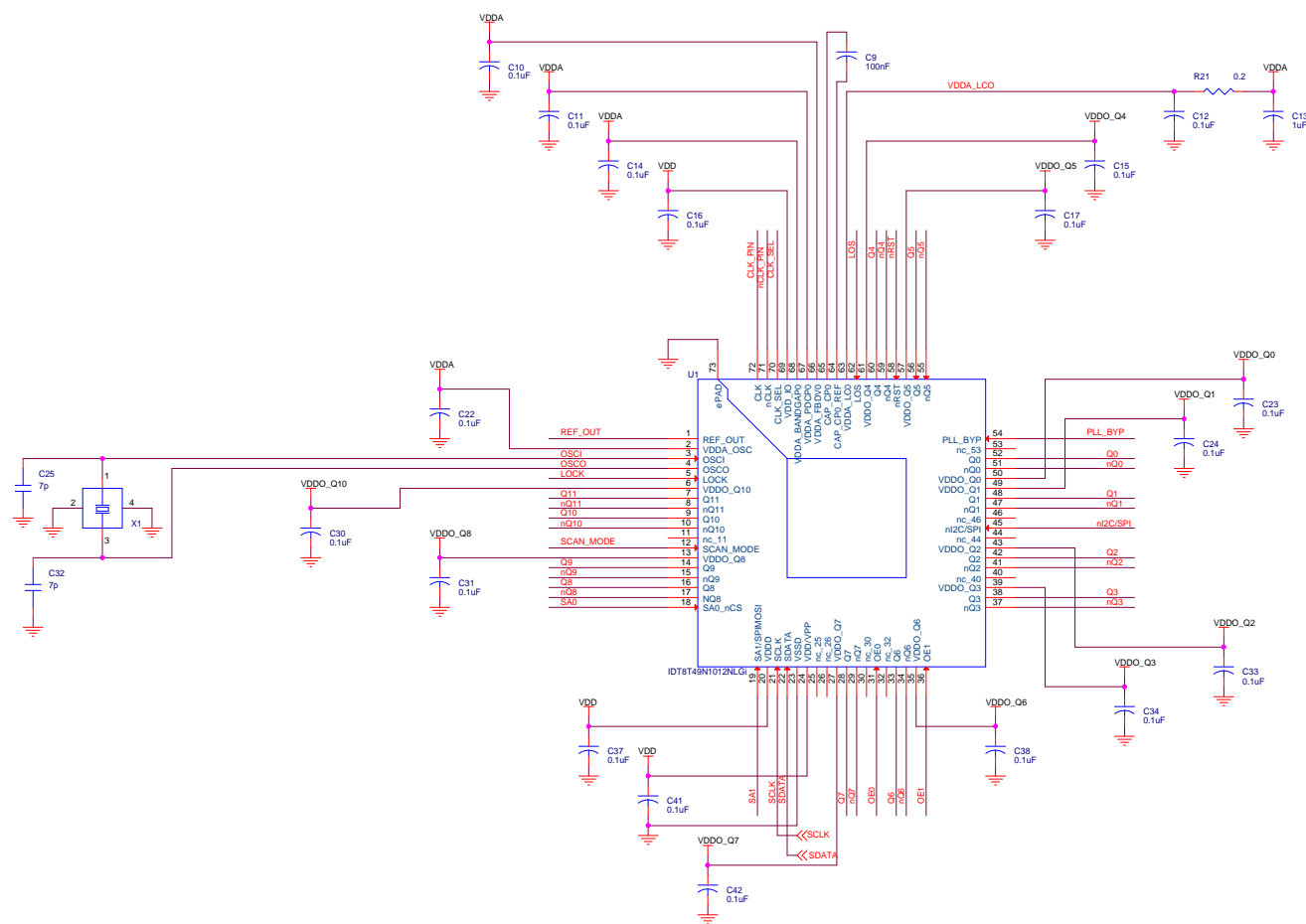
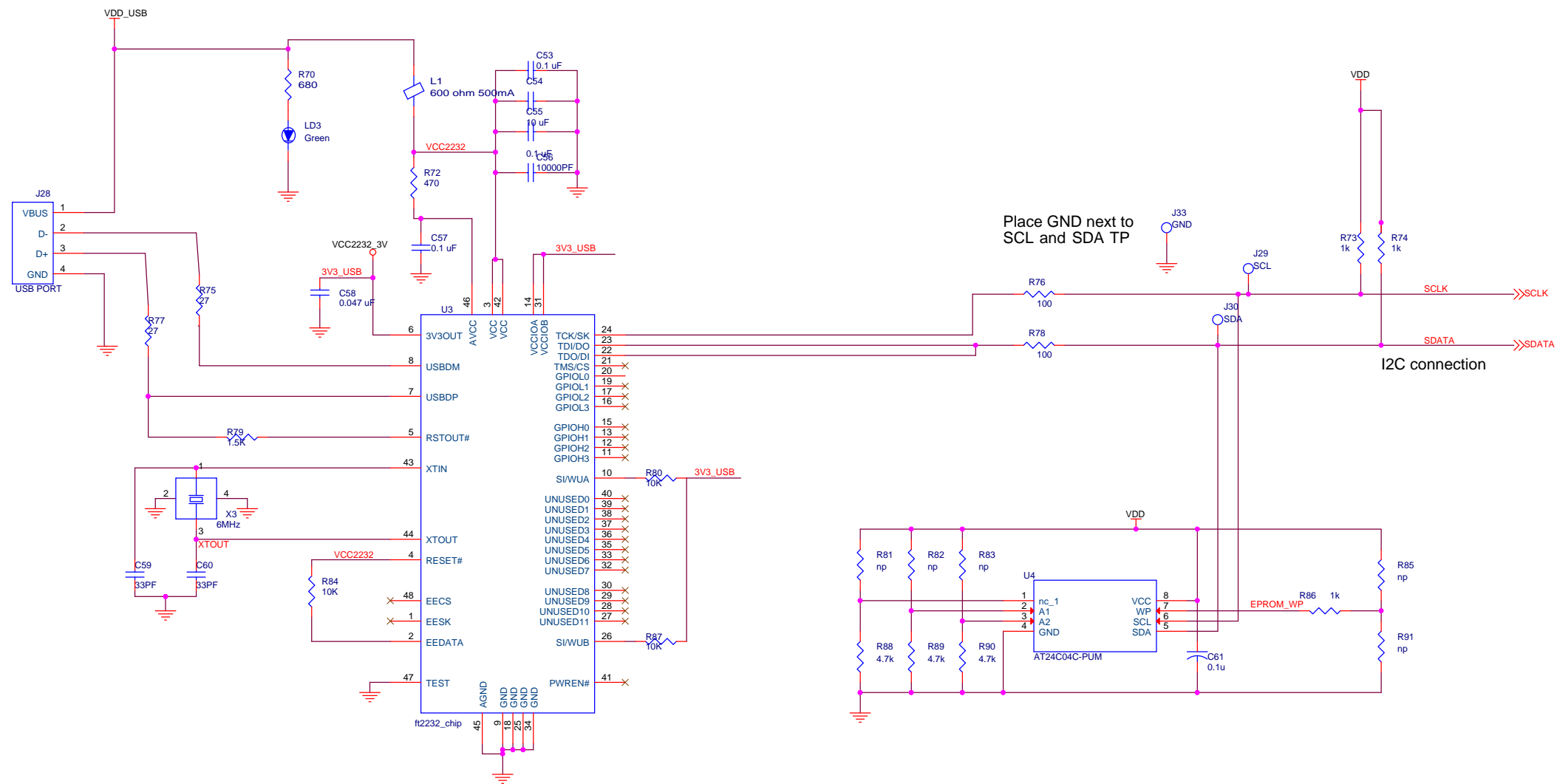


LD1 and LD2 Check the footprint in the layout. Verify that the symbol polarity/direction is correct.



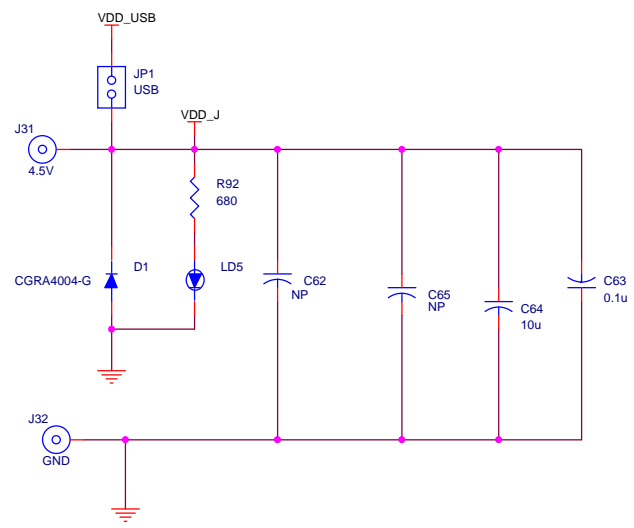
File	<Title>
Size	Document Number
D	<Doc>
Date	Wednesday, November 04, 2015 Sheet 1 of 3



Place GND next to SCL and SDA TP

I2C connection

Title		<Title>
Size	Document Number	Rev
C	<Doc>	<Rev Code>
Date:	Wednesday, November 04, 2015	Sheet 2 of 3



GND TP  
place near the  
LDOs

