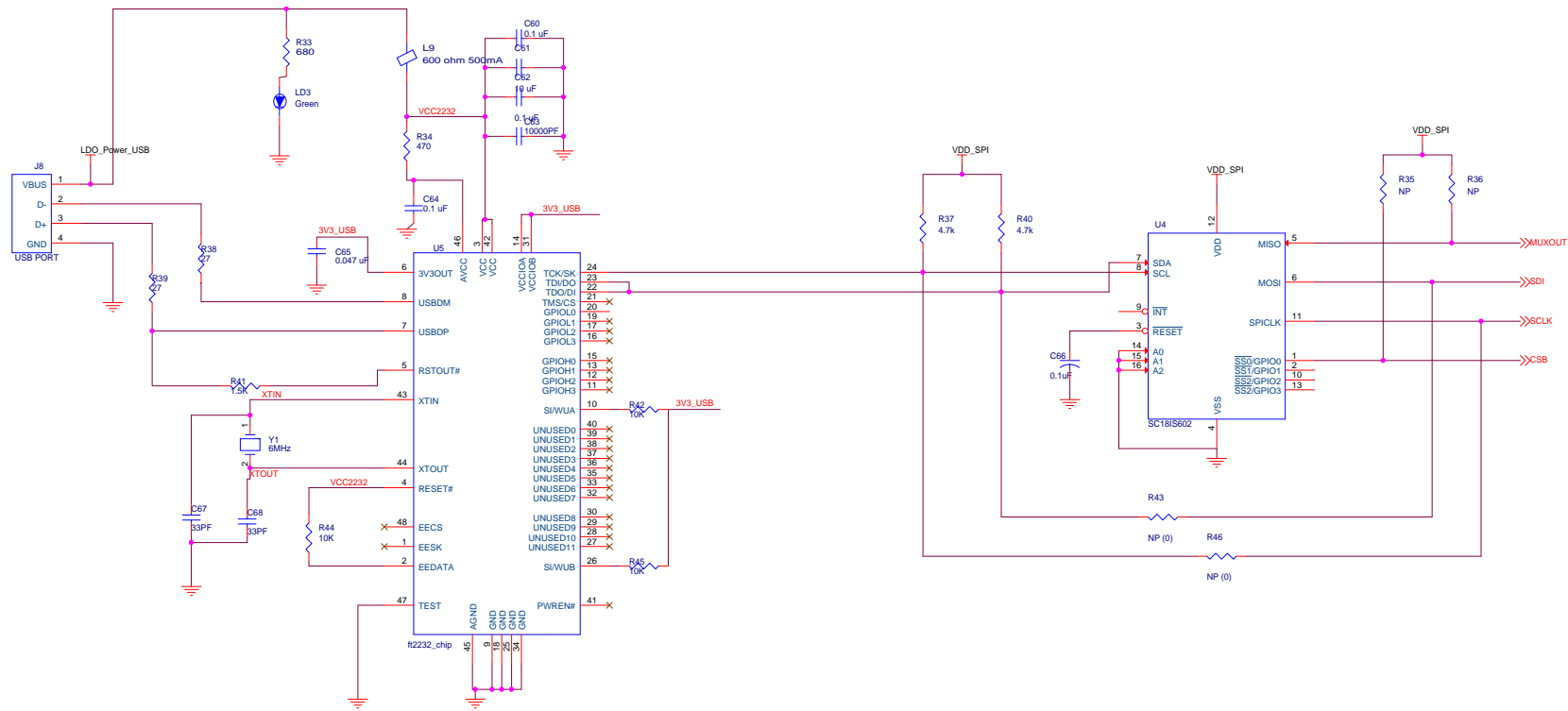
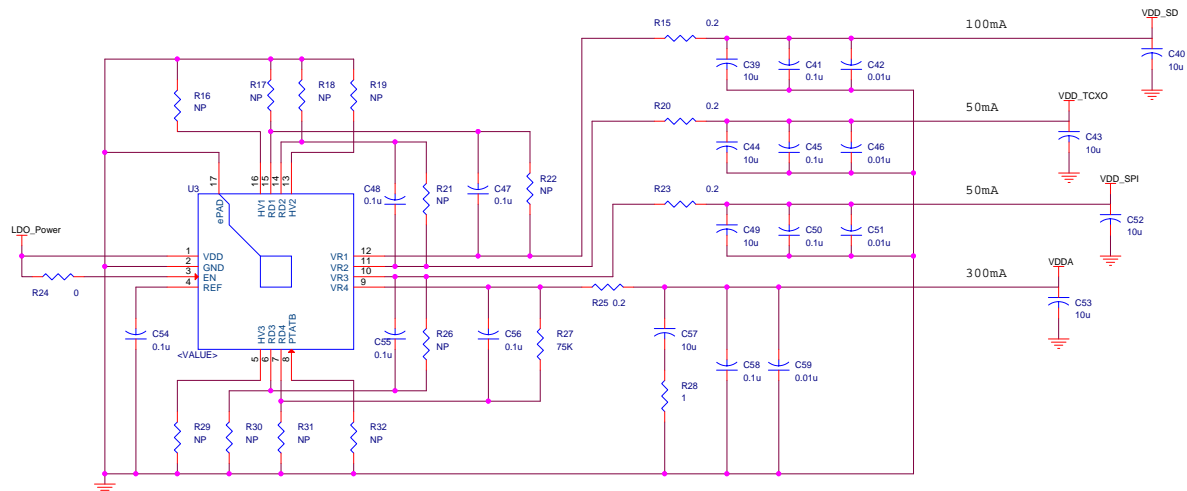
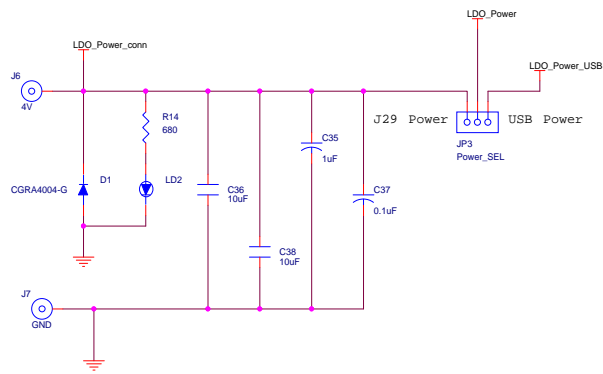


| | | |
|-------------------------------------|------------------------|--------------|
| File | | |
| 8V9705x Evaluation Board Schematics | | |
| Size | Document Number | Rev |
| C | <Doc> | A |
| Date: | Thursday, May 14, 2015 | Sheet 1 of 1 |





VDDA = V_CP, VDDA, V_VCO, VDDD

VDD_SPI = Translator, I2C PU, SPI PU

| | | | |
|-------------------------------------|-------------------------|-------|--------|
| File | | | |
| 8V9705x Evaluation Board Schematics | | | |
| Size | Document Number | Rev | |
| C | <Doc> | A | |
| Date: | Wednesday, May 13, 2015 | Sheet | 1 of 1 |