

Tsi382A (BGA) Evaluation Board Schematics

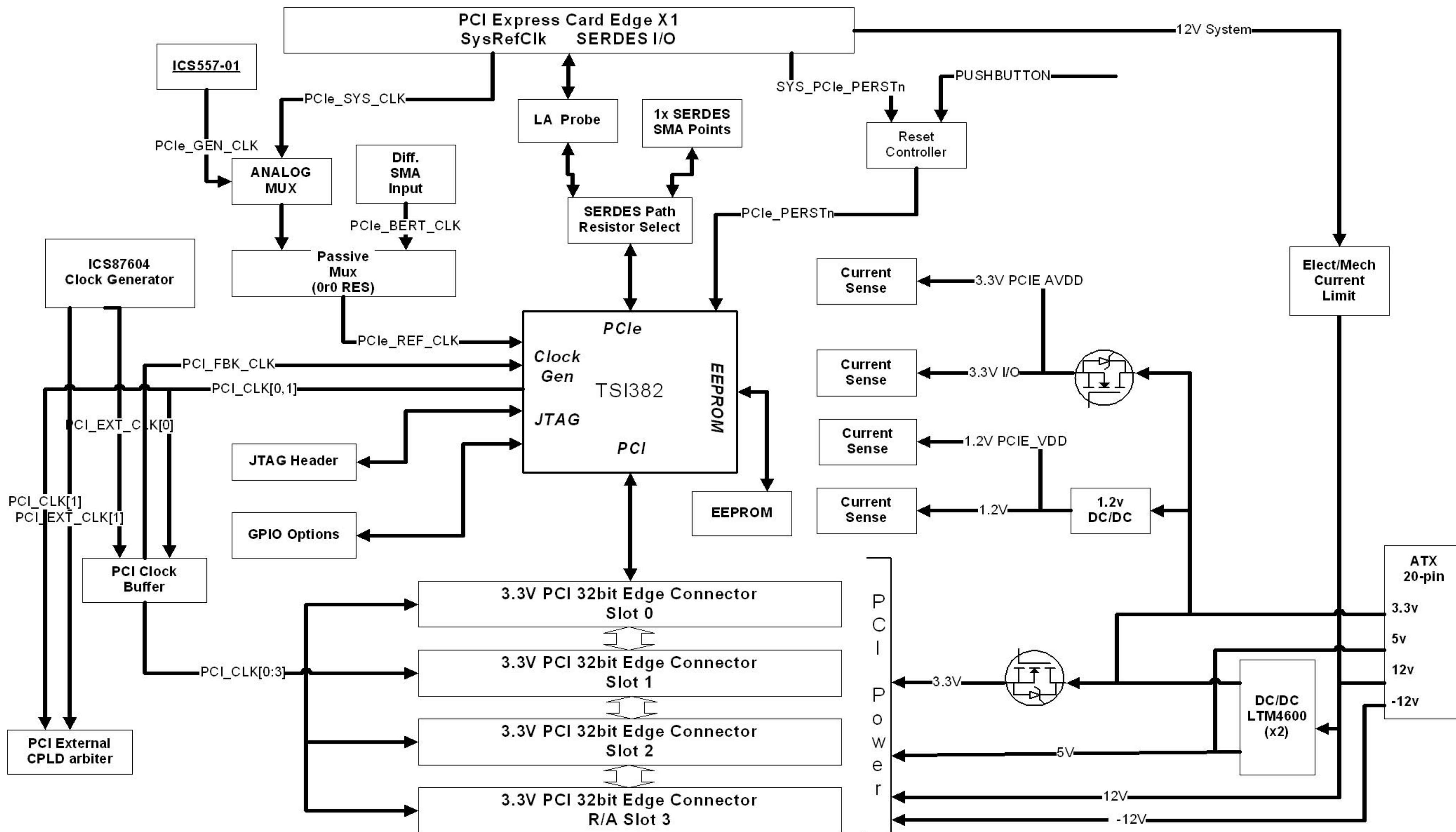
TABLE OF CONTENTS

- Sheet 1 - Table of Contents
- Sheet 2 - Block Diagram
- Sheet 3 - Tsi382A PCIe/Miscellaneous
- Sheet 4 - PCIe Connectors
- Sheet 5 - Tsi382A PCI Interface
- Sheet 6 - PCI Slot 0 (R/A Top)
- Sheet 7 - PCI Slot 1 (Vertical)
- Sheet 8 - PCI Slot 3 (Vertical)
- Sheet 9 - PCI Slot 2 (Vertical)
- Sheet 10 - Clock Distribution
- Sheet 11 - Power Sources
- Sheet 12 - Tsi382A Power/Regulators
- Sheet 13 - PCI Regulators
- Sheet 14 - Test Devices
- Sheet 15 - Test Devices Cont'd



TITLE :			
TABLE OF CONTENTS			
SIZE	DRAWING NUMBER :	Version:	DESIGNER :
C	60E204A_SC001_01	1.0	PHILIP LAUZON
LAST MODIFIED DATE :			SHEET OF
9-24-2007_9:40			1 15

BLOCK DIAGRAM

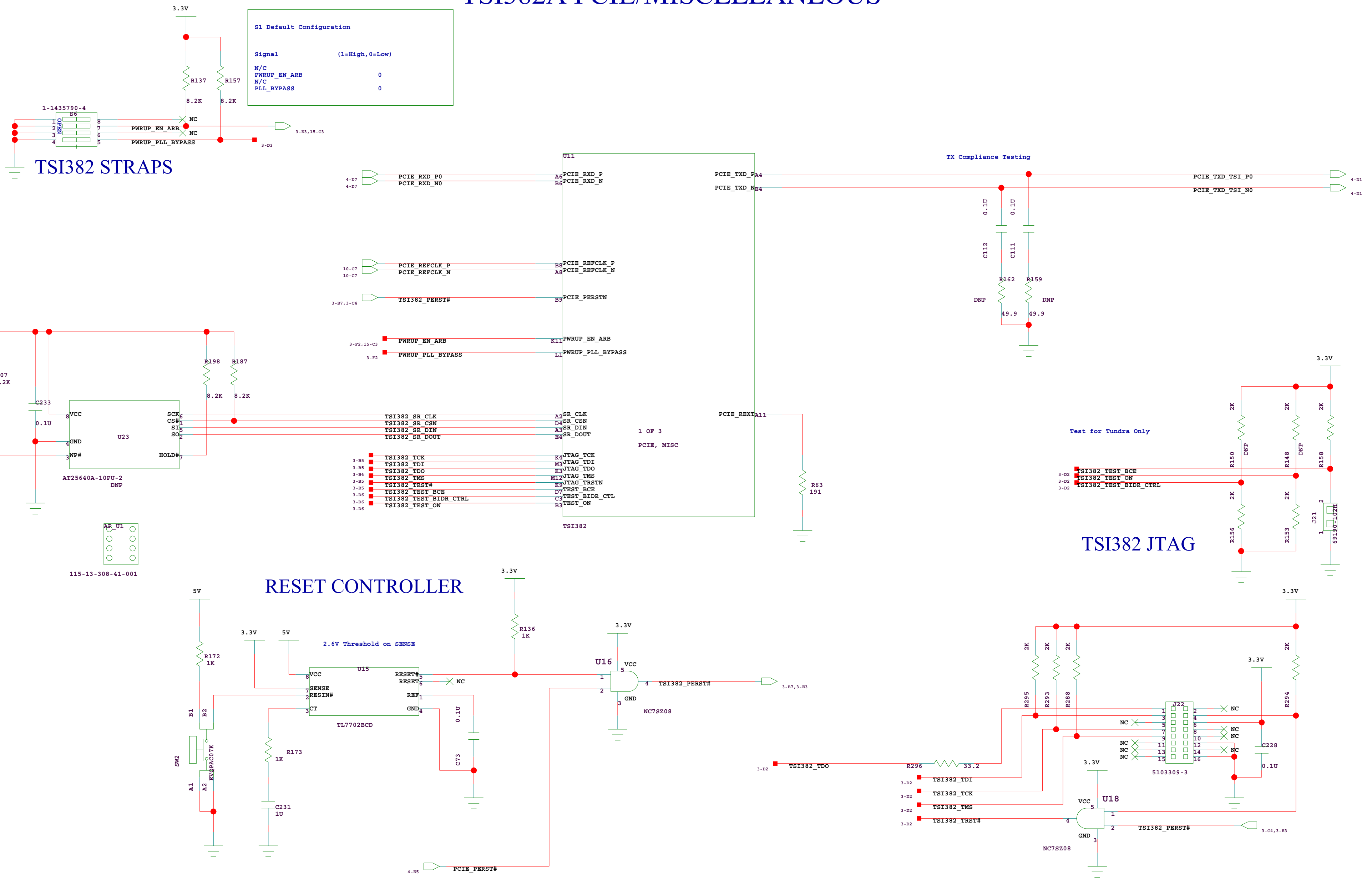



TUNDRA

TITLE : **BLOCK DIAGRAM**

SIZE	DRAWING NUMBER :	Version:	DESIGNER :
C	60E204A_SC001_01	1.0	PHILIP LAUZON
LAST MODIFIED DATE :		SHEET	
1-9-2008_14:55		2 OF 15	

TSI382A PCIE/MISCELLANEOUS





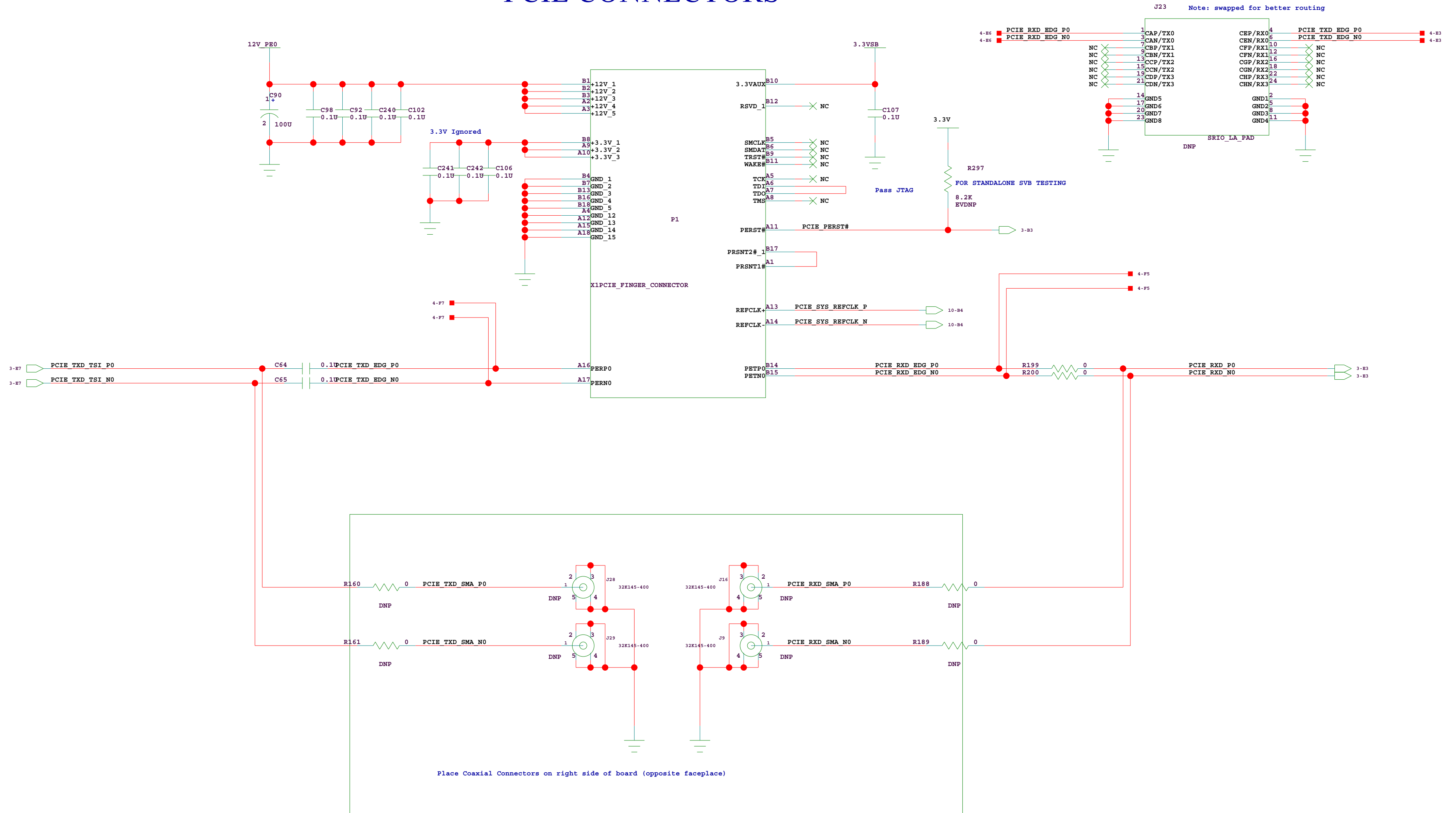
TITLE :
TSI382A PCIE/MISC

SIZE	DRAWING NUMBER :	Version:	DESIGNER :
C	60E204A0_SC001_01	1.0	PHILIP LAUZON

LAST MODIFIED DATE : 9-24-2007_9:40

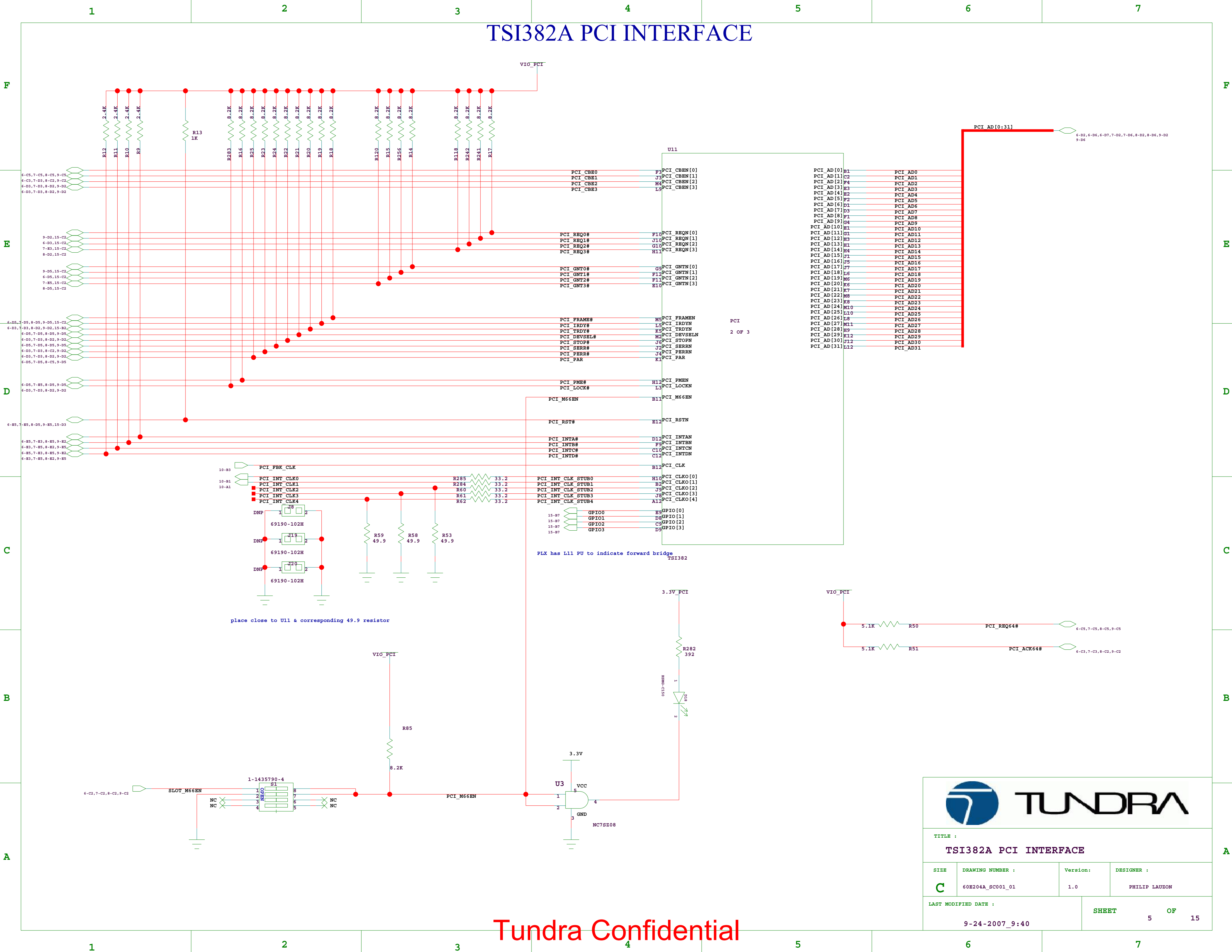
SHEET 3 OF 15

PCIE CONNECTORS



TITLE :			
PCIE CONNECTORS			
SIZE	DRAWING NUMBER :	Version:	DESIGNER :
C	60E204A_SCO01_01	1.0	PHILIP LAUZON
LAST MODIFIED DATE :			SHEET
1-9-2008_14:18			4 OF 15


TSI382A PCI INTERFACE



PCI
2 OF 3

PLX has L11 PU to indicate forward bridge
TSI382

place close to U11 & corresponding 49.9 resistor



TITLE :
TSI382A PCI INTERFACE

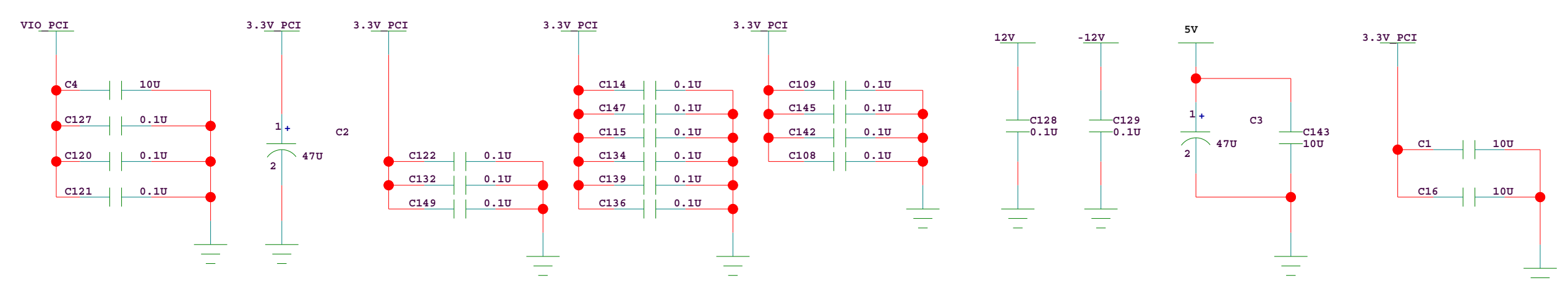
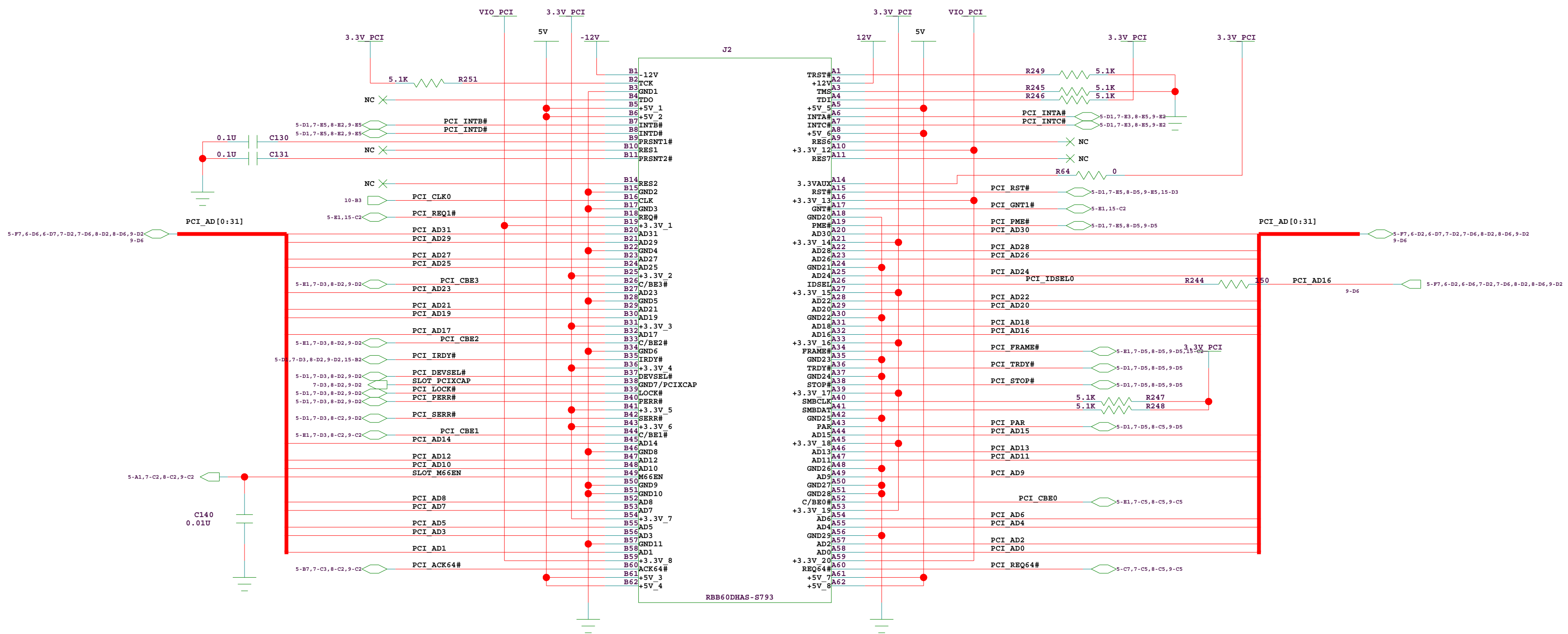
SIZE C	DRAWING NUMBER : 60E204A_SC001_01	Version: 1.0	DESIGNER : PHILIP LAUZON
------------------	--------------------------------------	-----------------	-----------------------------


LAST MODIFIED DATE :
9-24-2007_9:40

SHEET **5** OF **15**

PCI SLOT 0 (R/A)

IDSEL AD16
 - Required Interrupt Routing
 SLOT : BRIDGE
 INTA -> INTA
 INTB -> INTB
 INTC -> INTC
 INTD -> INTD
 - PCI Clock PCI_CLK0
 - PCI Arbitration PCI_GNT#1/PCI_REQ#1





TITLE :
PCI SLOT 0

SIZE C	DRAWING NUMBER : 60E204A_SCO01_01	Version: 1.0	DESIGNER : PHILIP LAUZON
LAST MODIFIED DATE : 9-24-2007_9:40		SHEET 6 OF 15	


PCI SLOT 1 (Vertical)

IDSEL AD17
 - Required Interrupt Routing
 SLOT : BRIDGE
 INTA -> INTB
 INTB -> INTC
 INTC -> INTD
 INTD -> INTA

 - PCI Clock PCI_CLK1

 - PCI Arbitration PCI_GNT#2/PCI_REQ#2





TITLE :
PCI SLOT 1

SIZE	DRAWING NUMBER :	Version:	DESIGNER :
C	60E204A_SC001_01	1.0	PHILIP LAUZON

LAST MODIFIED DATE : 9-24-2007_9:40

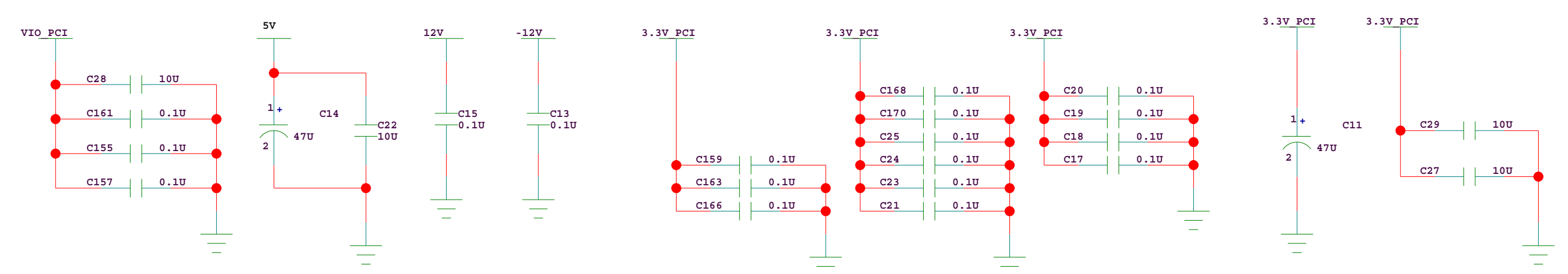
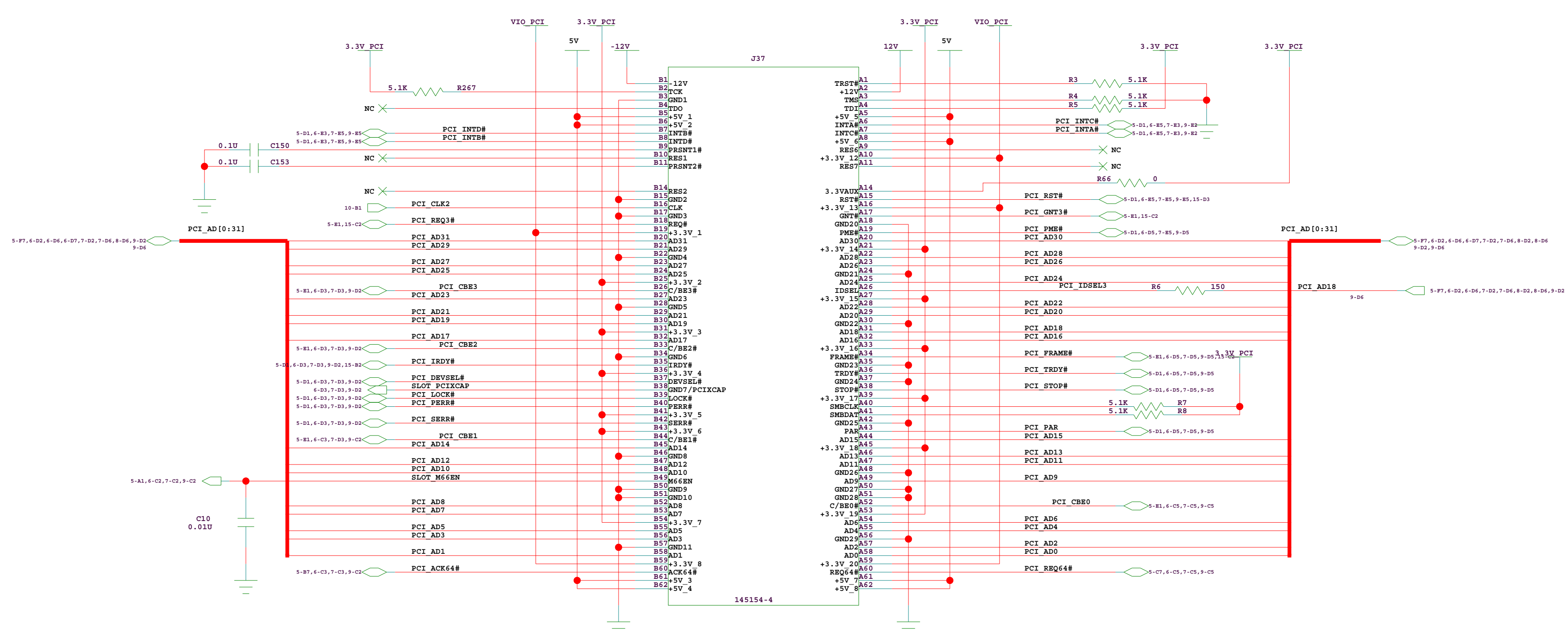
SHEET 7 OF 15


PCI SLOT 3 (Vertical)

IDSEL AD18
 - Required Interrupt Routing
 SLOT : BRIDGE
 INTA -> INTC
 INTB -> INTD
 INTC -> INTA
 INTD -> INTB

 - PCI Clock PCI_CLK2

 - PCI Arbitration PCI_GNT#3/PCI_REQ#3



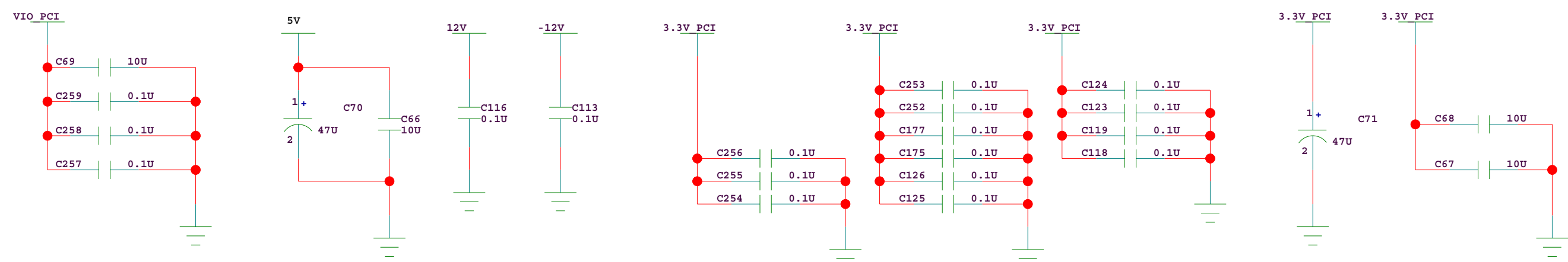
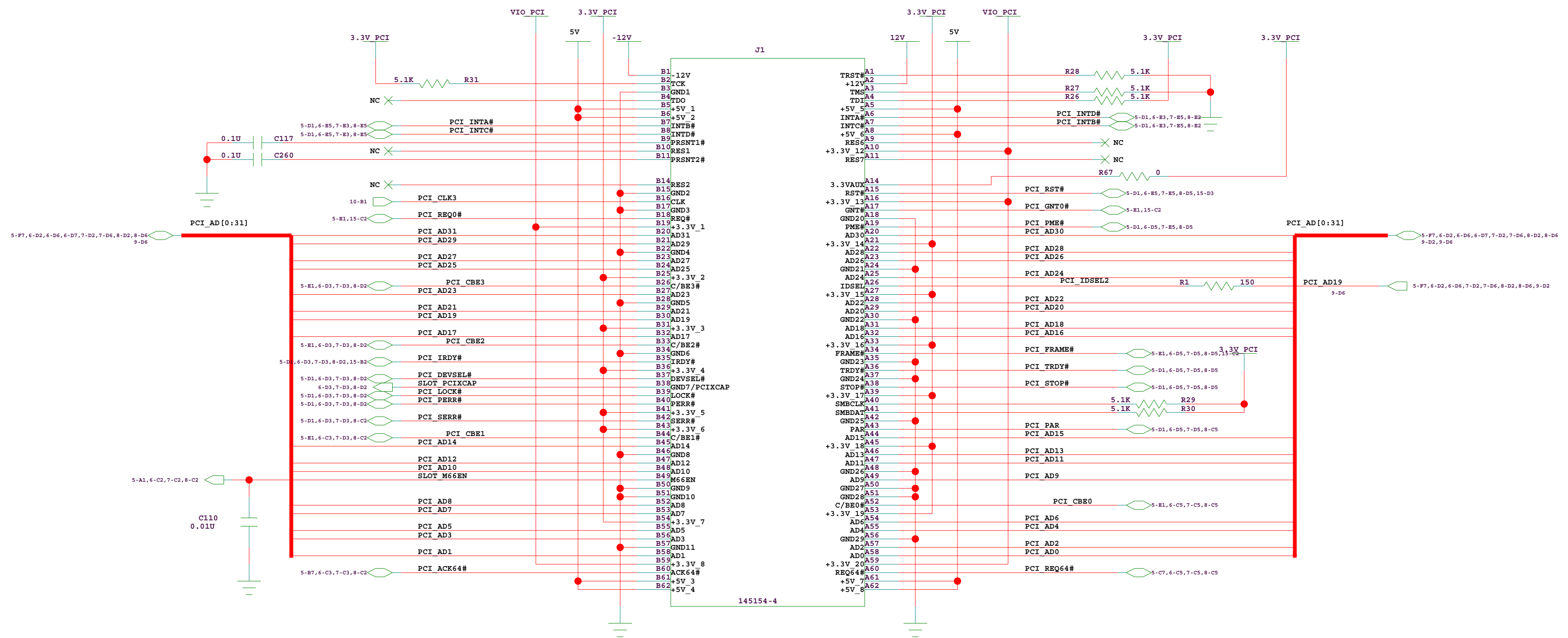


TITLE : PCI SLOT 3			
SIZE C	DRAWING NUMBER : 60E204A_SCO01_01	Version: 1.0	DESIGNER : PHILIP LAUZON
LAST MODIFIED DATE : 9-24-2007_9:40		SHEET 8 OF 15	

PCI SLOT 2 (Vertical)

IDSEL AD19

- Required Interrupt Routing
- SLOT : BRIDGE
- INTA -> INTD
- INTB -> INTA
- INTC -> INTB
- INTD -> INTC
- PCI Clock PCI_CLK3
- PCI Arbitration PCI_GNT#0/PCI_REQ#0



TUNDRA

TITLE :
PCI SLOT 2

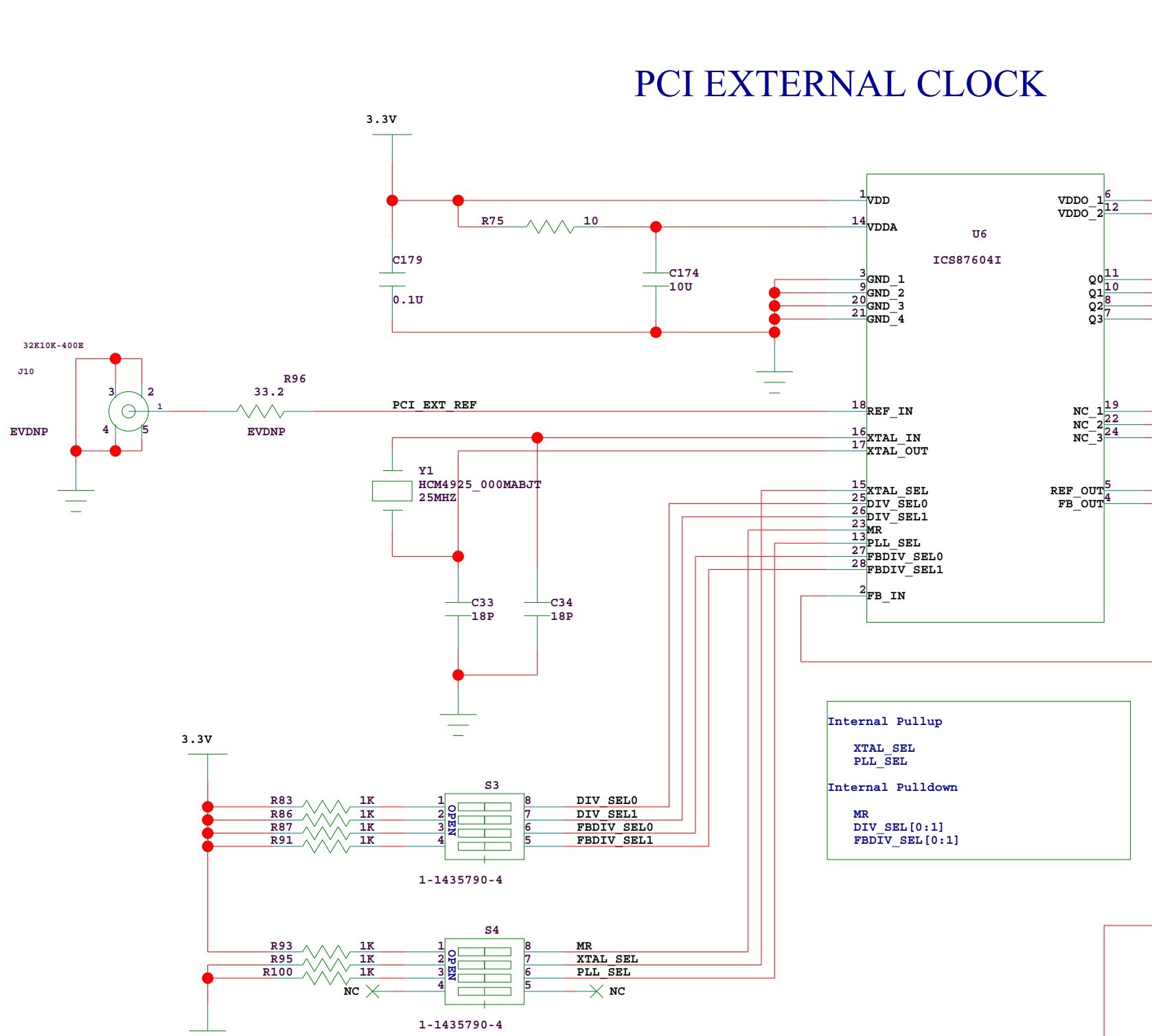
SIZE C	DRAWING NUMBER : 60E204A_SC001_01	Version: 1.0	DESIGNER : PHILIP LAUZON
------------------	--------------------------------------	-----------------	-----------------------------

LAST MODIFIED DATE :
9-24-2007_9:40

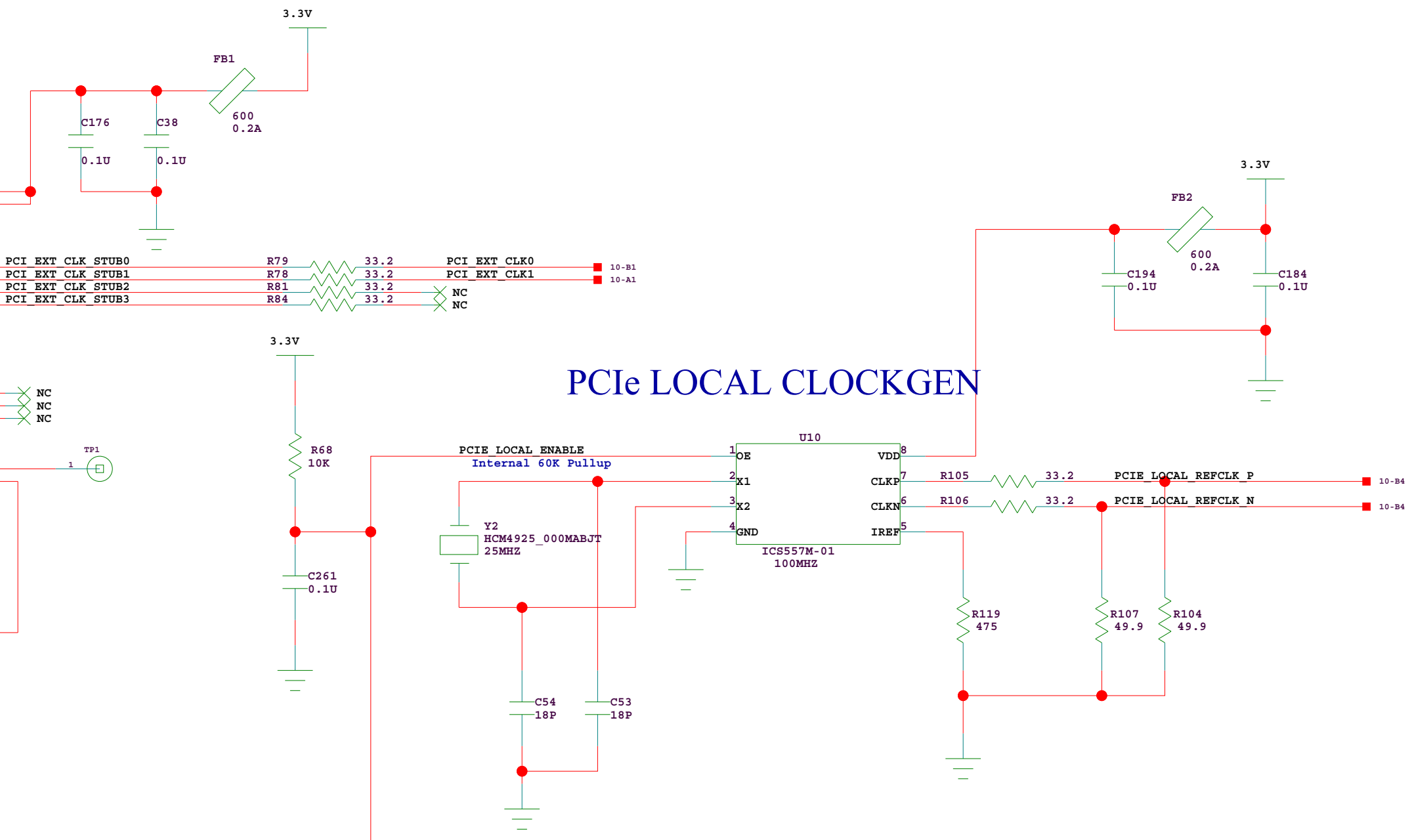
SHEET 9 OF 15

CLOCK DISTRIBUTION

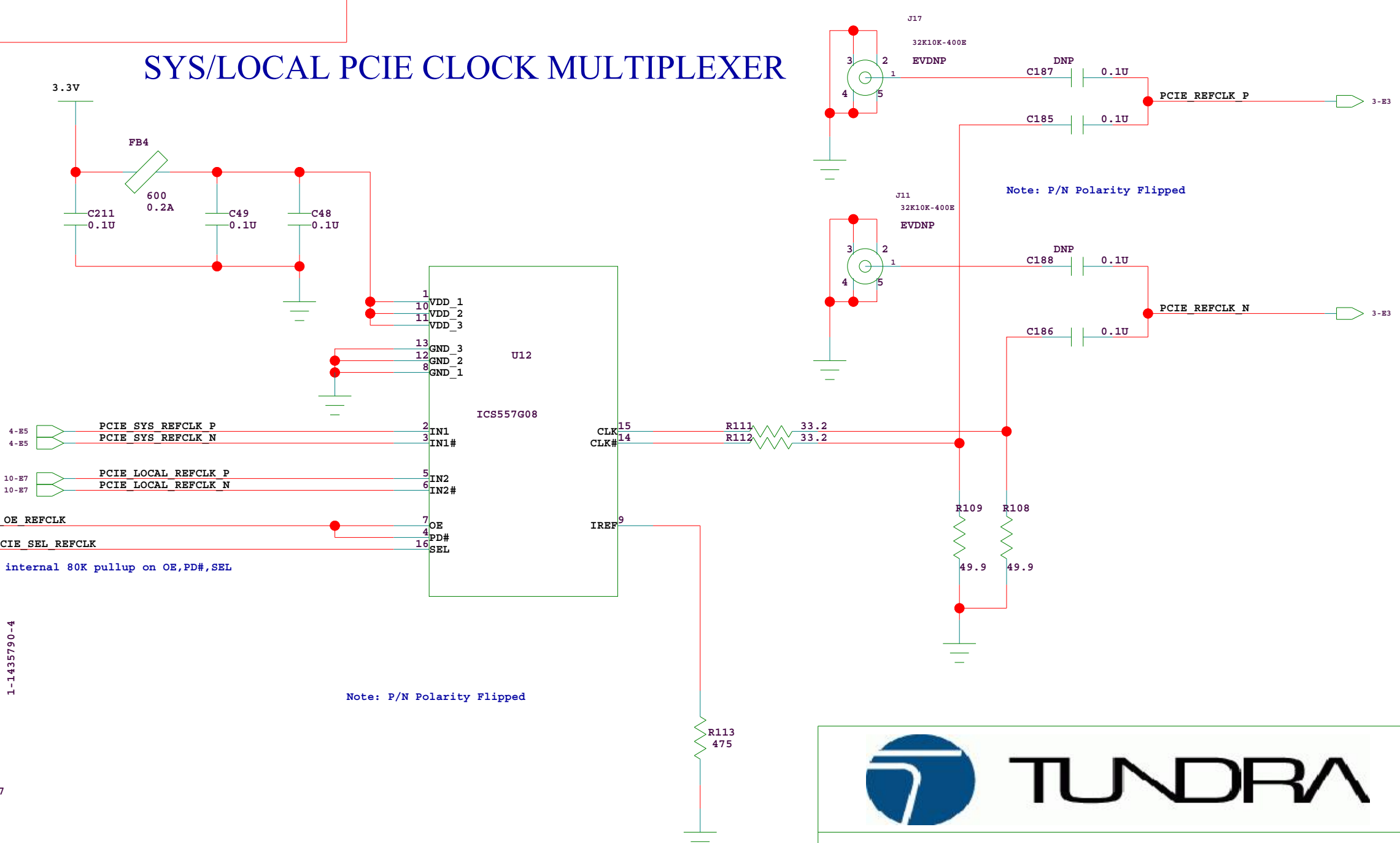
PCI EXTERNAL CLOCK



PCIe LOCAL CLOCKGEN



SYS/LOCAL PCIe CLOCK MULTIPLEXER



Frequency Select (ICS87604I)

FBDIV_SEL[0:1]	DIV_SEL[0:1]	OUTPUT
0:0	0:0	100Mhz
0:0	1:0	50Mhz
0:0	1:1	25Mhz
0:1	0:0	133Mhz
0:1	1:0	66Mhz
0:1	1:1	33Mhz

Place resistors near CY2305

TUNDRA

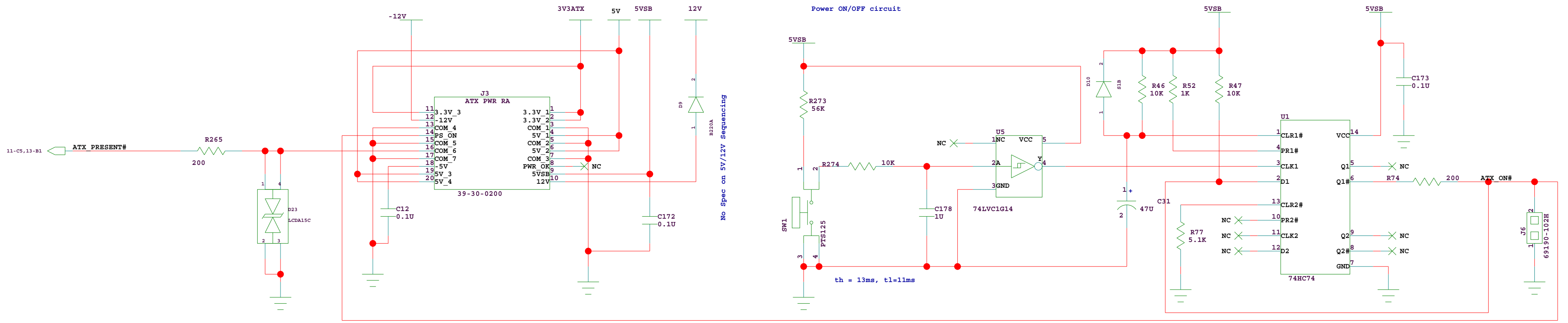
TITLE :
CLOCK DISTRIBUTION

SIZE C	DRAWING NUMBER : 60E204A_SC001_01	Version: 1.0	DESIGNER : PHILIP LAUZON
LAST MODIFIED DATE : 9-24-2007_9:44		SHEET 10 OF 15	

POWER SOURCES

ATX SUPPLY TOGGLE

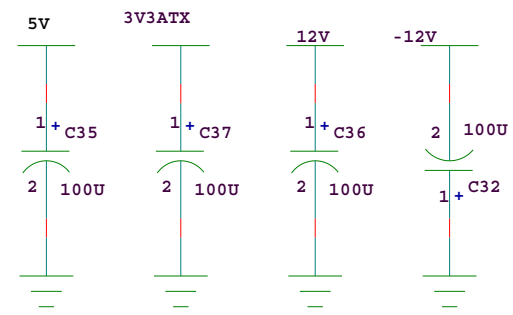
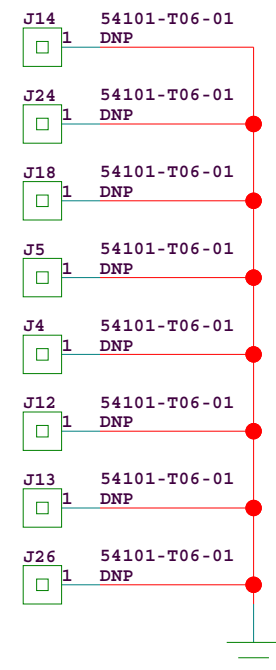
ATX



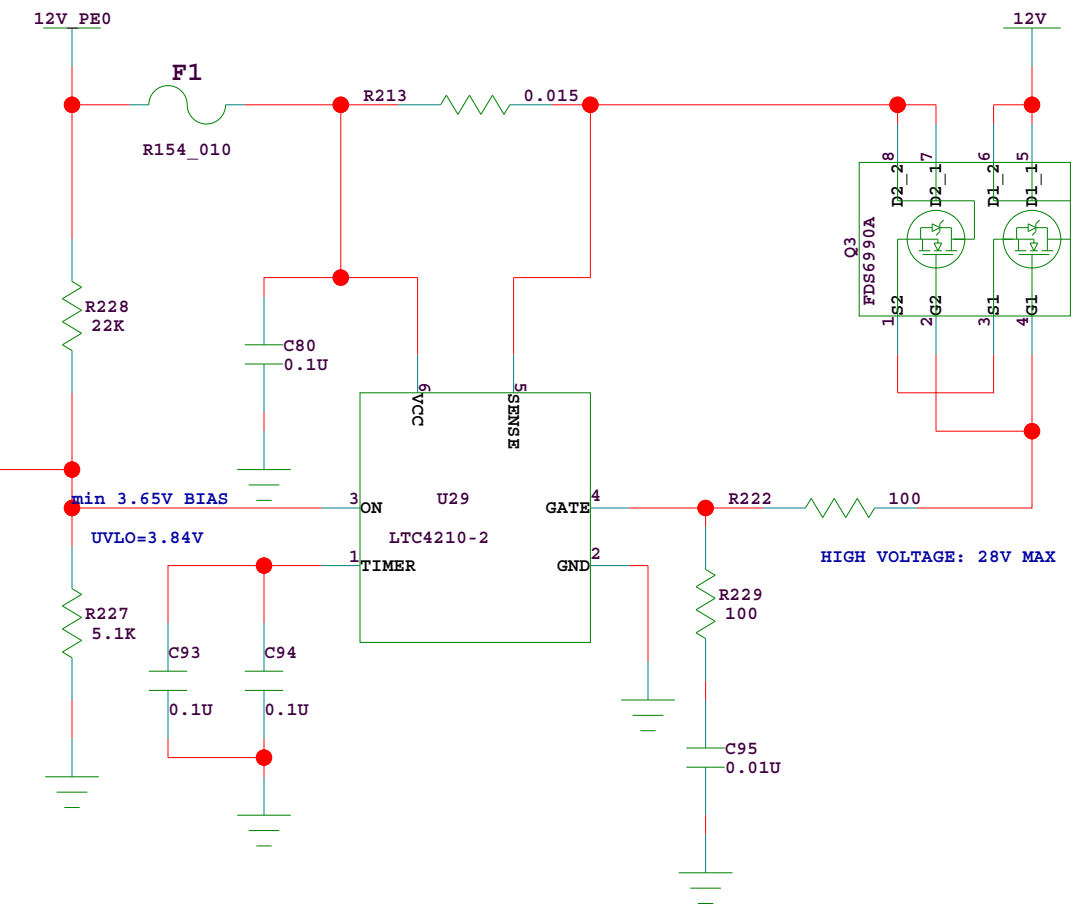
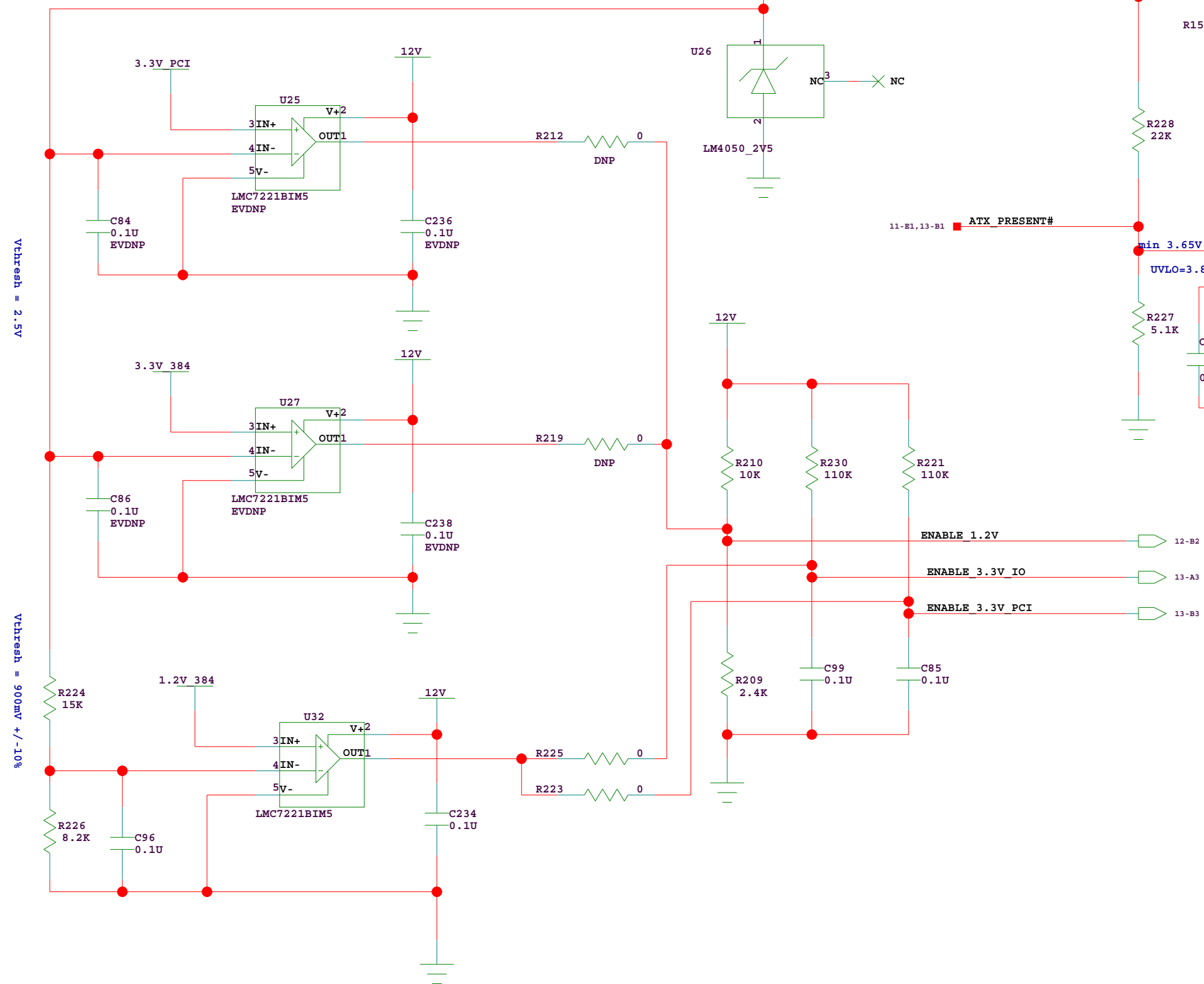
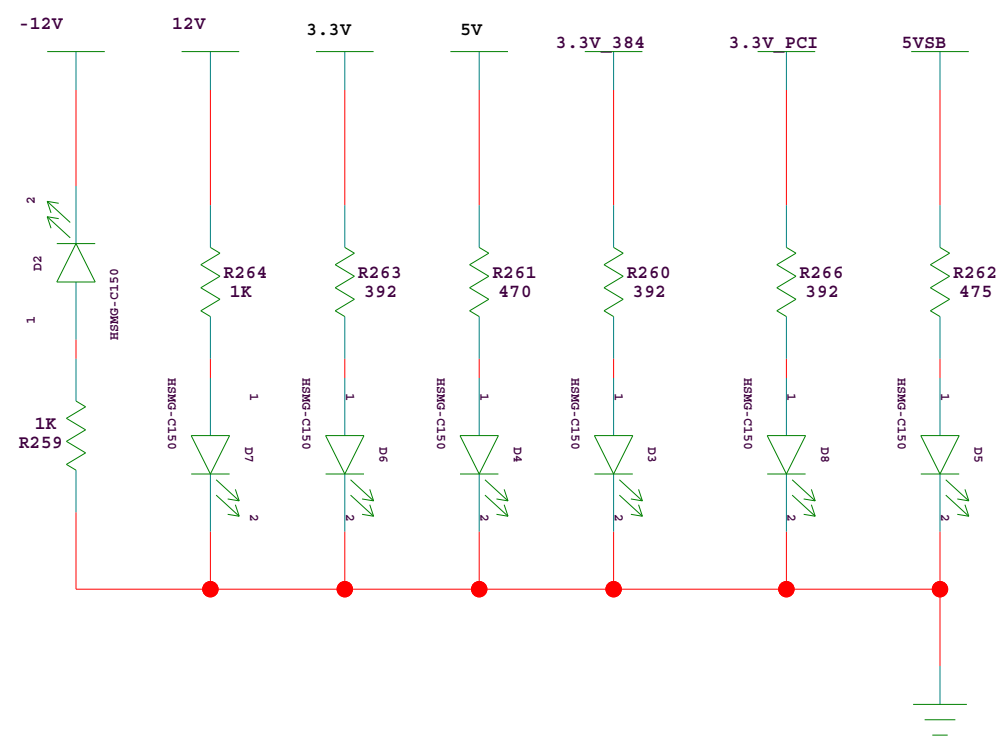
SYS SUPPLY SWITCH

BOARD SEQUENCING

GND TESTPOINTS

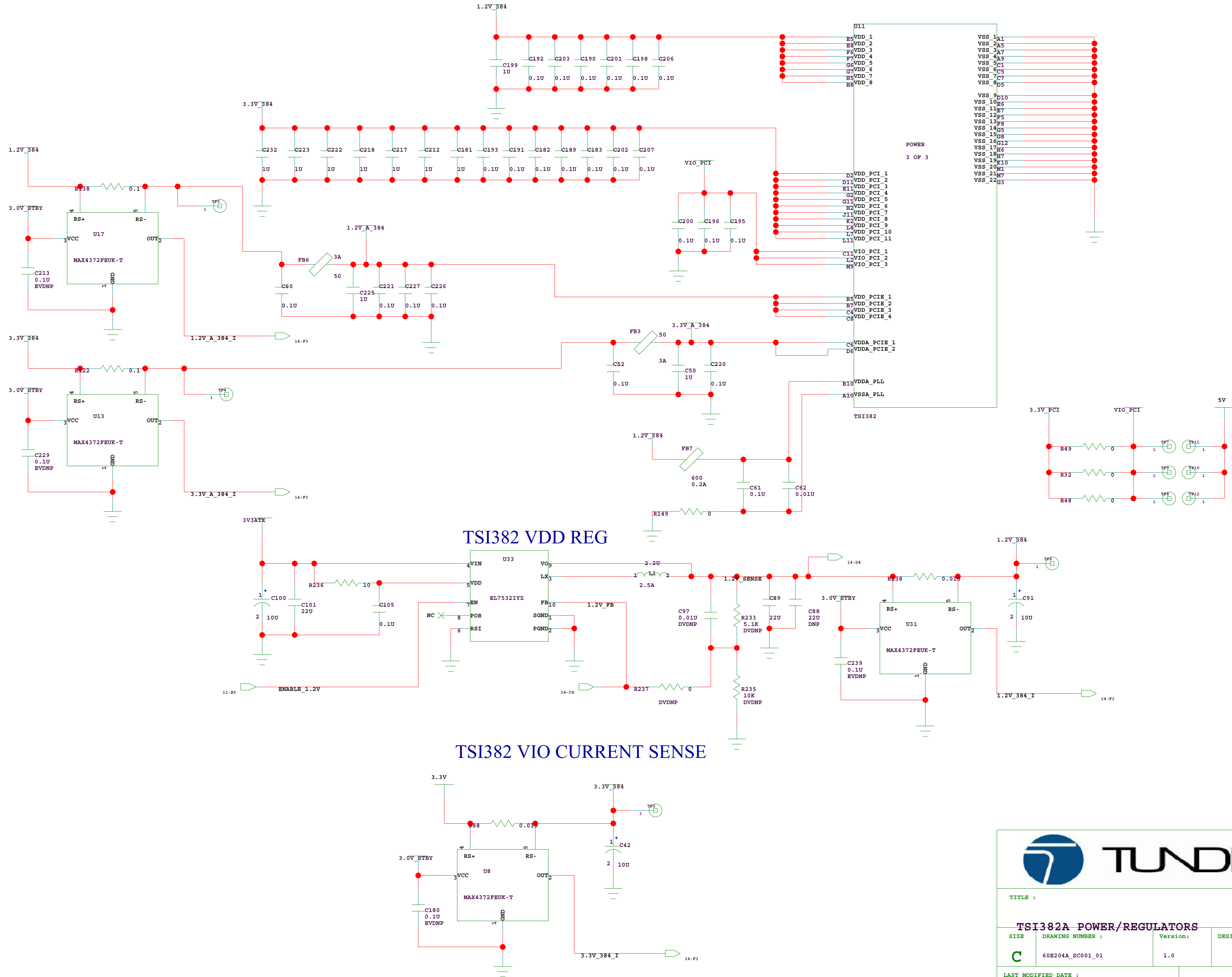


POWER STATUS



TITLE : POWER SOURCES			
SIZE : C	DRAWING NUMBER : 60E204A_SC001_01	Version : 1.0	DESIGNER : PHILIP LAUZON
LAST MODIFIED DATE : 9-24-2007_9:40		SHEET 11 OF 15	

TSI382A POWER/REGULATORS



TSI382 VDD REG

TSI382 VIO CURRENT SENSE

TUNDRA

TITLE :

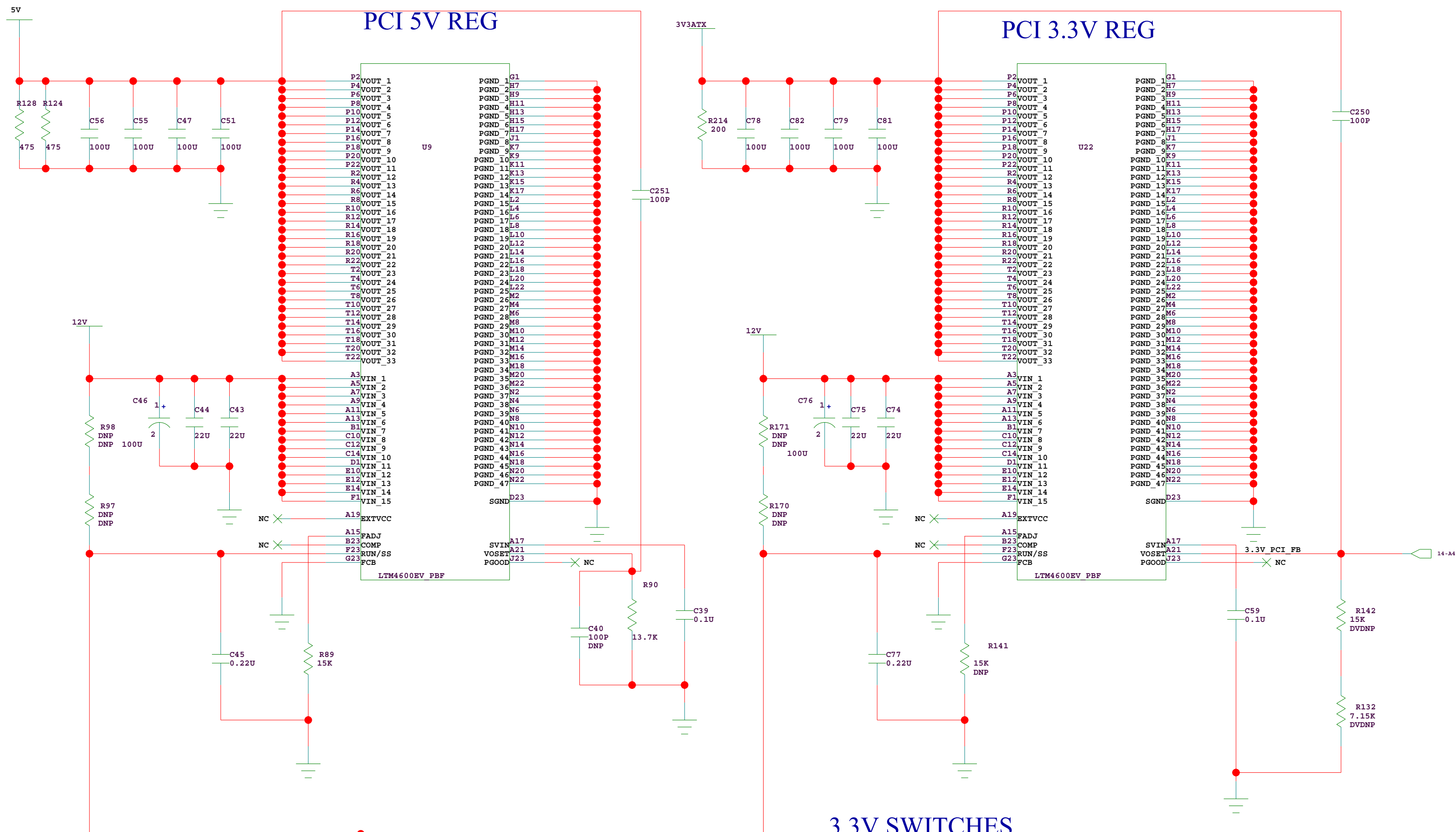
TSI382A POWER/REGULATORS

SIZE	DRAWING NUMBER :	Version:	DESIGNER :
C	60E204A_SC001_01	1.0	PHILIP LAUZON

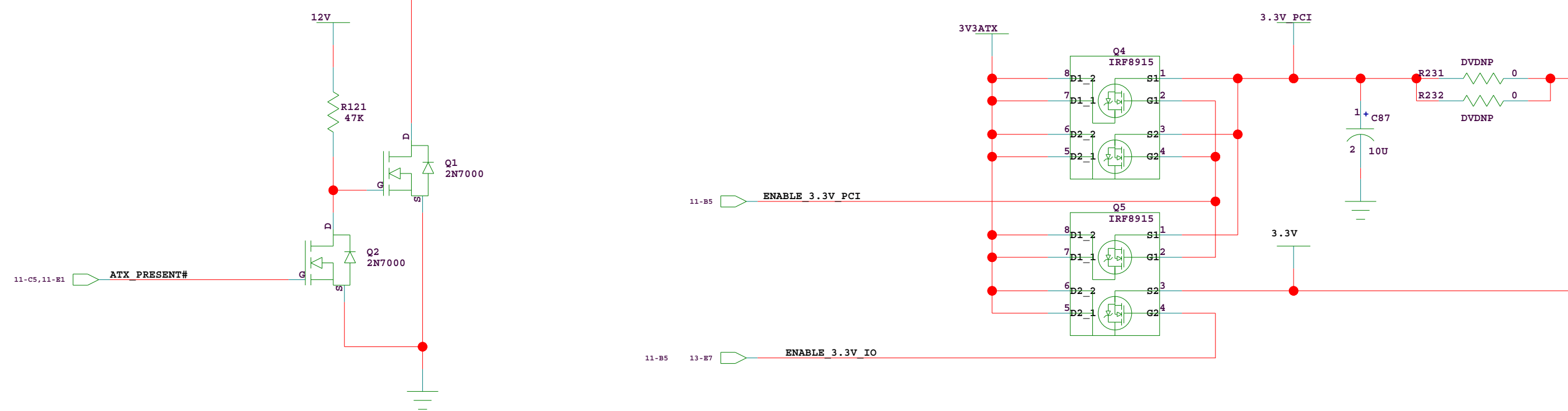
LAST MODIFIED DATE : 9-24-2007_9:40

SHEET 12 OF 15

PCI POWER REGULATORS



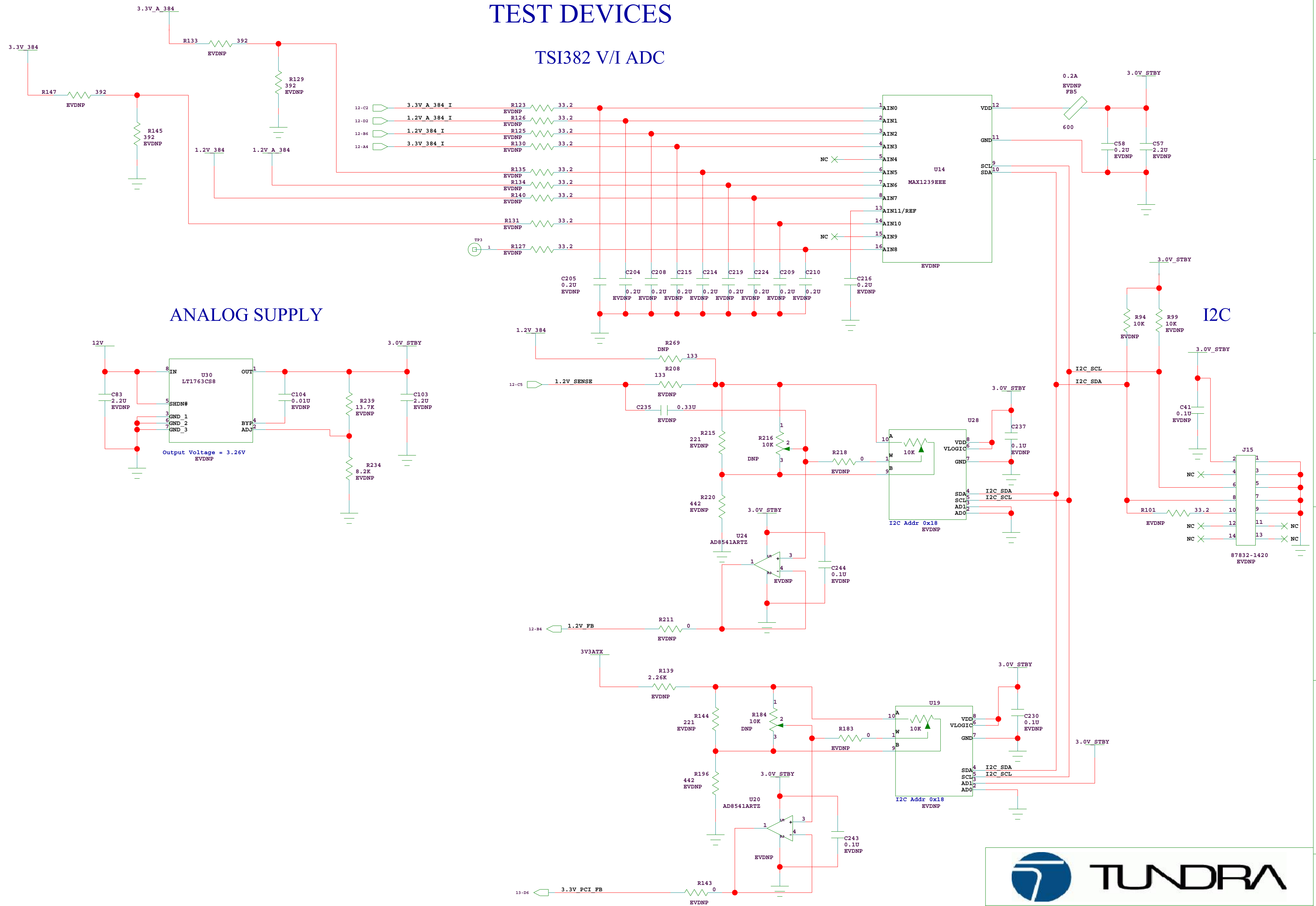
3.3V SWITCHES



TITLE : PCI POWER REGULATORS			
SIZE C	DRAWING NUMBER : 60E204A_SC001_01	Version: 1.0	DESIGNER : PHILIP LAUZON
LAST MODIFIED DATE : 9-24-2007_9:40		SHEET 13 OF 15	

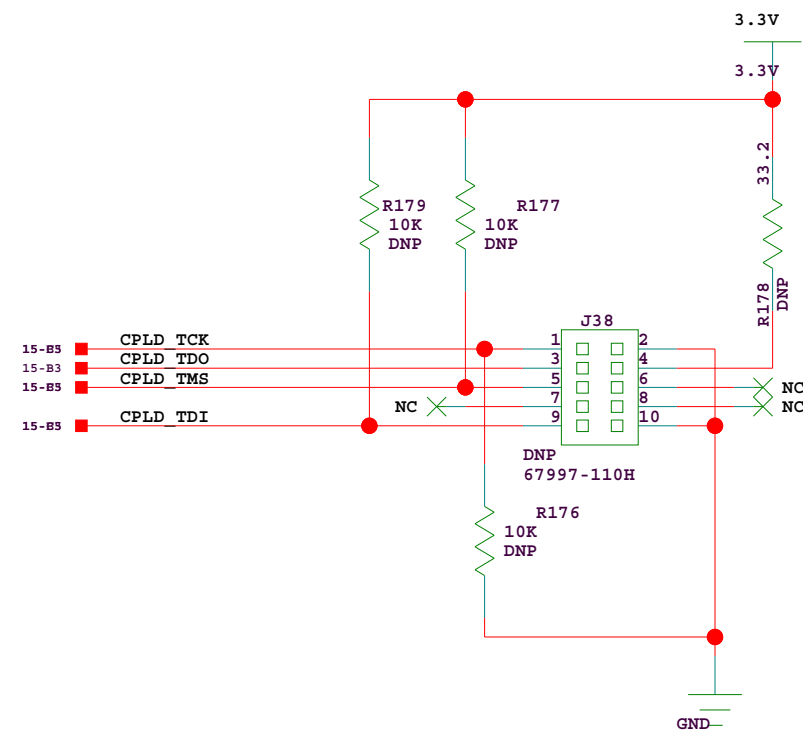
TEST DEVICES

TSI382 V/I ADC

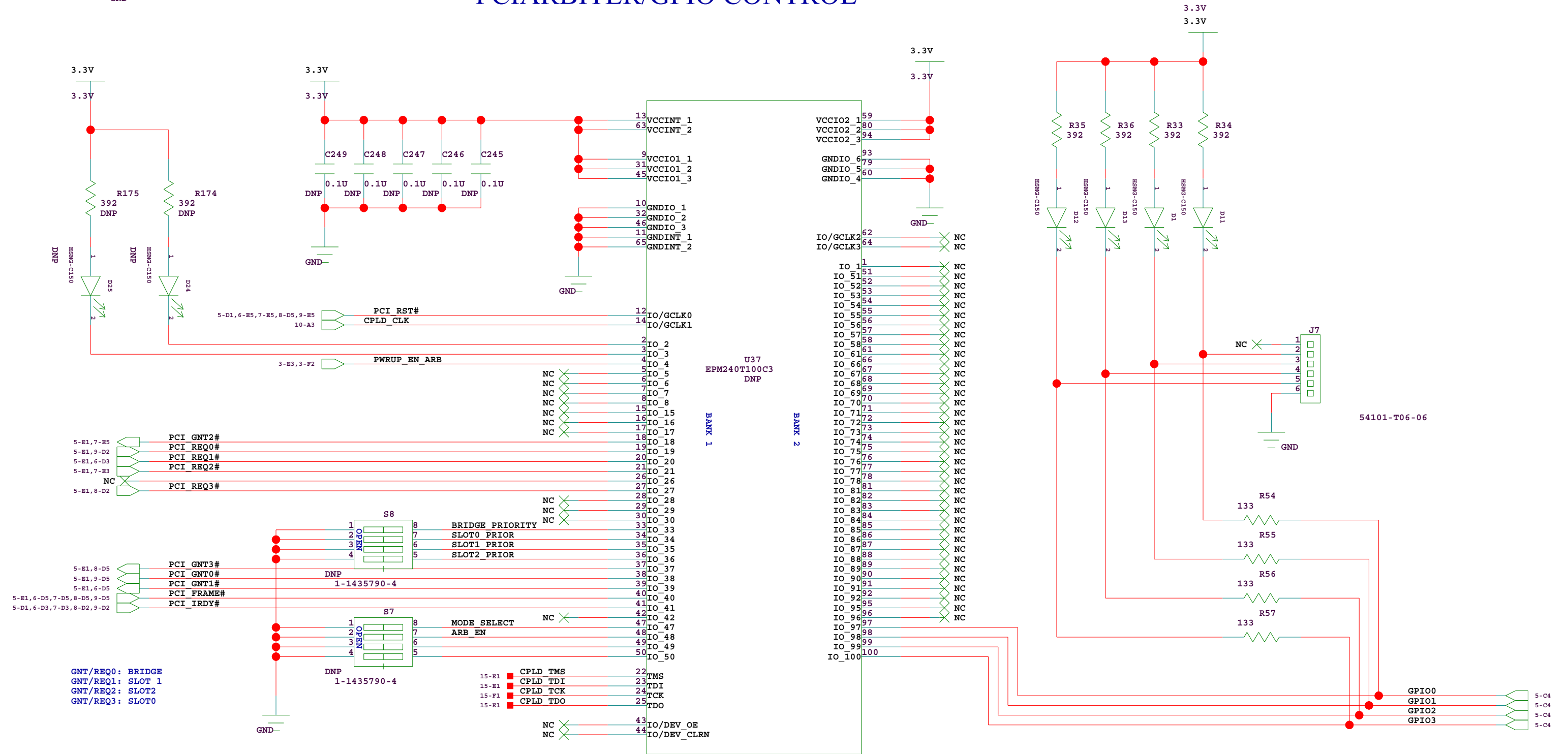


TITLE :			
TEST DEVICES			
SIZE	DRAWING NUMBER :	Version:	DESIGNER :
C	60E204A_SCO01_01	1.0	PHILIP LAUZON
LAST MODIFIED DATE :			SHEET
10-3-2007_16:33			14 OF 15

TEST DEVICES CONT'D



PCIARBITER/GPIO CONTROL



TITLE :			
TEST DEVICES CONT'D			
SIZE	DRAWING NUMBER :	Version:	DESIGNER :
C	60E204A_SCO01_01	1.0	PHILIP LAUZON
LAST MODIFIED DATE :		SHEET	
9-24-2007_9:40		15 OF 15	