

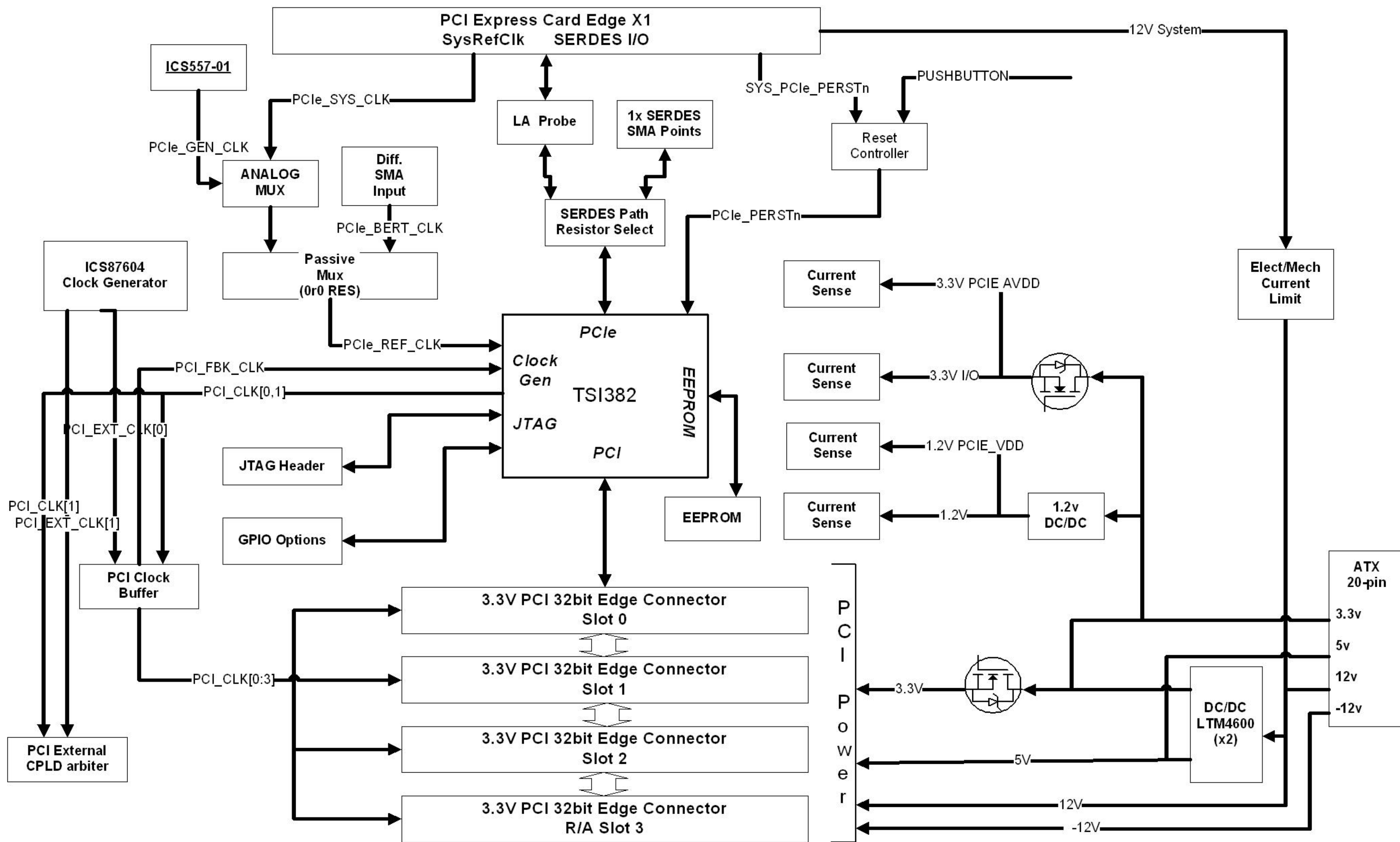
# Tsi382A (LQFP) Evaluation Board Schematics

## TABLE OF CONTENTS

PAGE 01 - Table of Contents  
 PAGE 02 - Block Diagram  
 PAGE 03 - Tsi382A PCIe/Misc  
 PAGE 04 - PCIe Connectors  
 PAGE 05 - Tsi382A PCI Interface  
 PAGE 06 - PCI Slot 0 (R/A Top)  
 PAGE 07 - PCI Slot 1 (Vertical)  
 PAGE 08 - PCI Slot 3 (Vertical)  
 PAGE 09 - PCI Slot 2 (Vertical)  
 PAGE 10 - Clock Distribution  
 PAGE 11 - Power Sources  
 PAGE 12 - Tsi382A Power/Regulators  
 PAGE 13 - PCI Regulators  
 PAGE 14 - Test Devices  
 PAGE 15 - Test Devices Cont'd

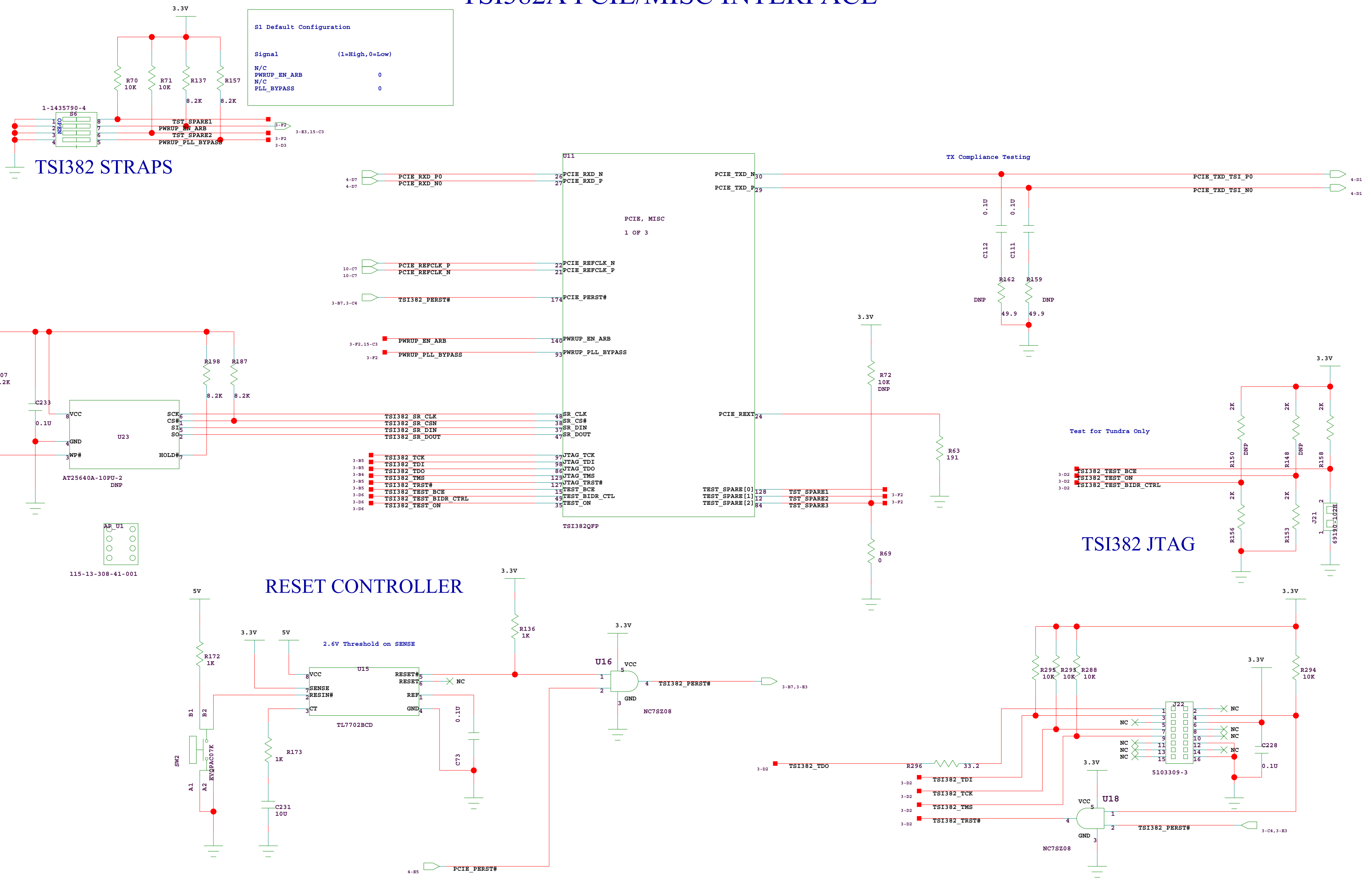
TITLE :			
SIZE	DRAWING NUMBER :	Version:	DESIGNER :
C	60E204B-80001-01	1.0	PHILIP LAUZON
LAST MODIFIED DATE :		SHEET OF	
6-12-2008_15:42		1 15	

# BLOCK DIAGRAM



TITLE : <b>BLOCK DIAGRAM</b>			
SIZE <b>C</b>	DRAWING NUMBER : 60E204B_SC001_01	Version: 1.0	DESIGNER : PHILIP LAUZON
LAST MODIFIED DATE : 6-12-2008_15:42		SHEET 2 OF 15	

# TSI382A PCIE/MISC INTERFACE

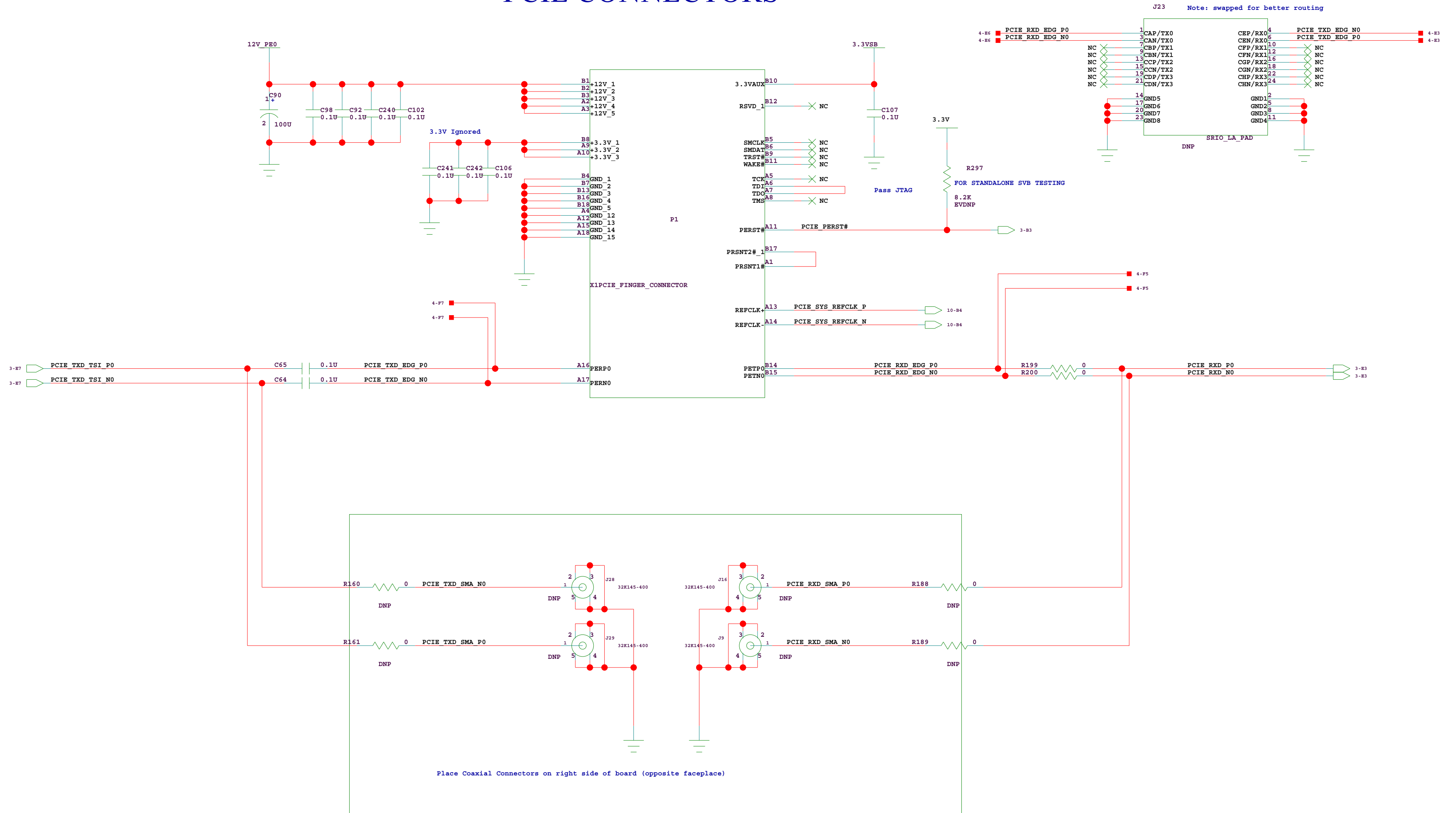


## RESET CONTROLLER

## TSI382 JTAG

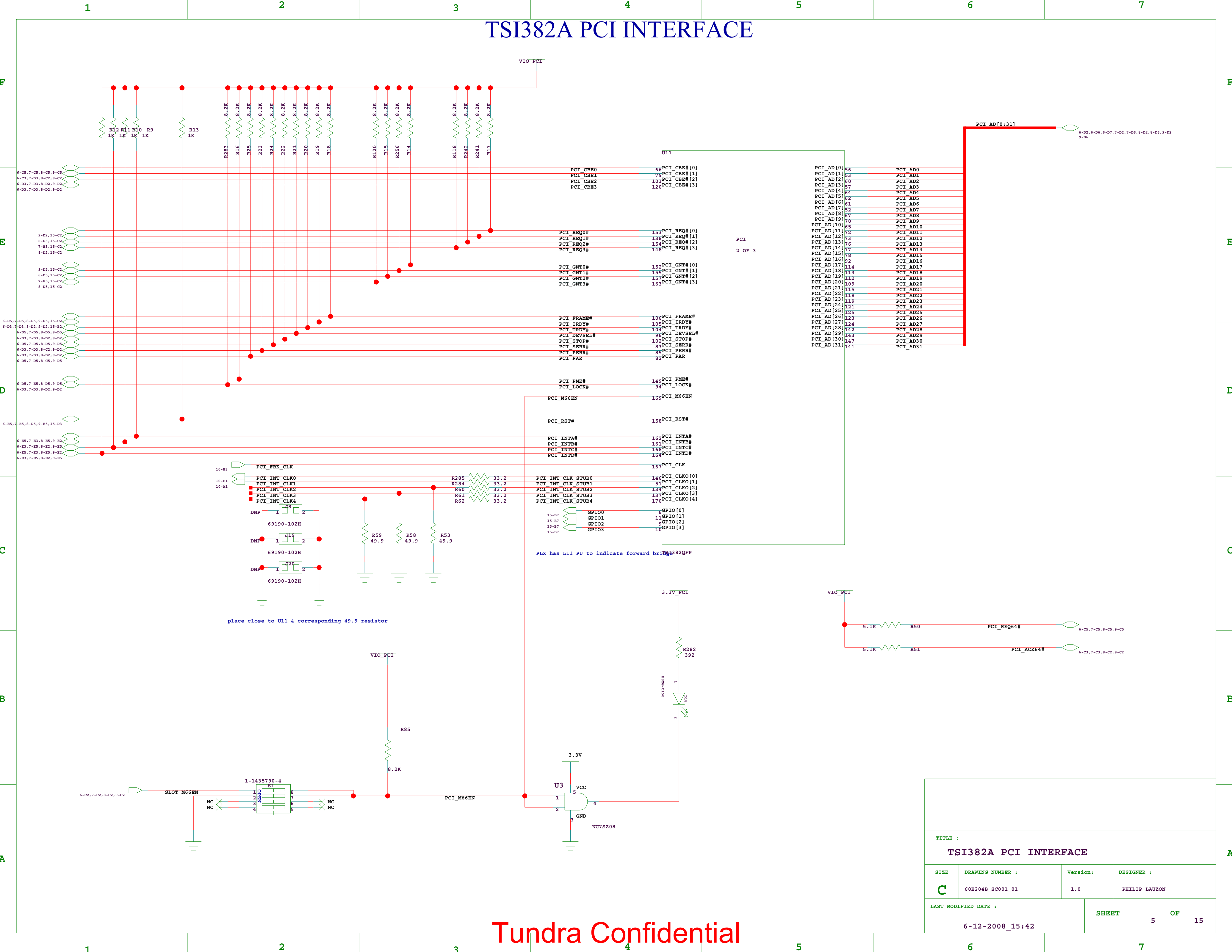
TITLE :			
TSI382A PCIE/MISC			
SIZE	DRAWING NUMBER :	Version:	DESIGNER :
C	60E204B_SC001_01	1.0	PHILIP LAUZON
LAST MODIFIED DATE :		SHEET	
6-12-2008_15:42		3 OF 15	

# PCIE CONNECTORS



TITLE :			
PCIE CONNECTORS			
SIZE	DRAWING NUMBER :	Version:	DESIGNER :
C	60E204B_SCO01_01	1.0	PHILIP LAUZON
LAST MODIFIED DATE :			SHEET
6-12-2008_15:42			4 OF 15

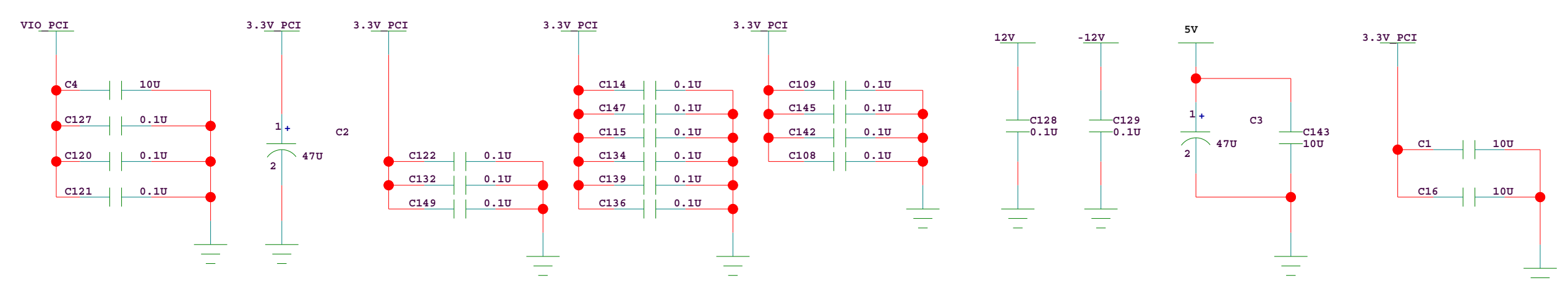
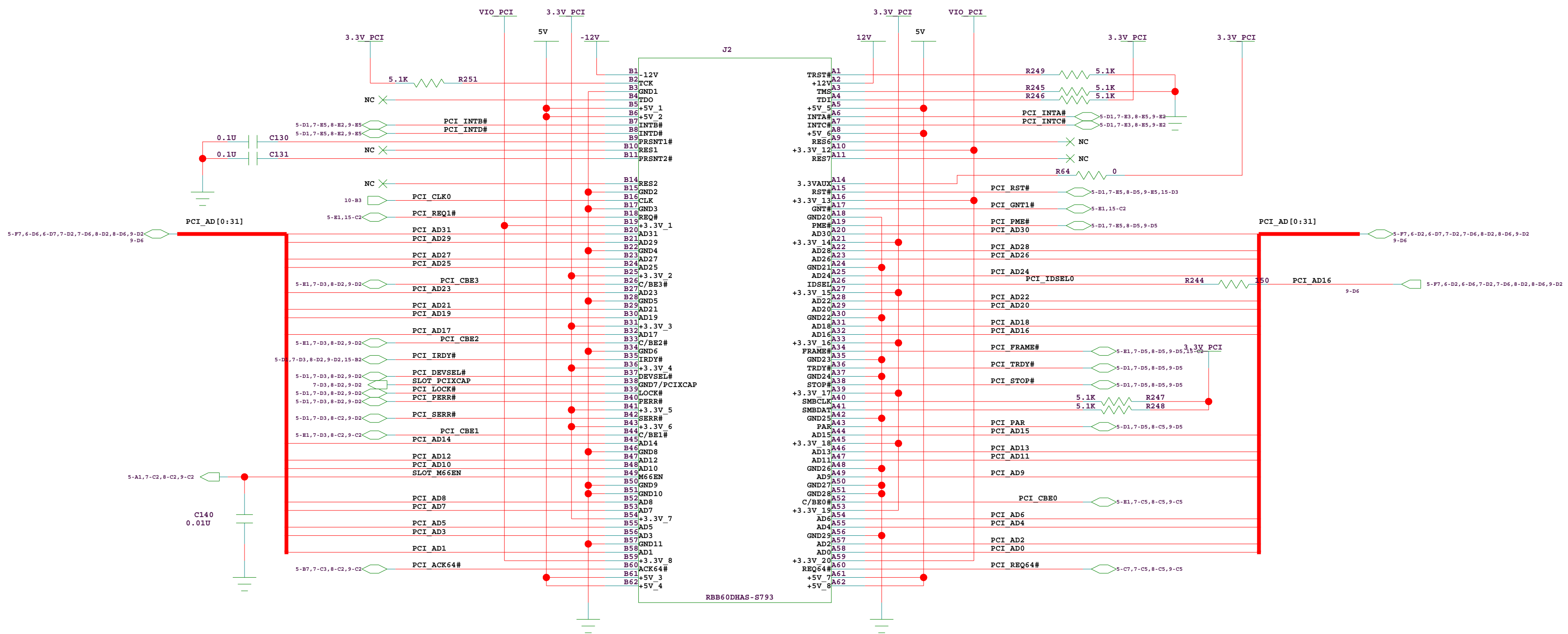
# TSI382A PCI INTERFACE



TITLE :			
TSI382A PCI INTERFACE			
SIZE	DRAWING NUMBER :	Version:	DESIGNER :
C	60E204B_SC001_01	1.0	PHILIP LAUZON
LAST MODIFIED DATE :			SHEET
6-12-2008_15:42			5 OF 15

# PCI SLOT 0 (R/A)

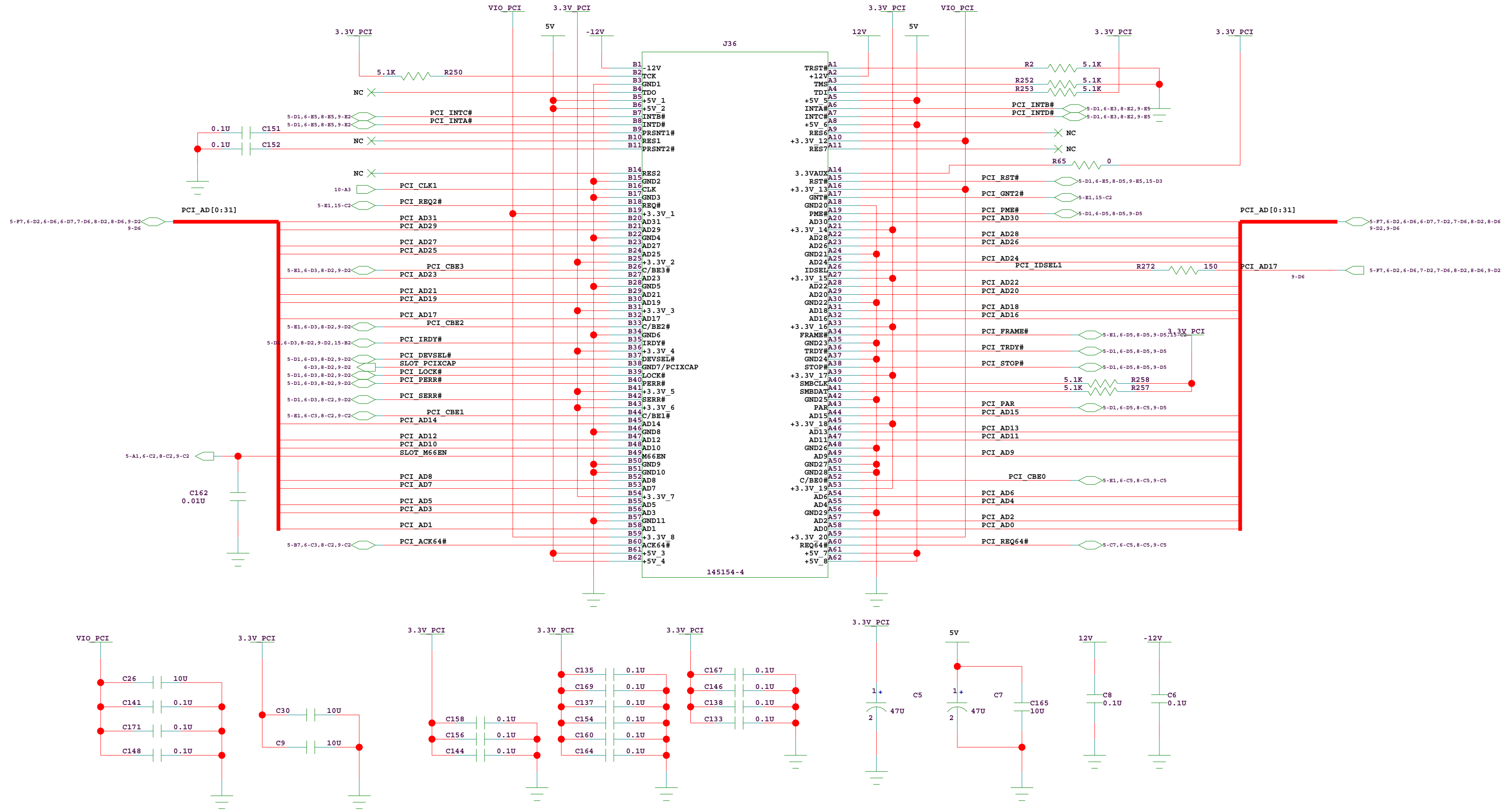
IDSEL AD16  
 - Required Interrupt Routing  
 SLOT : BRIDGE  
 INTA -> INTA  
 INTB -> INTB  
 INTC -> INTC  
 INTD -> INTD  
 - PCI Clock PCI\_CLK0  
 - PCI Arbitration PCI\_GNT#1/PCI\_REQ#1



TITLE :			
PCI SLOT 0			
SIZE	DRAWING NUMBER :	Version:	DESIGNER :
C	60E204B_SCO01_01	1.0	PHILIP LAUZON
LAST MODIFIED DATE :			SHEET
6-12-2008_15:42			6 OF 15

# PCI SLOT 1 (Vertical)

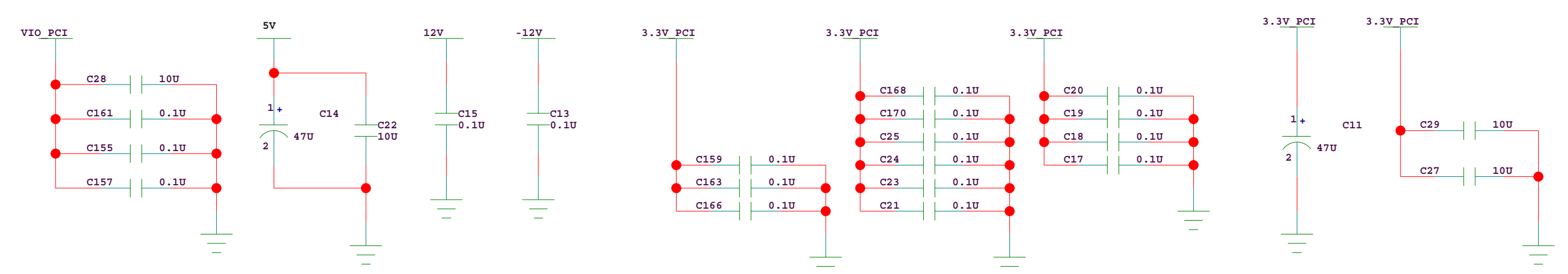
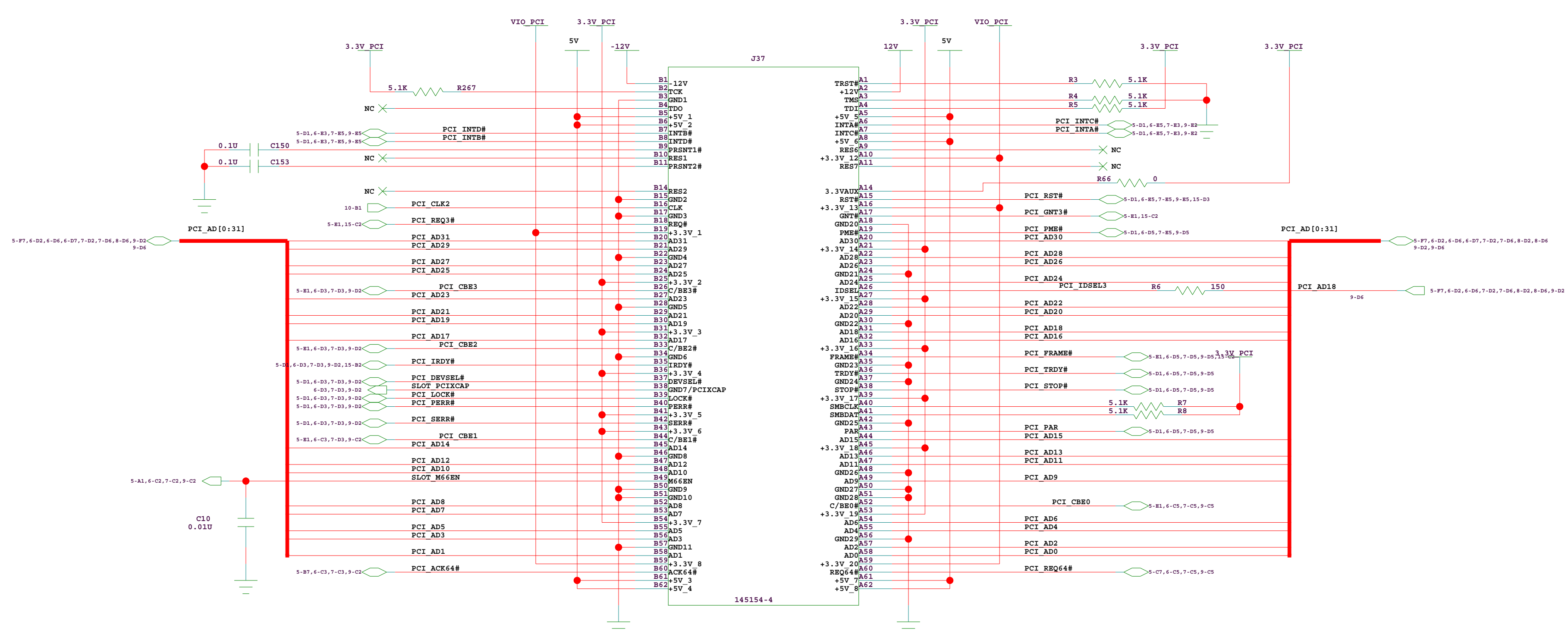
**IDSEL AD17**  
 - Required Interrupt Routing  
 SLOT : BRIDGE  
 INTA -> INTB  
 INTB -> INTC  
 INTC -> INTD  
 INTD -> INTA  
  
 - PCI Clock PCI\_CLK1  
  
 - PCI Arbitration PCI\_GNT#2/PCI\_REQ#2



TITLE :			
PCI SLOT 1			
SIZE	DRAWING NUMBER :	Version:	DESIGNER :
C	60E204B_SCO01_01	1.0	PHILIP LAUZON
LAST MODIFIED DATE :			SHEET
6-12-2008_15:42			7 OF 15

# PCI SLOT 3 (Vertical)

**IDSEL AD18**  
 - Required Interrupt Routing  
 SLOT : BRIDGE  
 INTA -> INTC  
 INTB -> INTD  
 INTC -> INTA  
 INTD -> INTB  
 - PCI Clock PCI\_CLK2  
 - PCI Arbitration PCI\_GNT#3/PCI\_REQ#3



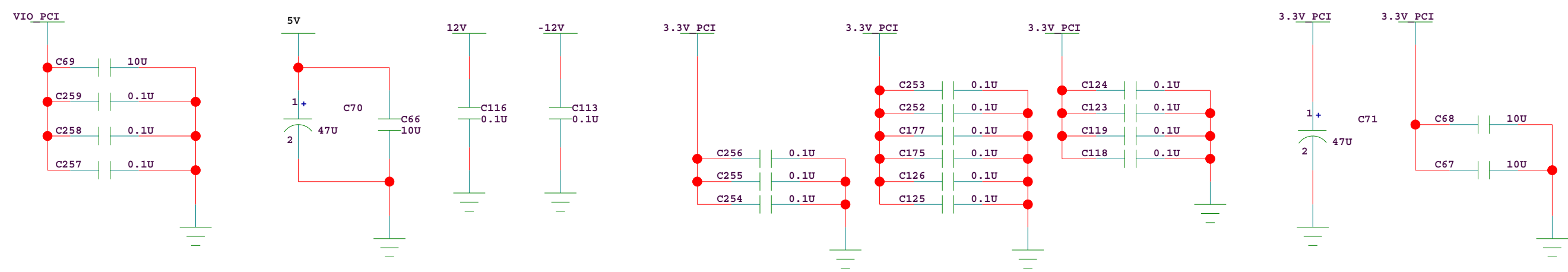
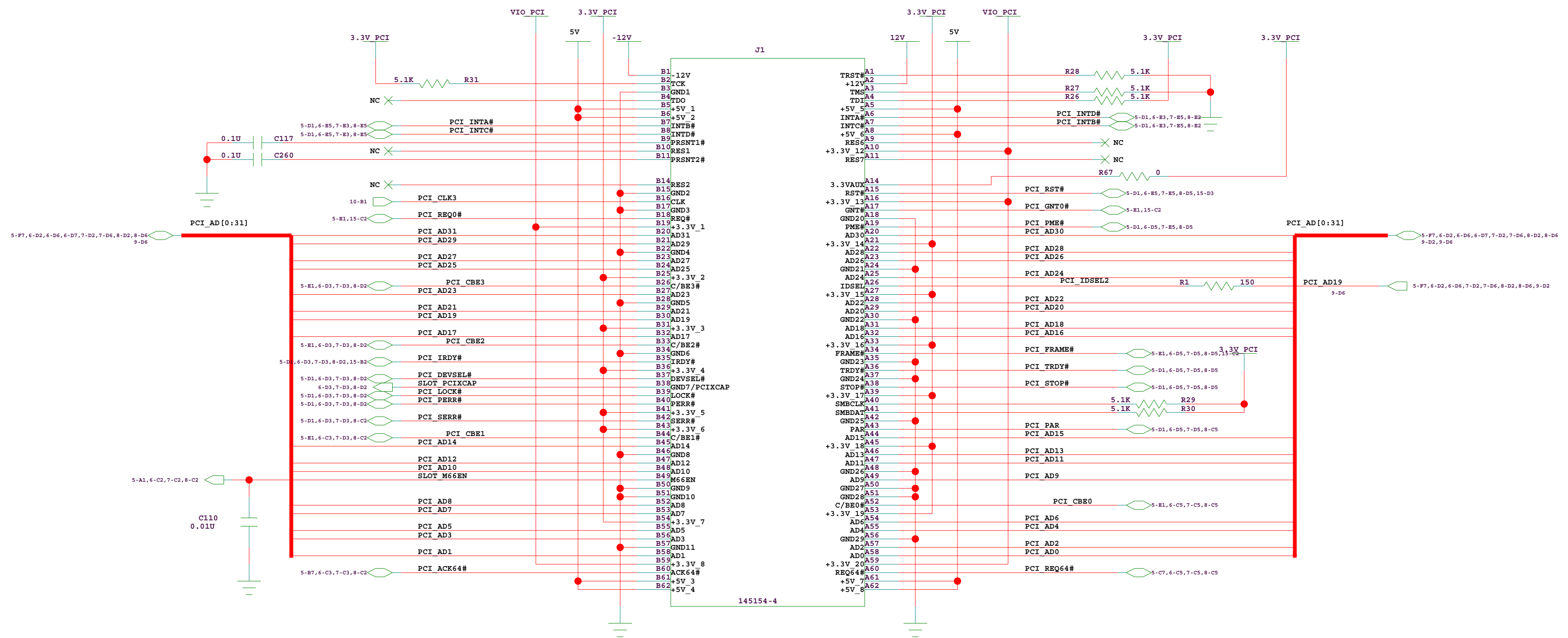
TITLE : <b>PCI SLOT 3</b>			
SIZE <b>C</b>	DRAWING NUMBER : 60E204B_SC001_01	Version: 1.0	DESIGNER : PHILIP LAUZON
LAST MODIFIED DATE : 6-12-2008_15:42		SHEET 8 OF 15	



# PCI SLOT 2 (Vertical)

IDSEL AD19

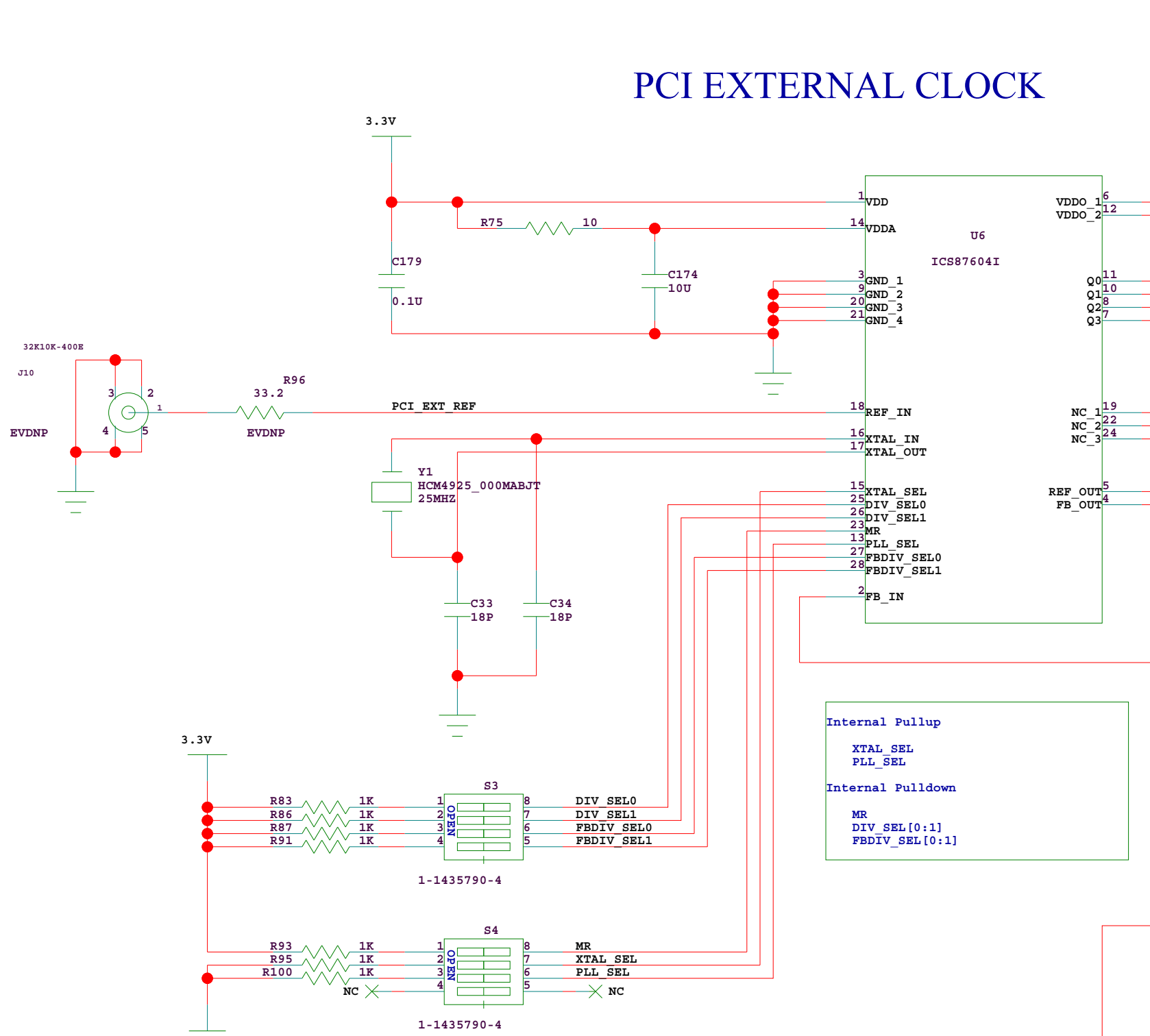
- Required Interrupt Routing  
SLOT : BRIDGE  
INTA -> INTD  
INTB -> INTA  
INTC -> INTB  
INTD -> INTC
- PCI Clock PCI\_CLK3
- PCI Arbitration PCI\_GNT#0/PCI\_REQ#0



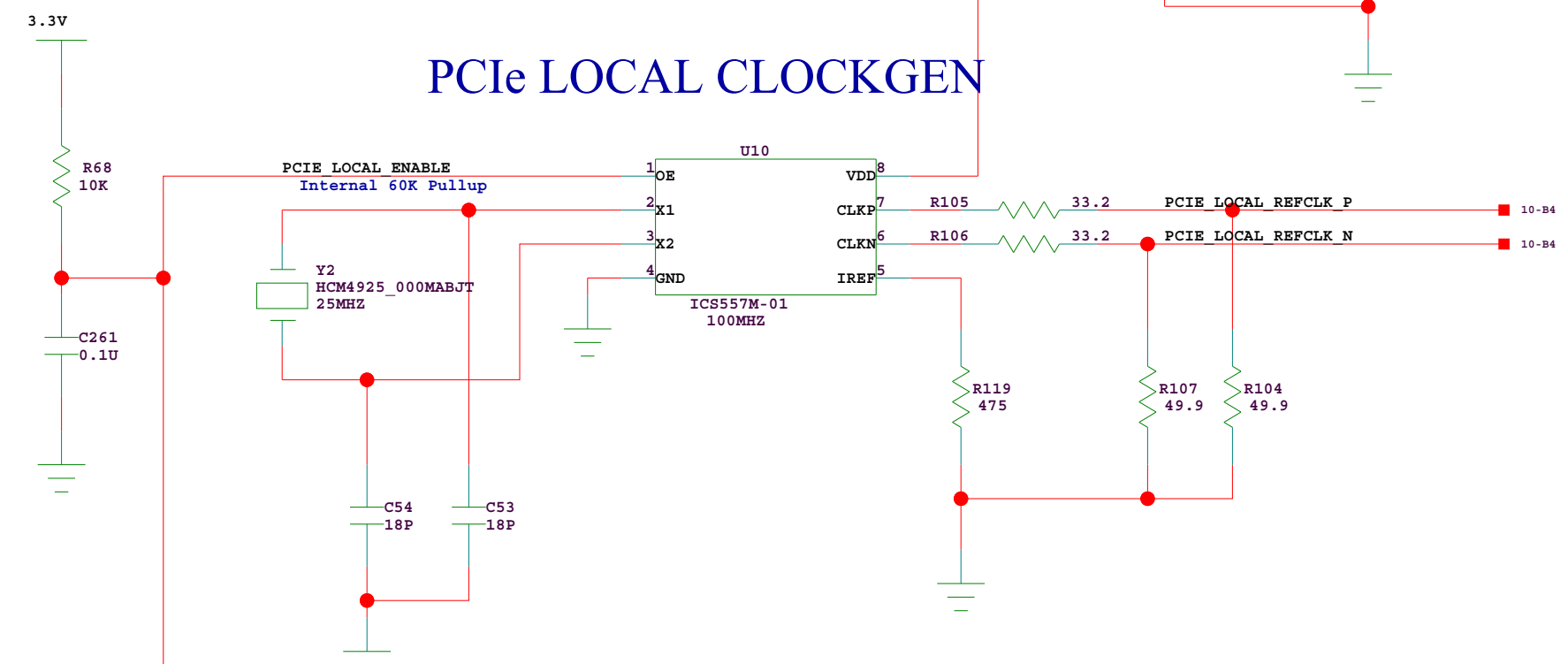
TITLE :			
PCI SLOT 2			
SIZE	DRAWING NUMBER :	Version:	DESIGNER :
C	60E204B_SC001_01	1.0	PHILIP LAUZON
LAST MODIFIED DATE :			SHEET
6-12-2008_15:42			9 OF 15

# CLOCK DISTRIBUTION

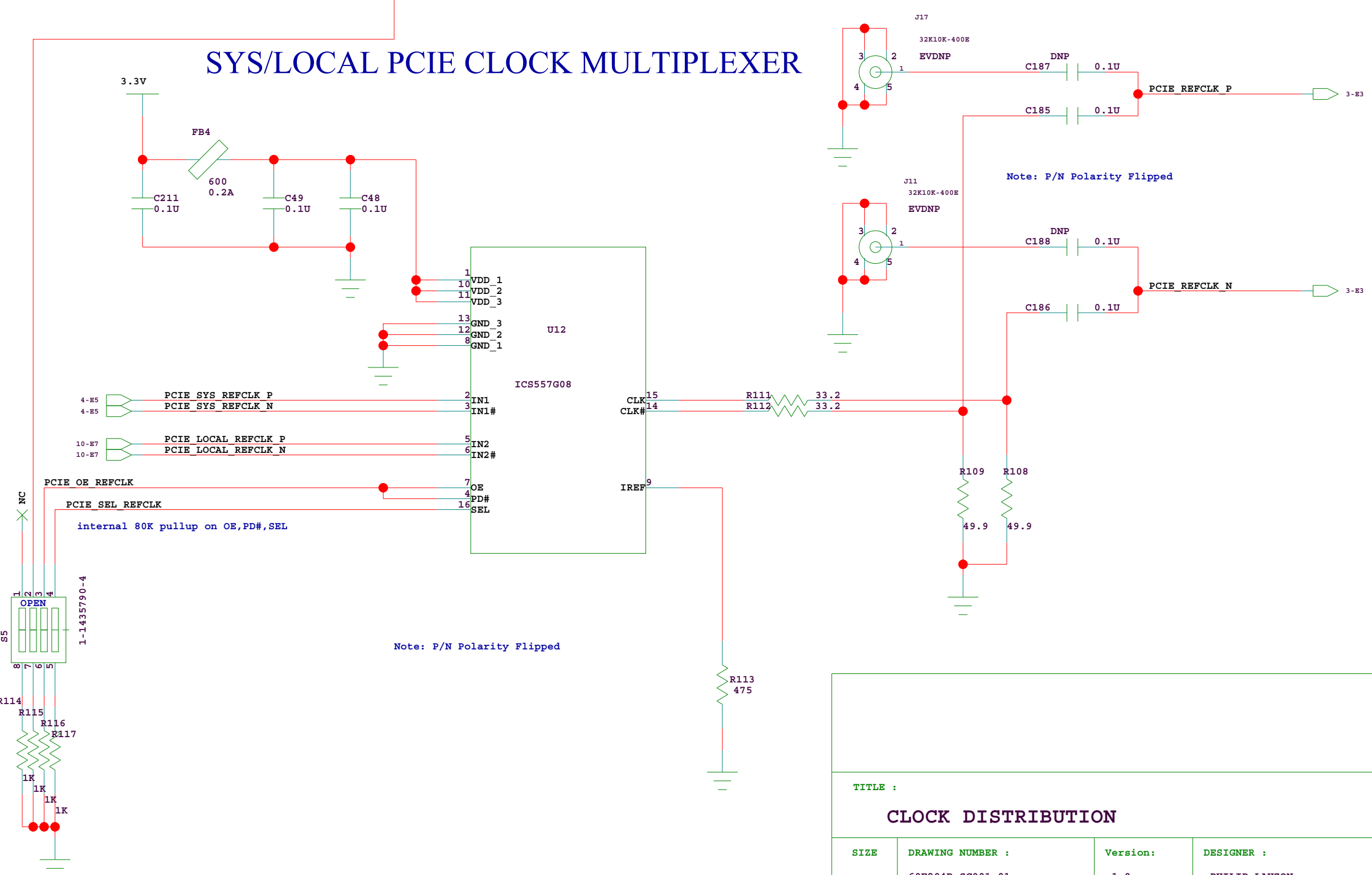
## PCI EXTERNAL CLOCK



## PCIe LOCAL CLOCKGEN



## SYS/LOCAL PCIe CLOCK MULTIPLEXER



Frequency Select (ICS87604I)

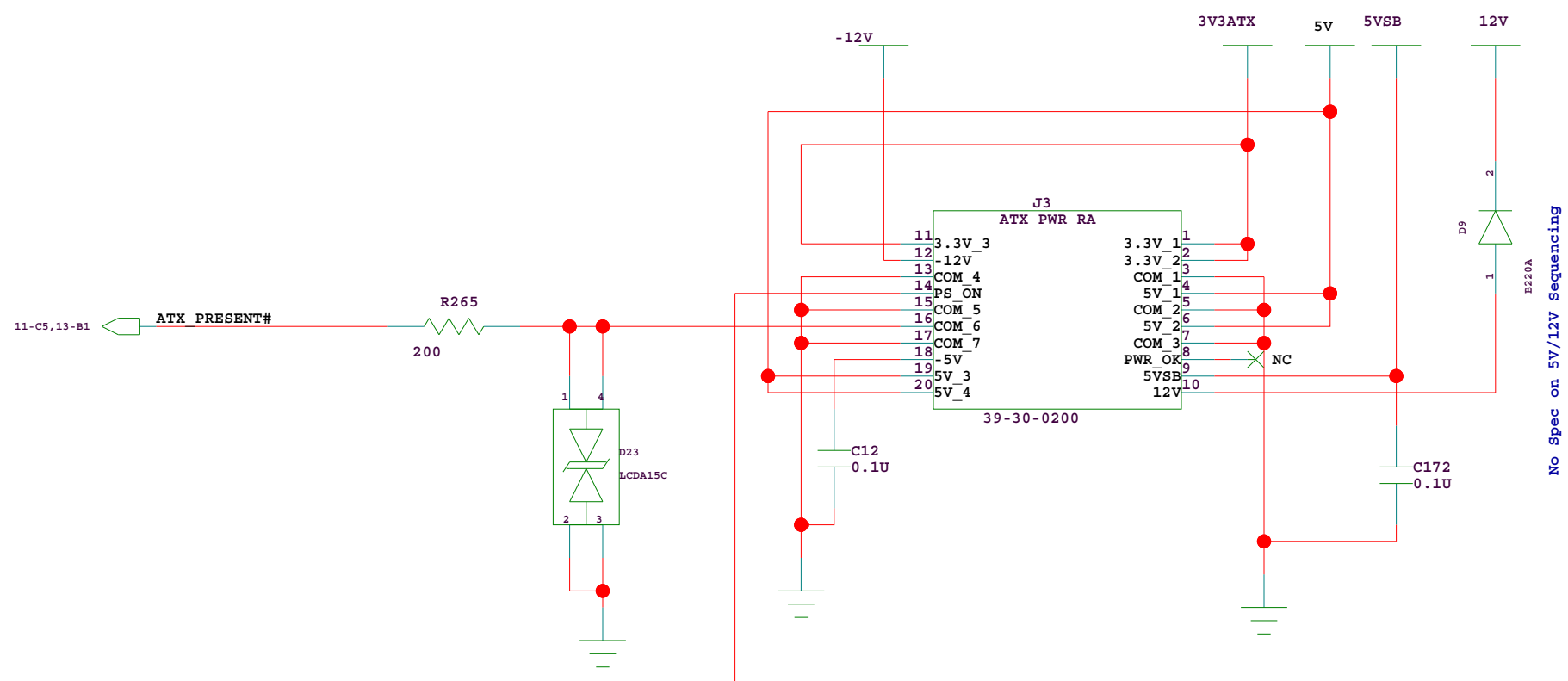
FBDIV_SEL[0:1]	DIV_SEL[0:1]	OUTPUT
0:0	0:0	100Mhz
0:0	1:0	50Mhz
0:0	1:1	25Mhz
0:1	0:0	133Mhz
0:1	1:0	66Mhz
0:1	1:1	33Mhz

Place resistors near CY2305

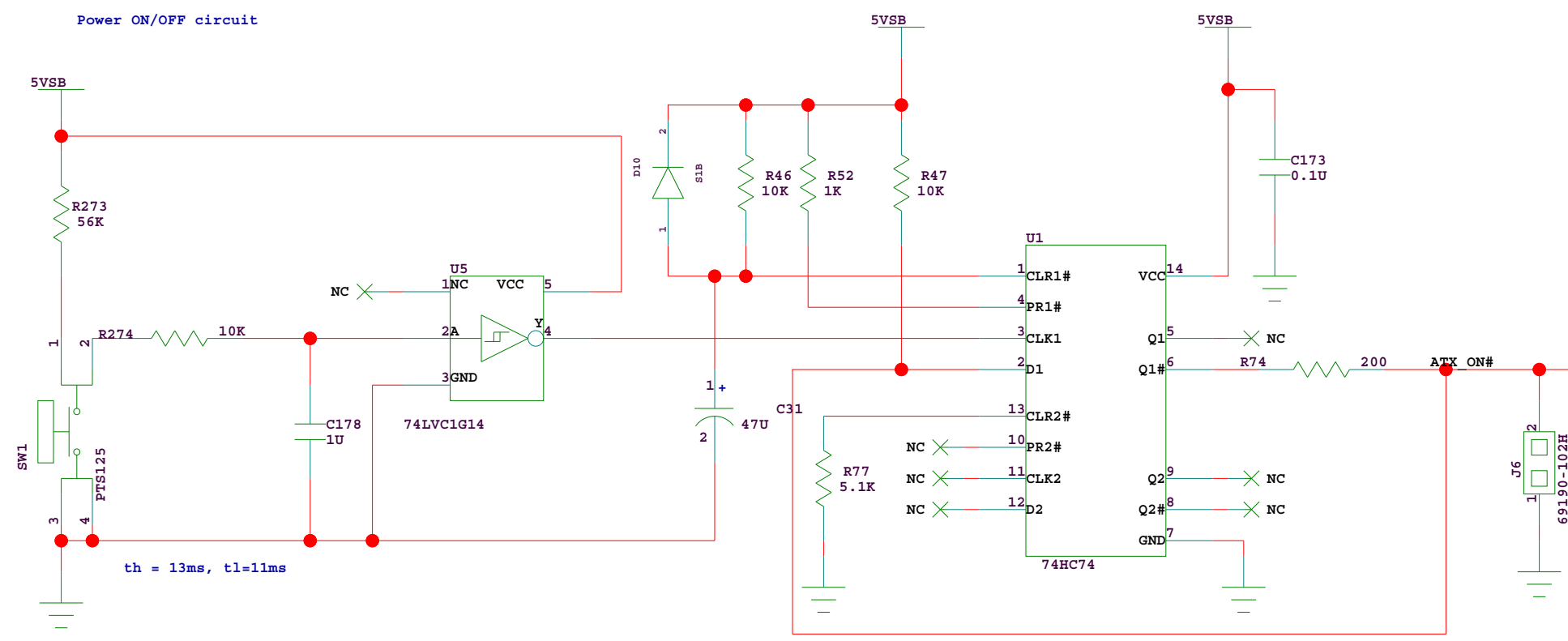
TITLE : <b>CLOCK DISTRIBUTION</b>			
SIZE <b>C</b>	DRAWING NUMBER : 60E204B_SC001_01	Version: 1.0	DESIGNER : PHILIP LAUZON
LAST MODIFIED DATE : 6-12-2008_15:42		SHEET 10 OF 15	

# POWER SOURCES

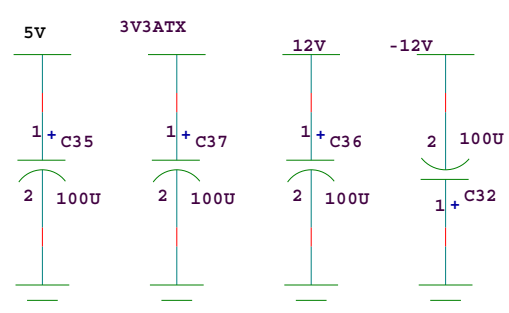
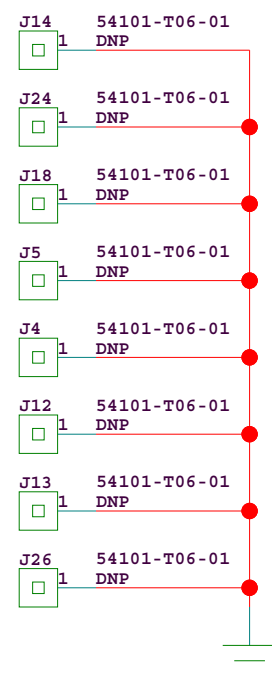
## ATX



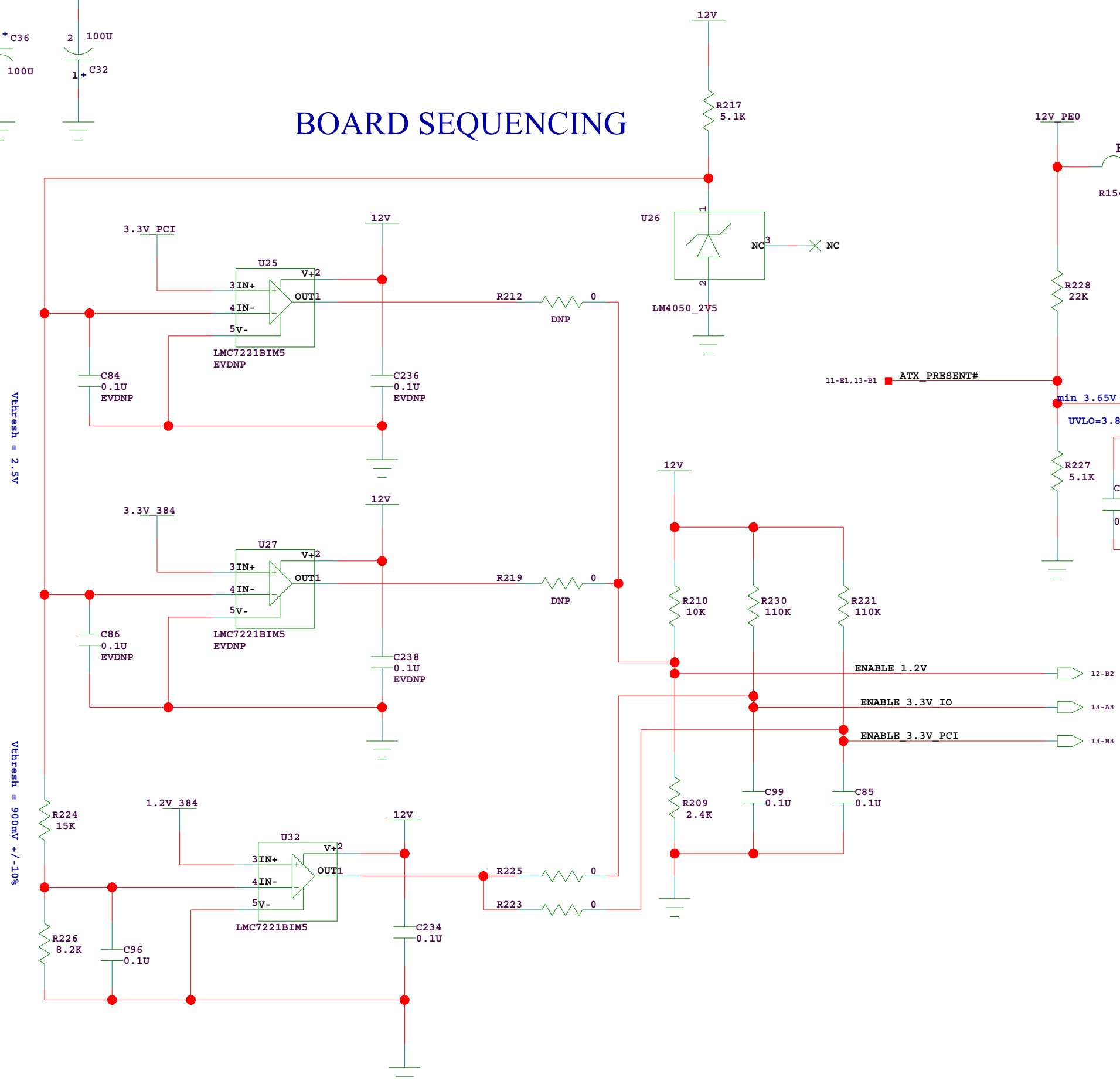
## ATX SUPPLY TOGGLE



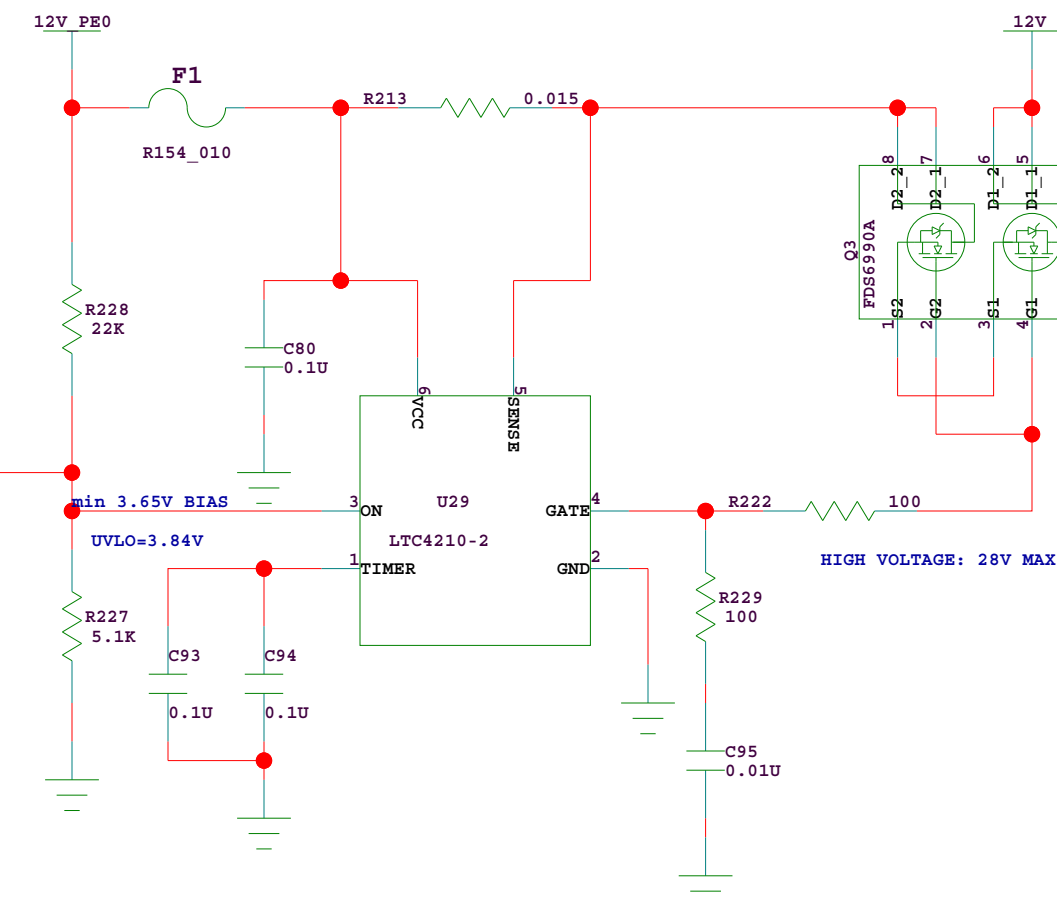
## GND TESTPOINTS



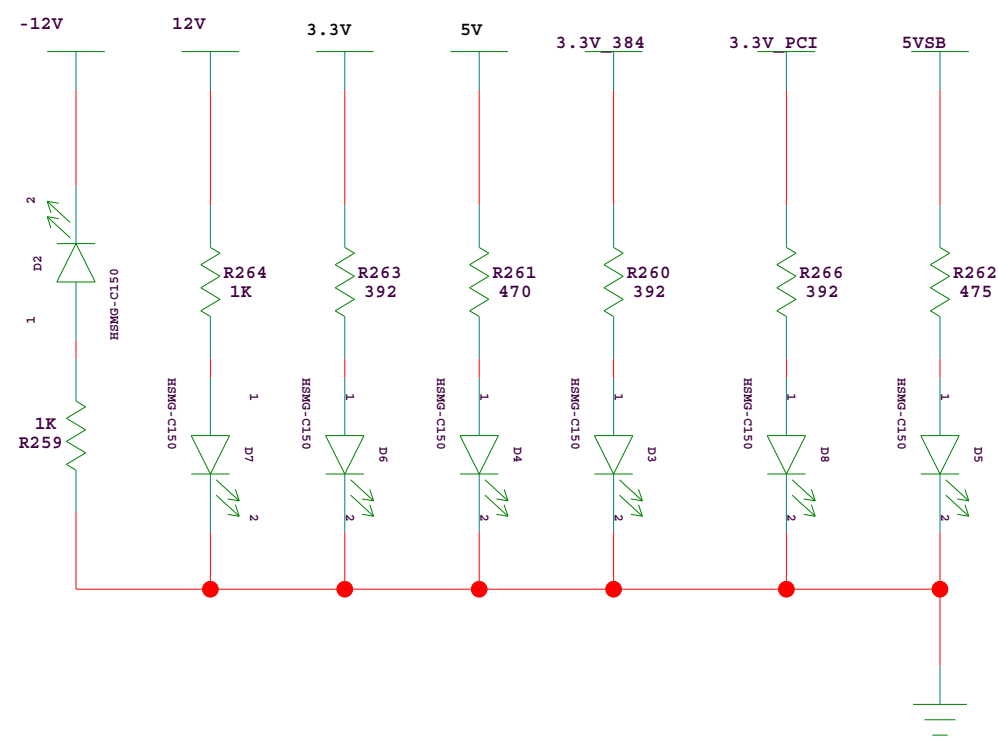
## BOARD SEQUENCING



## SYS SUPPLY SWITCH

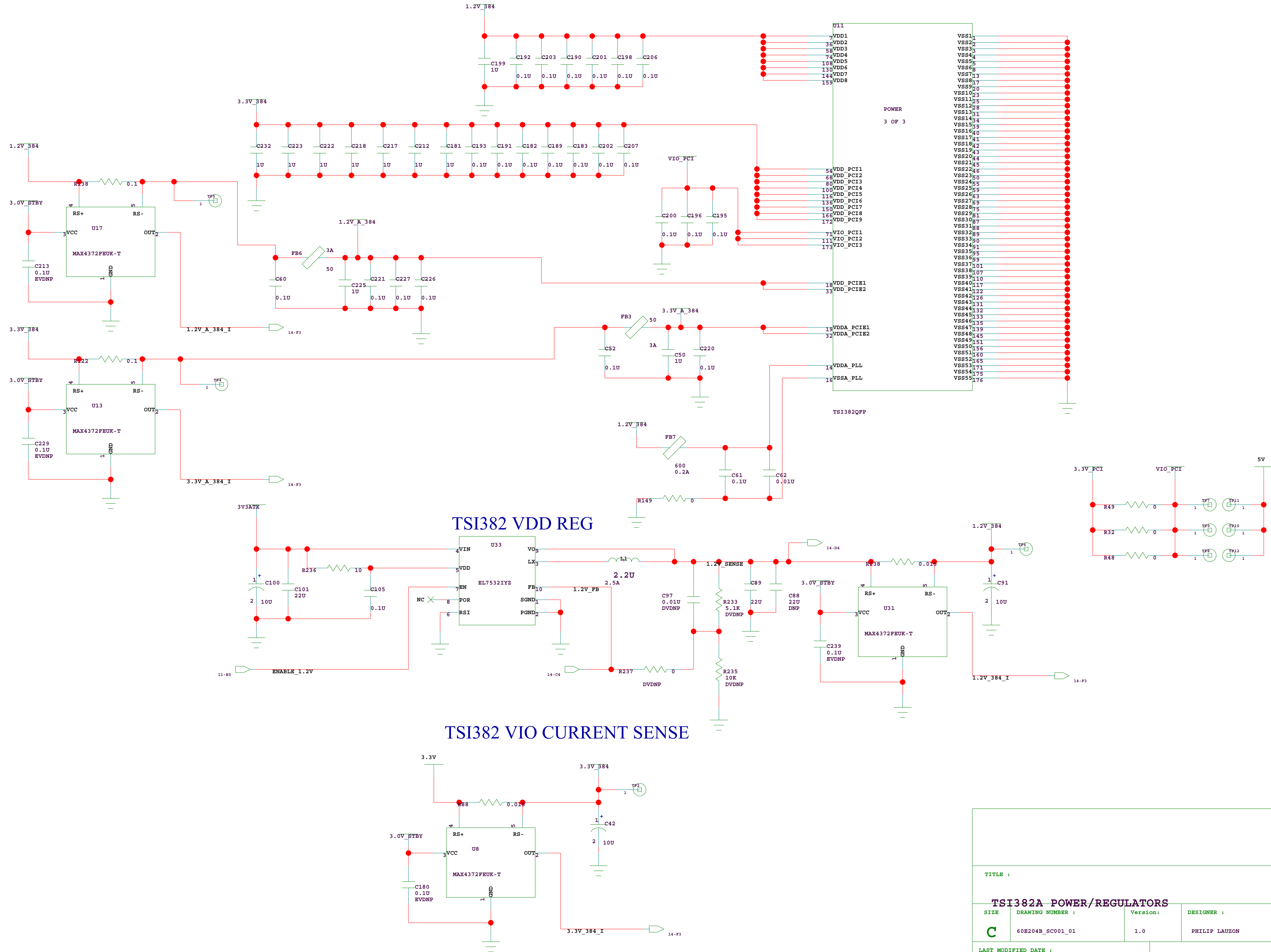


## POWER STATUS



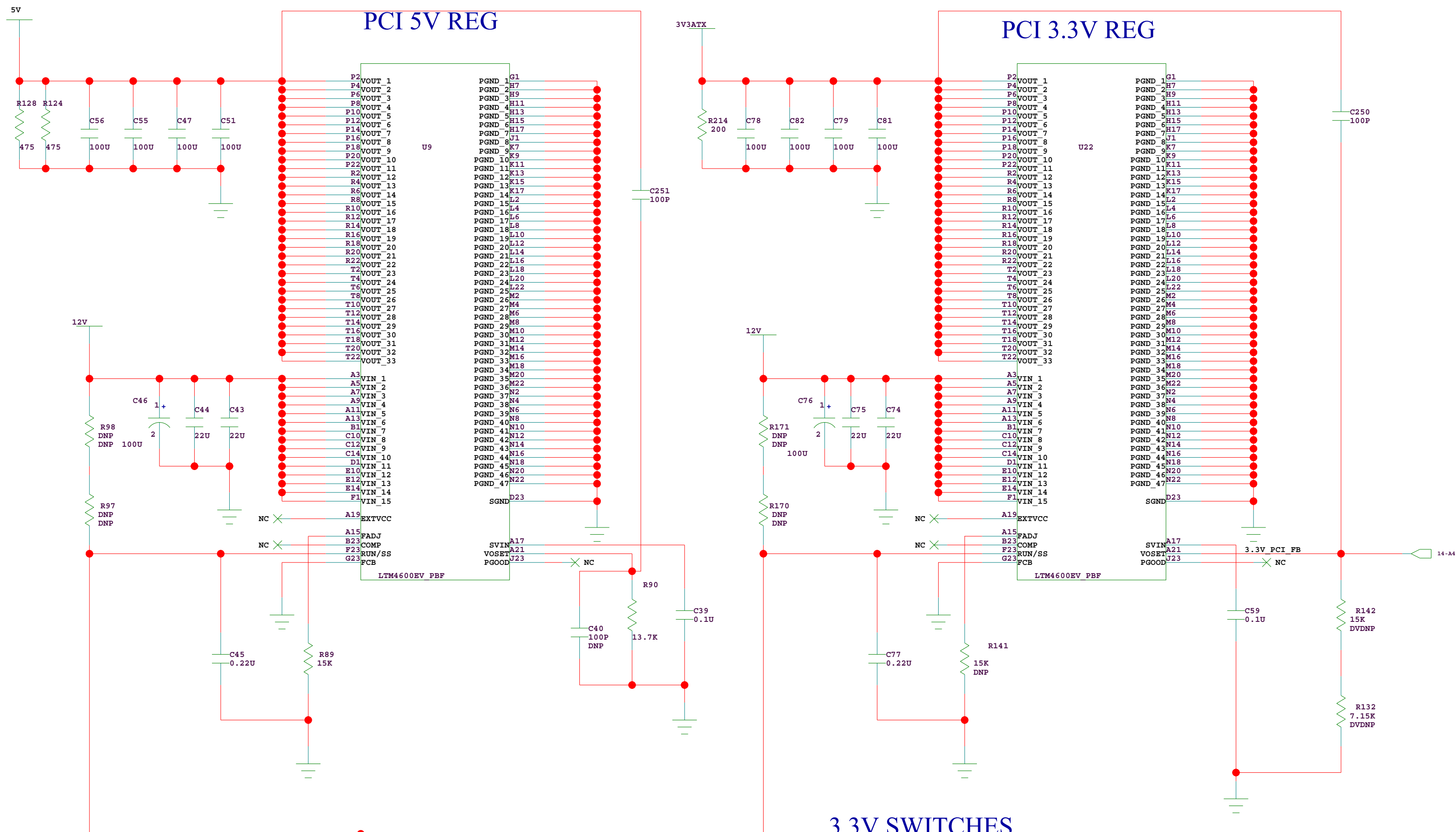
TITLE : POWER SOURCES			
SIZE C	DRAWING NUMBER : 60E204B_SC001_01	Version: 1.0	DESIGNER : PHILIP LAUZON
LAST MODIFIED DATE : 6-12-2008_15:42		SHEET 11 OF 15	

# TSI382A POWER/REGULATORS

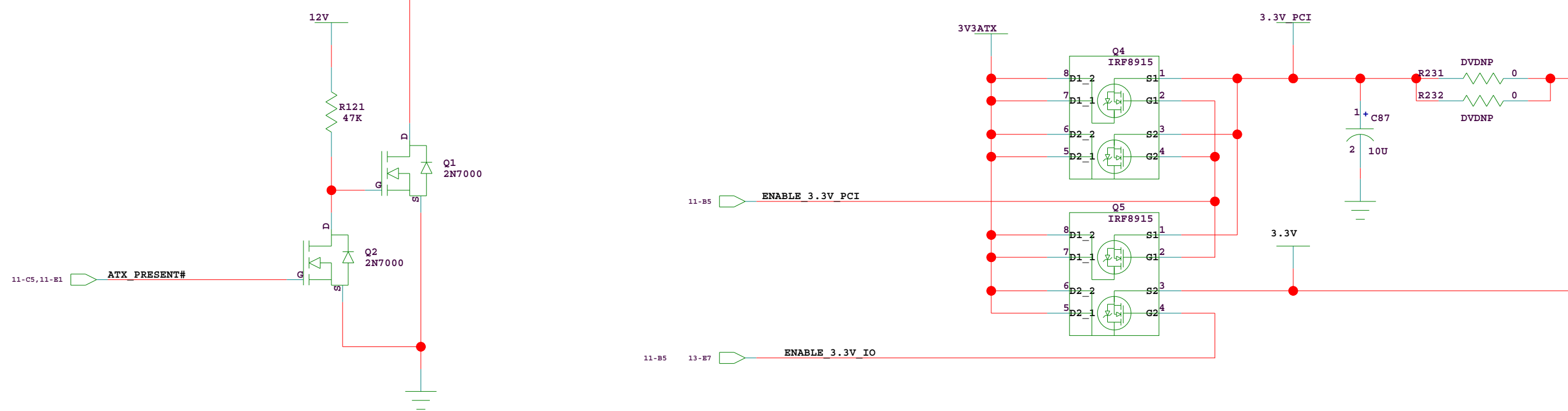


TITLE :			
TSI382A POWER/REGULATORS			
SIZE	DRAWING NUMBER :	Version:	DESIGNER :
C	60E204B_SC001_01	1.0	PHILIP LAUZON
LAST MODIFIED DATE :			SHEET
6-12-2008_15:42			12 OF 15

# PCI POWER REGULATORS



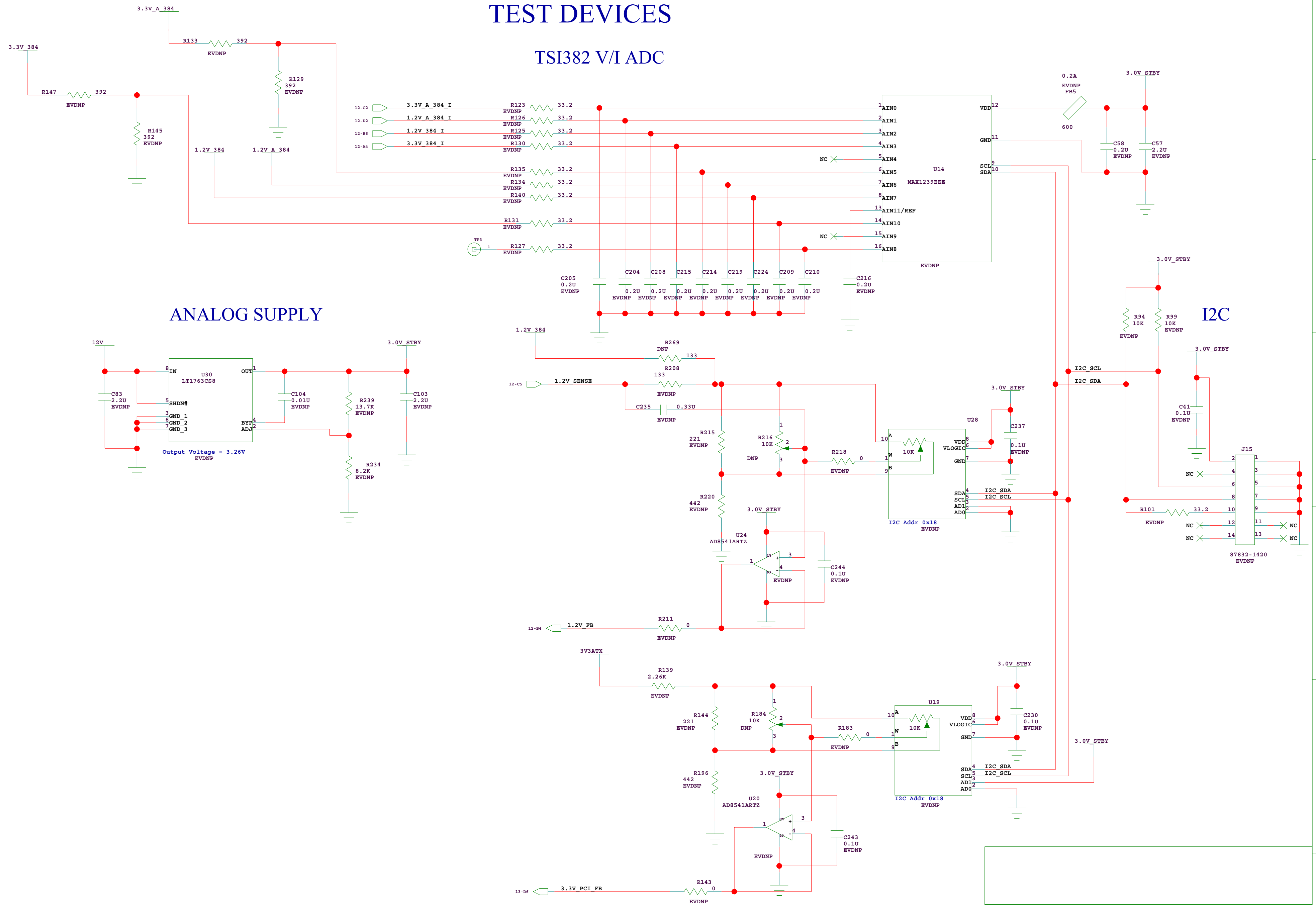
## 3.3V SWITCHES



TITLE :			
PCI POWER REGULATORS			
SIZE	DRAWING NUMBER :	Version:	DESIGNER :
C	60E204B_SCO01_01	1.0	PHILIP LAUZON
LAST MODIFIED DATE :			SHEET
6-12-2008_15:42			13 OF 15

# TEST DEVICES

## TSI382 V/I ADC

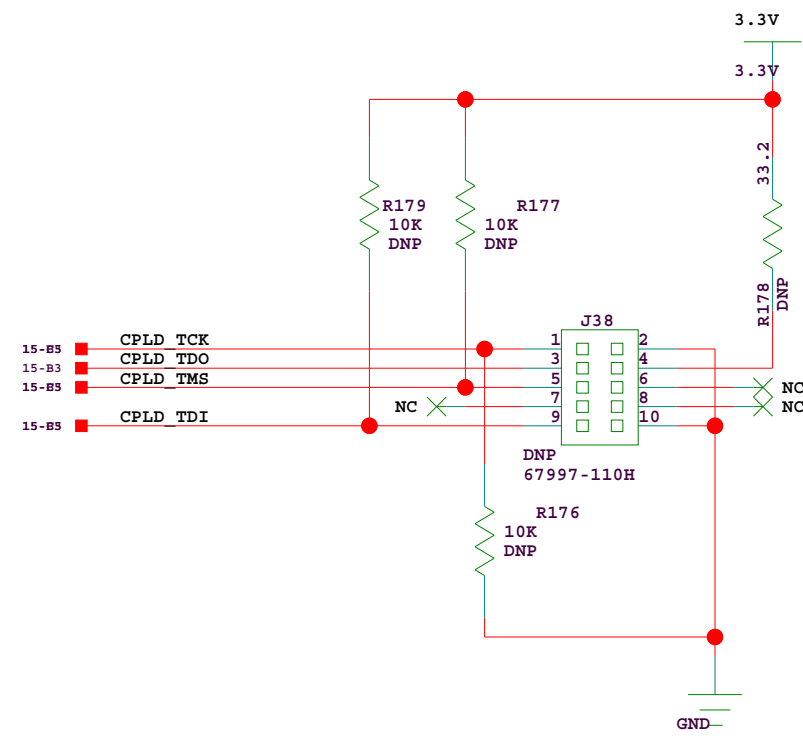


### ANALOG SUPPLY

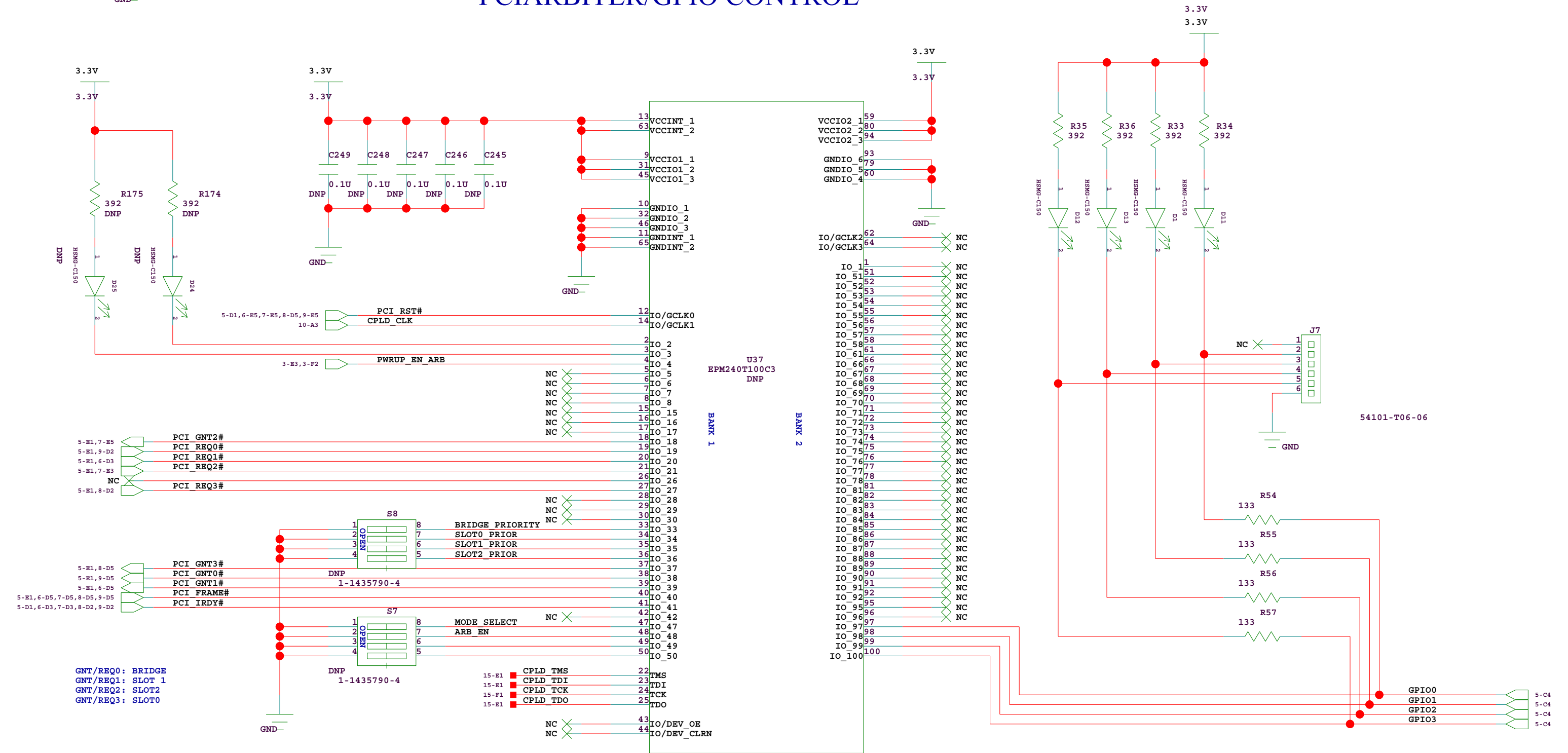
### I2C

TITLE :			
TEST DEVICES			
SIZE	DRAWING NUMBER :	Version:	DESIGNER :
C	60E204B_SCO01_01	1.0	PHILIP LAUZON
LAST MODIFIED DATE :			SHEET
6-12-2008_15:42			14 OF 15

# TEST DEVICES CONT'D



## PCIARBITER/GPIO CONTROL



TITLE :			
TEST DEVICES CONT'D			
SIZE	DRAWING NUMBER :	Version:	DESIGNER :
C	60E204B_SCO01_01	1.0	PHILIP LAUZON
LAST MODIFIED DATE :		SHEET	
6-12-2008_15:42		15 OF 15	