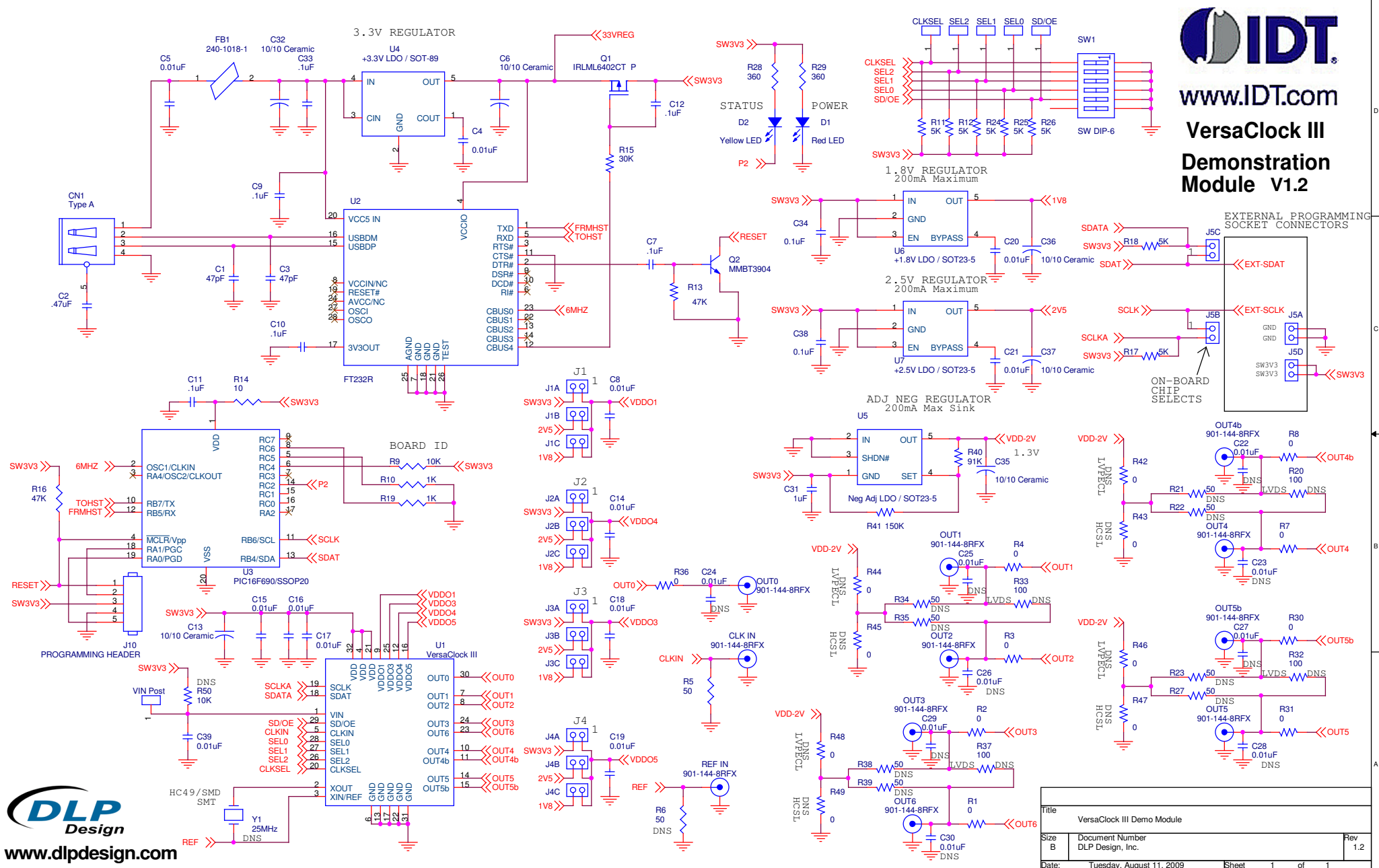




www.IDT.com

VersaClock III Demonstration Module V1.2



| | | |
|-------------------------------------|-------------------------------------|------------|
| Title VersaClock III Demo Module | | |
| Size B | Document Number DLP Design, Inc. | Rev 1.2 |
| Date: Tuesday, August 11, 2009 | Sheet 1 | of 1 |