

## Description

The HXR4101A is a low-power, high-performance, dual-band limiting TIA. The HXR4101A implements all the functionalities that are traditionally shared between a TIA and a separate LIA chip.

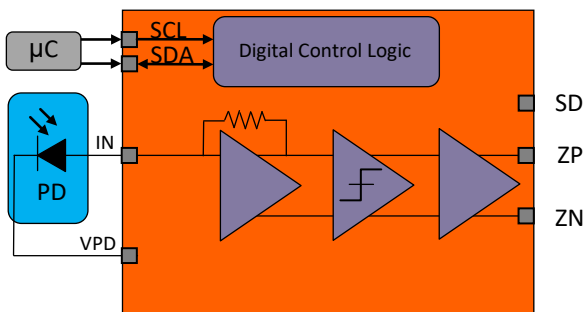
The HXR4101A can be used in stand-alone mode (no microcontroller need), or in an I<sup>2</sup>C-controlled mode. The I<sup>2</sup>C interface and the embedded monitoring circuits enable fully programmable OSAs with co-packaged PD and receiver, for various applications such as low-power SFP+ modules using *Smart TO-cans*<sup>®</sup>.

Both operational modes require a small number of additional components resulting in low cost, compact, high-yield assemblies.

## Features

- 18.5μApp input sensitivity at 10.3Gbps
- 95mW typ. power consumption in high performance mode
- < 80mW in low power 10.3Gbps mode
- Large Gain (20kΩ minimum)
- Bandwidth selection enabling data rates from 2 to 14 Gbps
- LIA / AGC for large dynamic range
- Line driver with output swing selection
- A/D read-out of temperature, RSSI information
- Adjustable pre-emphasis circuit
- Squelch circuit
- I<sup>2</sup>C control interface
- Stand-alone mode for a operation without microcontroller

## Block Diagram



## Typical Applications

- OC-192/STM-64 Transmission Systems
- 10GBASE-SR/LR/ER/ZR
- 2G/4G/8G/16G Fibre Channel
- USB 4.0 Active Optical Cables
- SONET OC-192 with dual FEC
- Avionic optical interconnects



Corporate Headquarters  
6024 Silver Creek Valley Road  
San Jose, CA 95138  
[www.IDT.com](http://www.IDT.com)

Sales  
1-800-345-7015 or 408-284-8200  
Fax: 408-284-2775  
[www.IDT.com/go/sales](http://www.IDT.com/go/sales)

Tech Support  
[www.IDT.com/go/support](http://www.IDT.com/go/support)

DISCLAIMER Integrated Device Technology, Inc. (IDT) and its affiliated companies (herein referred to as "IDT") reserve the right to modify the products and/or specifications described herein at any time, without notice, at IDT's sole discretion. Performance specifications and operating parameters of the described products are determined in an independent state and are not guaranteed to perform the same way when installed in customer products. The information contained herein is provided without representation or warranty of any kind, whether express or implied, including, but not limited to, the suitability of IDT's products for any particular purpose, an implied warranty of merchantability, or non-infringement of the intellectual property rights of others. This document is presented only as a guide and does not convey any license under intellectual property rights of IDT or any third parties.

IDT's products are not intended for use in applications involving extreme environmental conditions or in life support systems or similar devices where the failure or malfunction of an IDT product can be reasonably expected to significantly affect the health or safety of users. Anyone using an IDT product in such a manner does so at their own risk, absent an express, written agreement by IDT.

Integrated Device Technology, IDT and the IDT logo are trademarks or registered trademarks of IDT and its subsidiaries in the United States and other countries. Other trademarks used herein are the property of IDT or their respective third party owners. For datasheet type definitions and a glossary of common terms, visit [www.idt.com/go/glossary](http://www.idt.com/go/glossary). All contents of this document are copyright of Integrated Device Technology, Inc. All rights reserved.